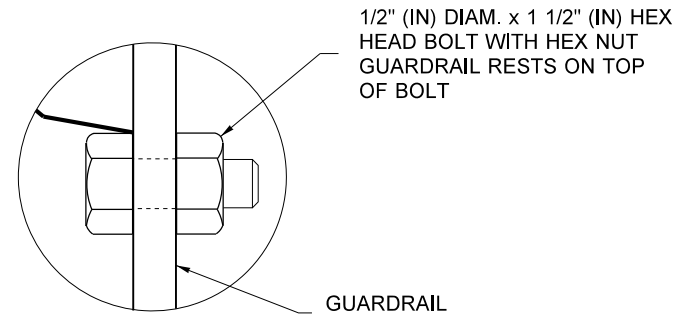
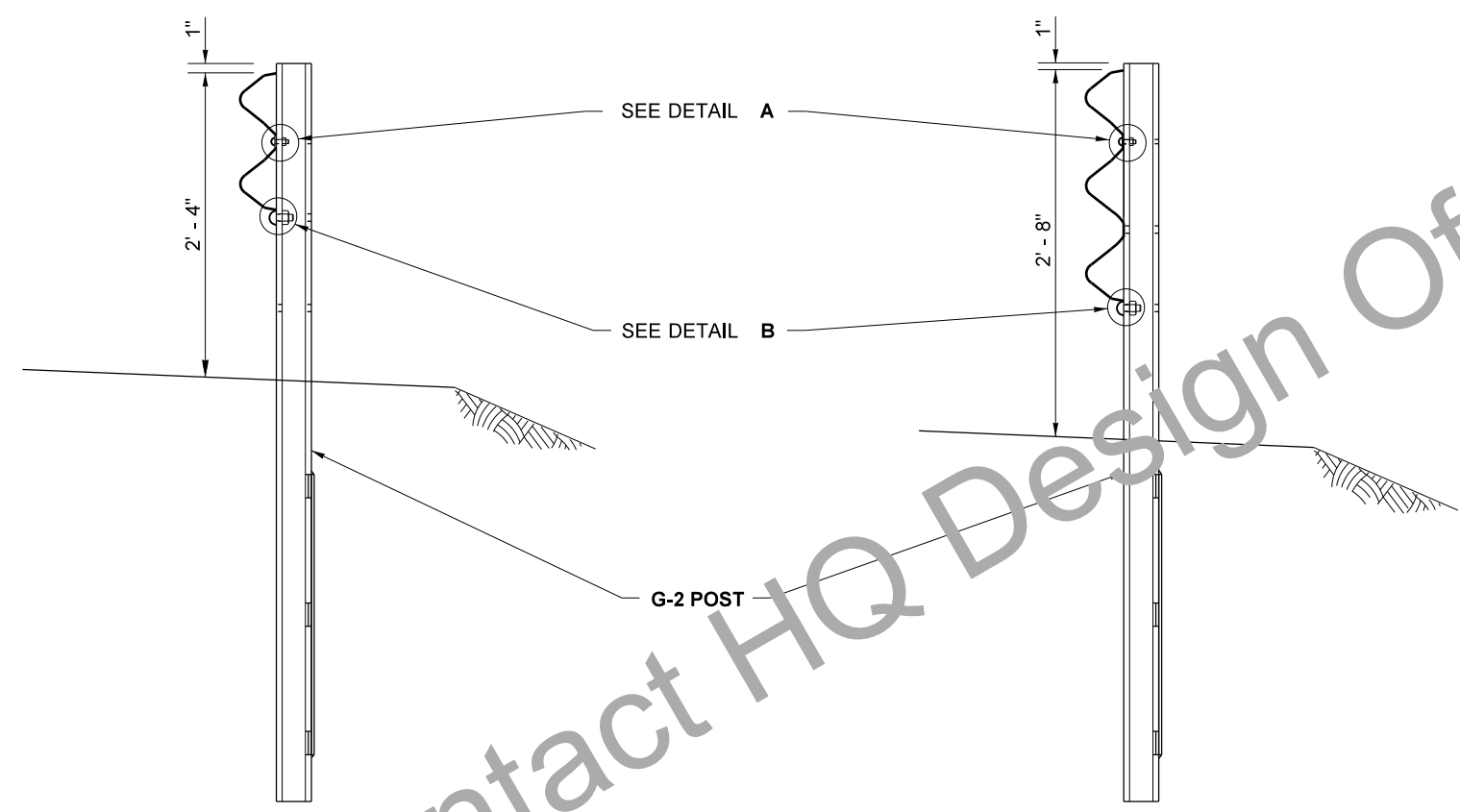


DETAIL A

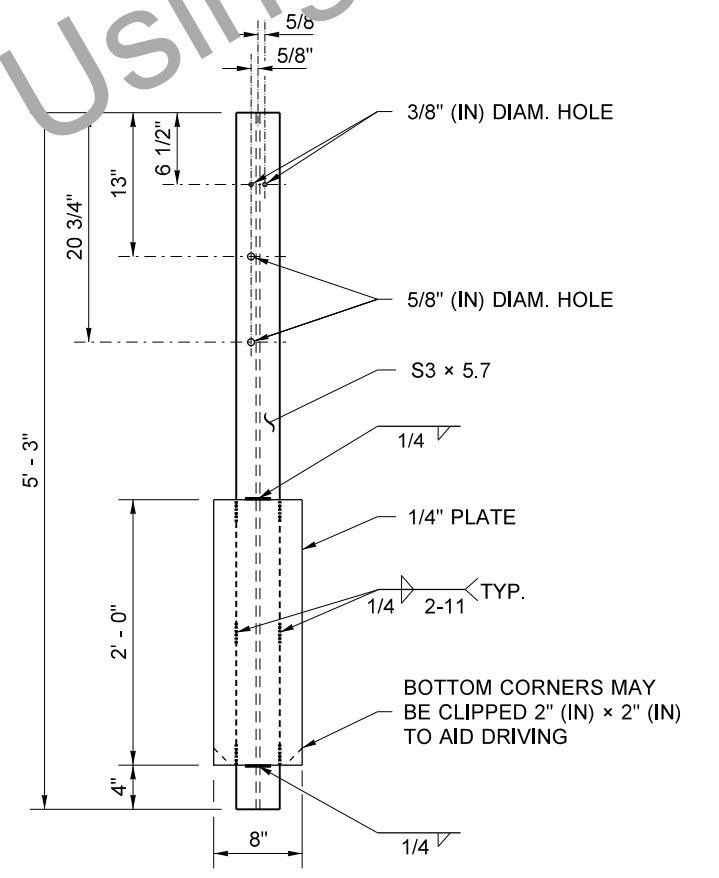


DETAIL B



TYPE 20

TYPE 21



G-2 POST

BEAM GUARDRAIL TYPE 20 & 21

FILE NAME		S:\Design R P & S\4-Standards\2-Plan Sheet Library\01-Published PSL\TB Traffic Barrier(TB-C series) plans converted\TB-55\TB-55.dgn		REGION NO.		STATE		FED.AID PROJ.NO.		Plot 1	
TIME		10:48:05 AM		10		WASH				PLAN REF NO	
DATE		9/6/2018								TB-55	
PLOTTED BY		liddelf		JOB NUMBER						SHEET	
DESIGNED BY				CONTRACT NO.		LOCATION NO.				1	
ENTERED BY										OF	
CHECKED BY										1	
PROJ. ENGR.										SHEETS	
REGIONAL ADM.		REVISION		DATE		BY		DATE			
								P.E. STAMP BOX			

