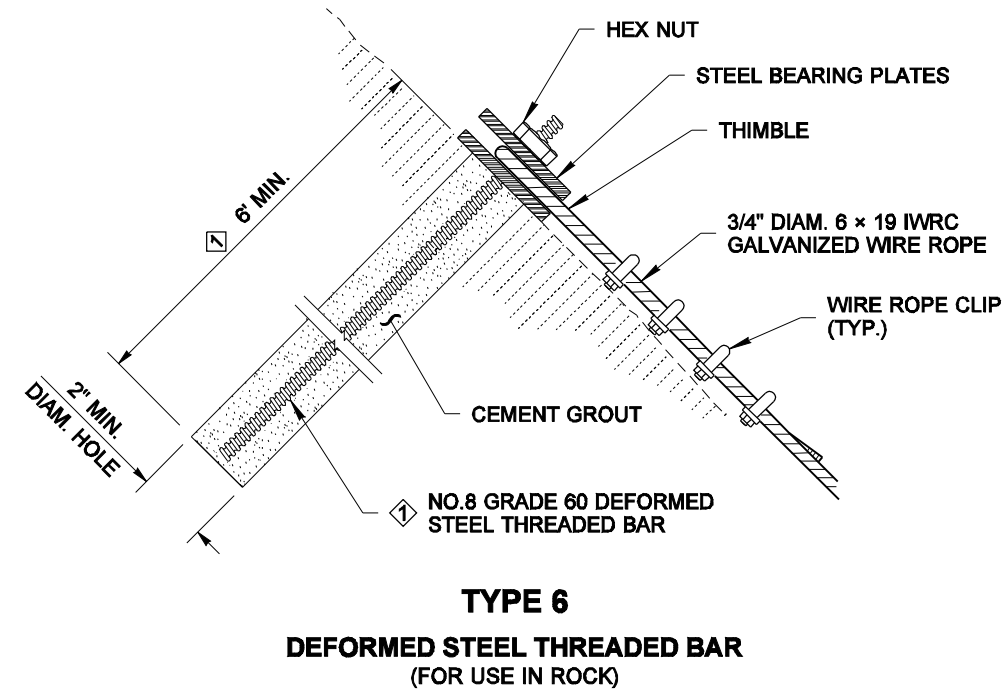
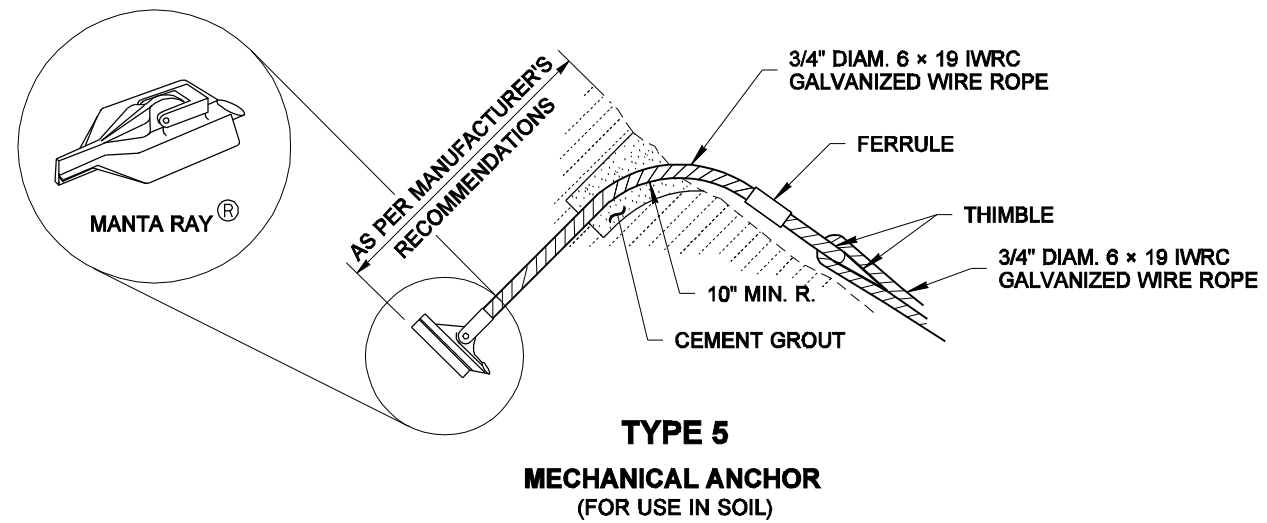
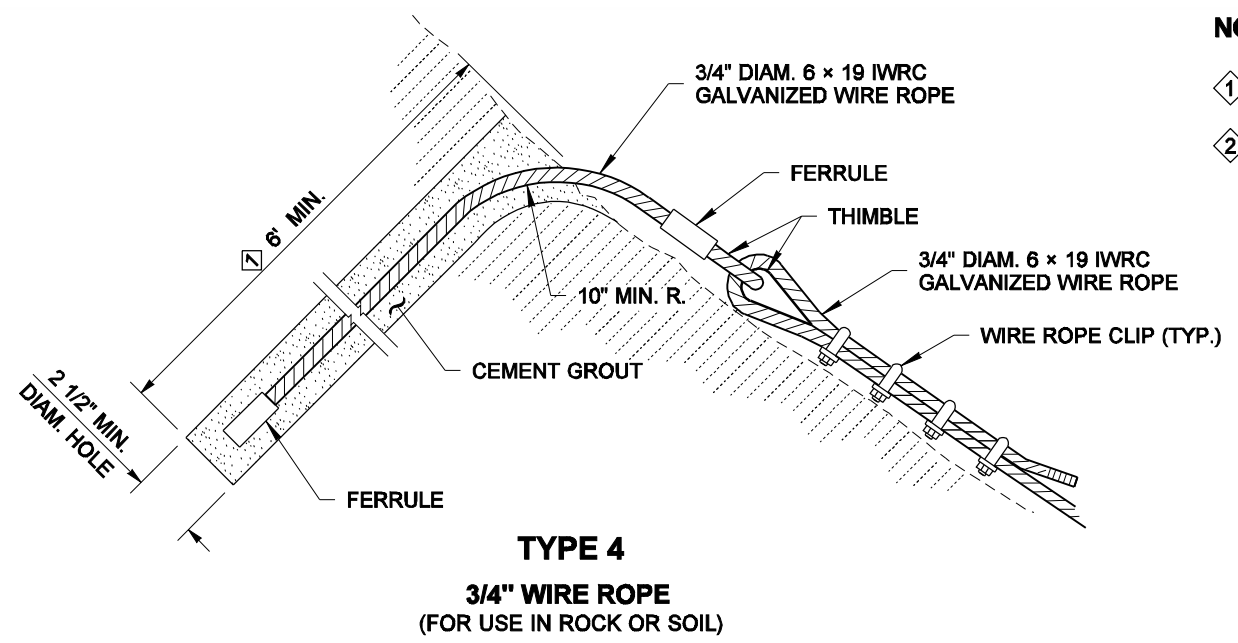
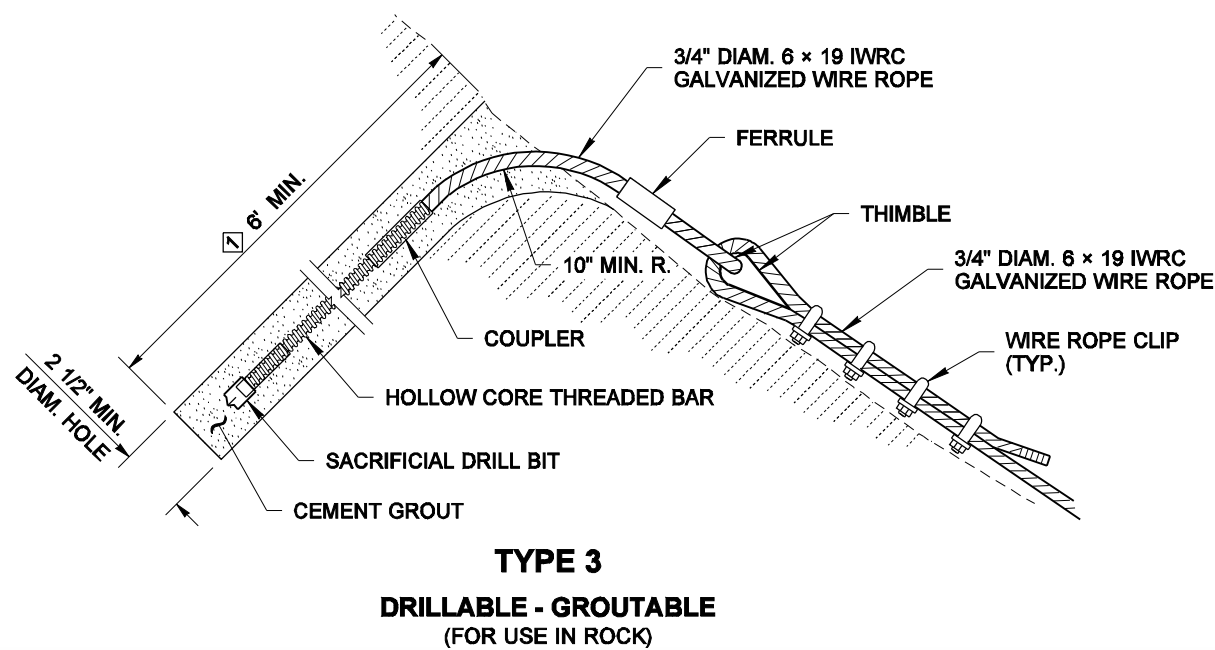
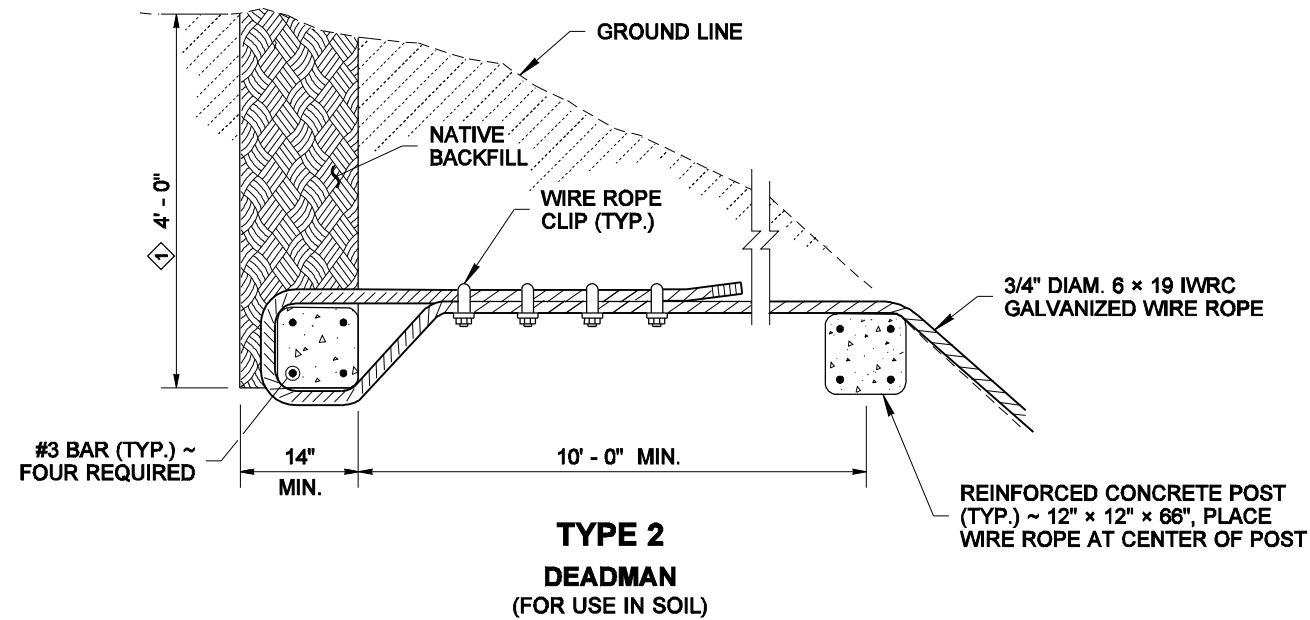
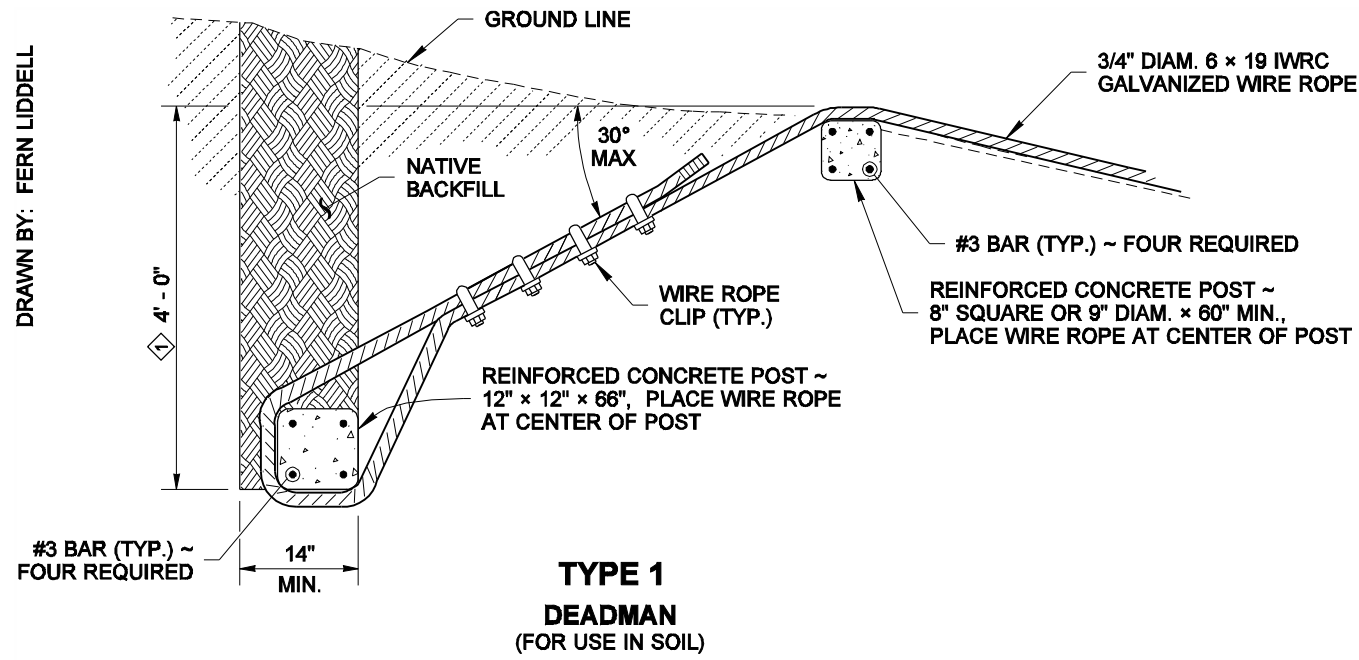
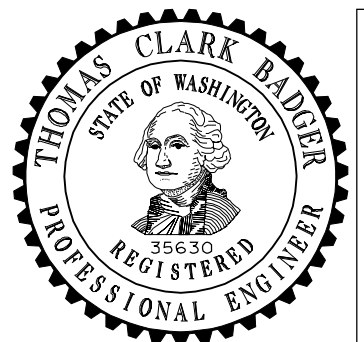


DRAWN BY: FERN LIDDELL



**NOTES**

- ① SUGGESTED MINIMUM DEPTH
- ② MINIMUM ALLOWABLE ANCHOR CAPACITY SHALL BE 20,000 LBS.



EXPIRES NOVEMBER 8, 2007

NOTE: THIS PLAN IS NOT A LEGAL ENGINEERING DOCUMENT UNTIL AN ELECTRONIC OR ORIGINAL COPY IS FILED AT THE WASHINGTON STATE DEPARTMENT OF TRANSPORTATION. A COPY MAY BE OBTAINED UPON REQUEST.

**SLOPE PROTECTION ANCHORS**  
**STANDARD PLAN A-30.35-00**

SHEET 1 OF 1 SHEET

APPROVED FOR PUBLICATION

**Pasco Bakotich III** 10-12-07  
 STATE DESIGN ENGINEER DATE

