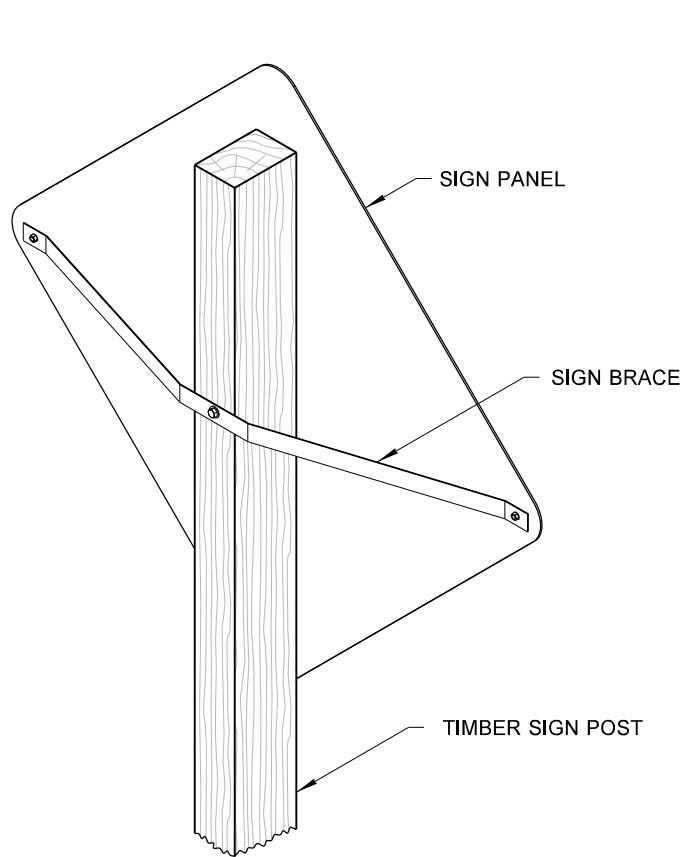
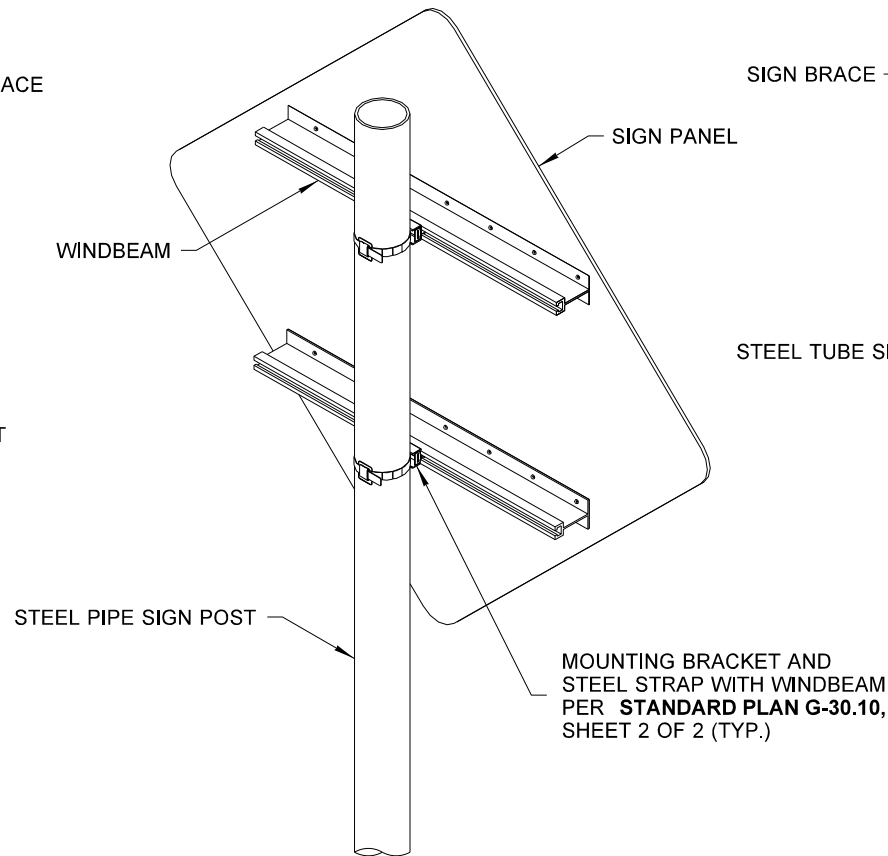


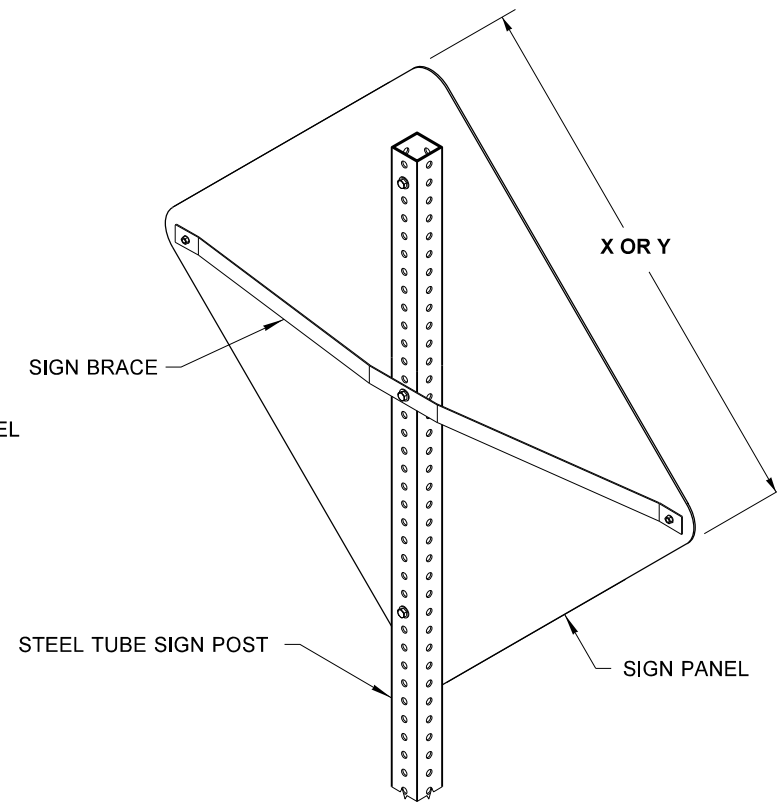
DRAWN BY: FERN LIDDELL



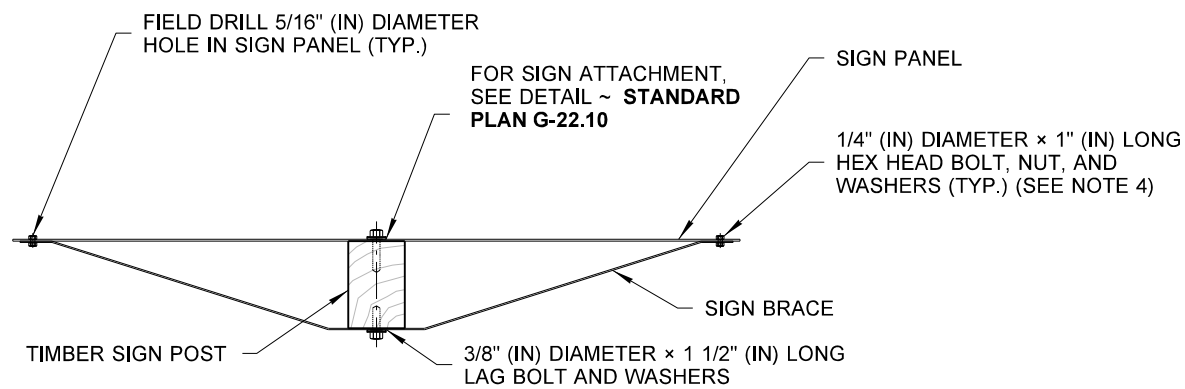
**SIGN BRACE ON TIMBER POST**



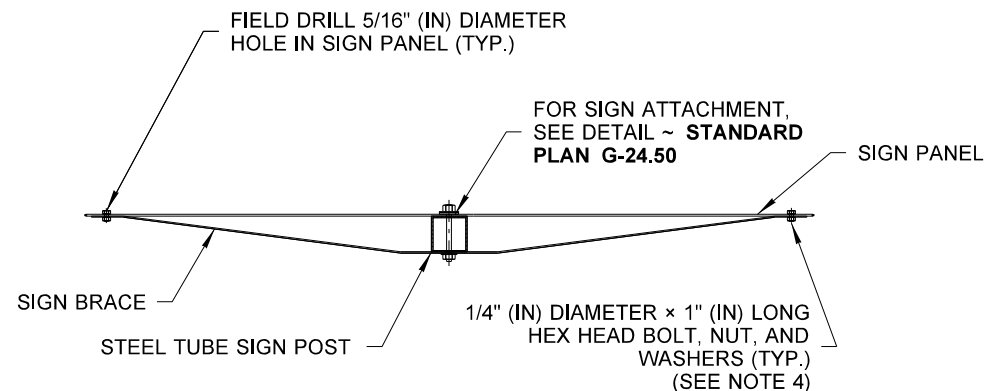
**SIGN BRACE ON STEEL PIPE**



**SIGN BRACE ON STEEL TUBE**



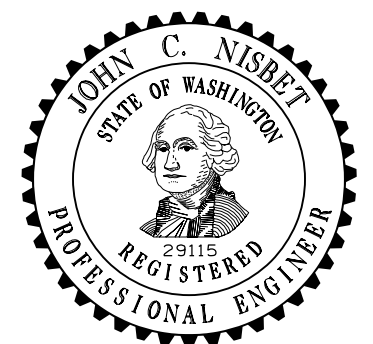
**PLAN**



**PLAN**

**NOTES**

1. Mounting brackets with steel straps shall be a stainless steel band and buckle system product or an approved equal. Mounting brackets shall be one bolt, flared leg; steel straps shall be 3/4" (in) wide and 0.030" (in) thick.
2. Sign braces are required for sign widths of 48" (in) or greater. For sign widths of 36" (in) or less, sign braces are only required when specified in the contract.
3. Sign braces are typically necessary on large sign panels that are exposed to high winds, traffic generated wind buffeting, or when snow thrown from plows might impact the sign.
4. A nylon washer shall be placed between the sign and the steel washer when the sign face has Type III, IV, VII or IX sheeting.
5. Signs 48" (in) or greater can be pinned together, back to back.
6. For signs installed back to back on a single post, no bracing is required.



**SIGN BRACING**

**STANDARD PLAN G-50.10-03**

SHEET 1 OF 2 SHEETS

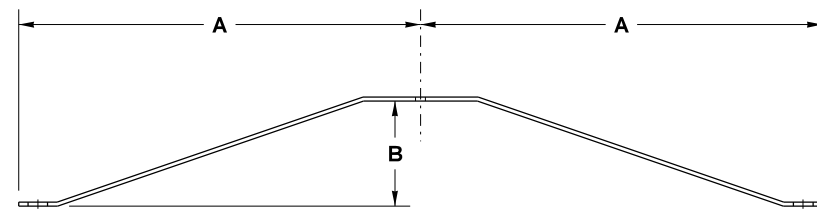
APPROVED FOR PUBLICATION

DRAWN BY: FERN LIDDELL

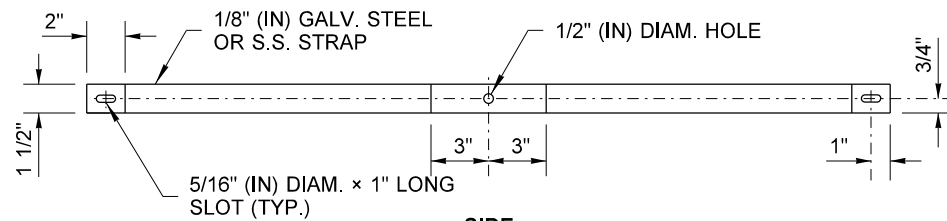
SIGN BRACE DIMENSIONS				
	SIGN TYPE			
	YIELD	DIAMOND-SHAPED	OTHERS	
A	1/3 SIGN WIDTH - 1 3/4"	1/2 SIGN WIDTH - 2 1/4"	1/2 SIGN WIDTH - 1"	
	SIGN POST TYPE			
	4x6 OR 6x6 TIMBER POST	6x8 TIMBER POST	3" DIAM. STEEL PIPE	2 1/2" SQUARE TUBE
B	5 1/2"	7 1/2"	4 3/4"	2 1/2"

**NOTE**

- For sign installations on round steel posts, see **Standard Plan G-30.10, sheet 2 of 2.**

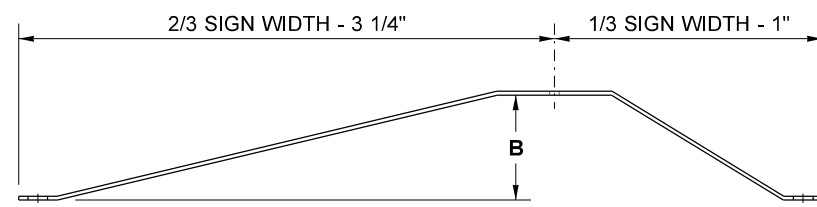


TOP

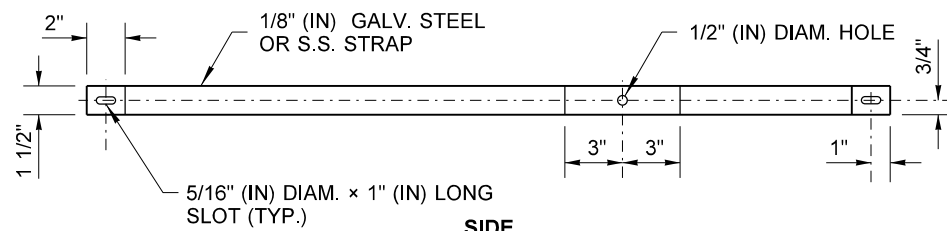


SIDE

**SIGN BRACE DETAIL**

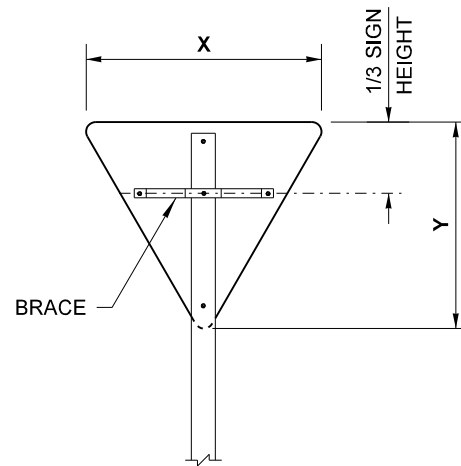


TOP

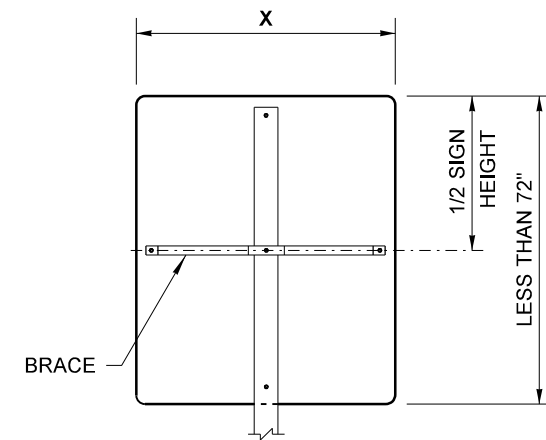


SIDE

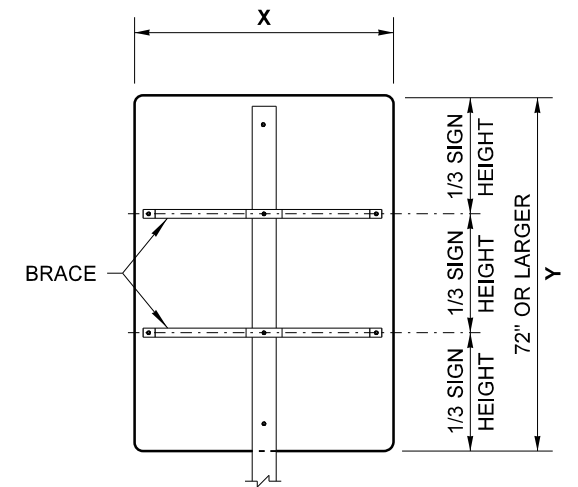
**NO PASSING ZONE  
SIGN BRACE DETAIL**



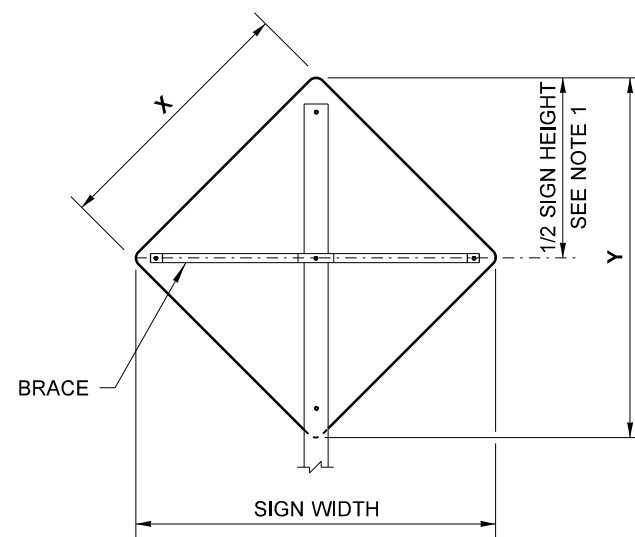
**YIELD SIGN**



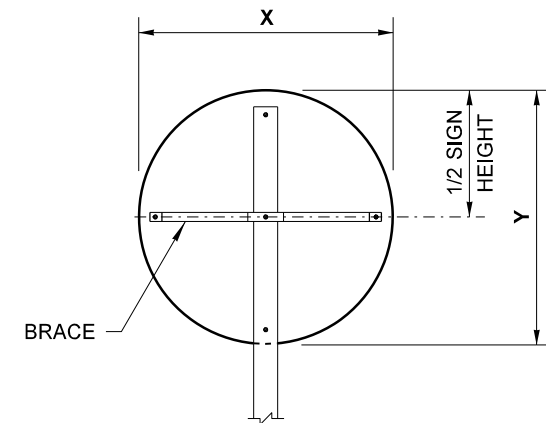
**SMALL RECTANGULAR SIGN**



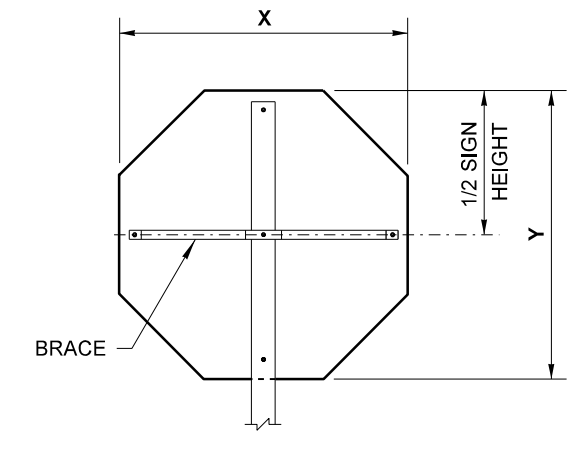
**LARGE RECTANGULAR SIGN**



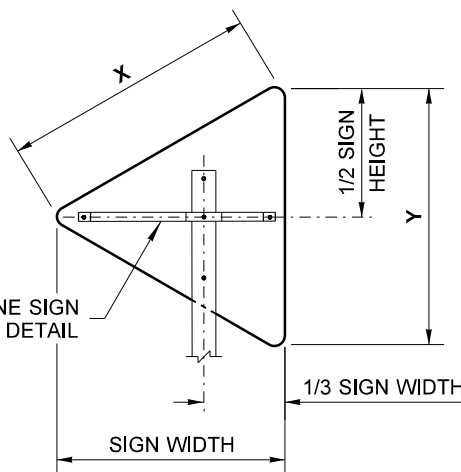
**DIAMOND-SHAPED SIGN**



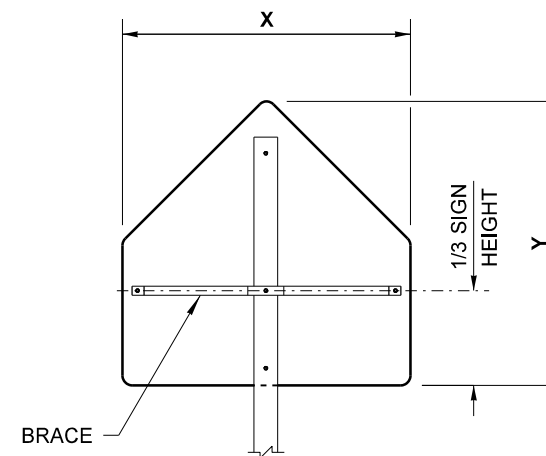
**RAILROAD WARNING SIGN**



**STOP SIGN**



**NO PASSING ZONE SIGN**



**SCHOOL ZONE SIGN**

**SIGN BRACE PLACEMENT**



**SIGN BRACING**

**STANDARD PLAN G-50.10-03**

SHEET 2 OF 2 SHEETS

APPROVED FOR PUBLICATION