

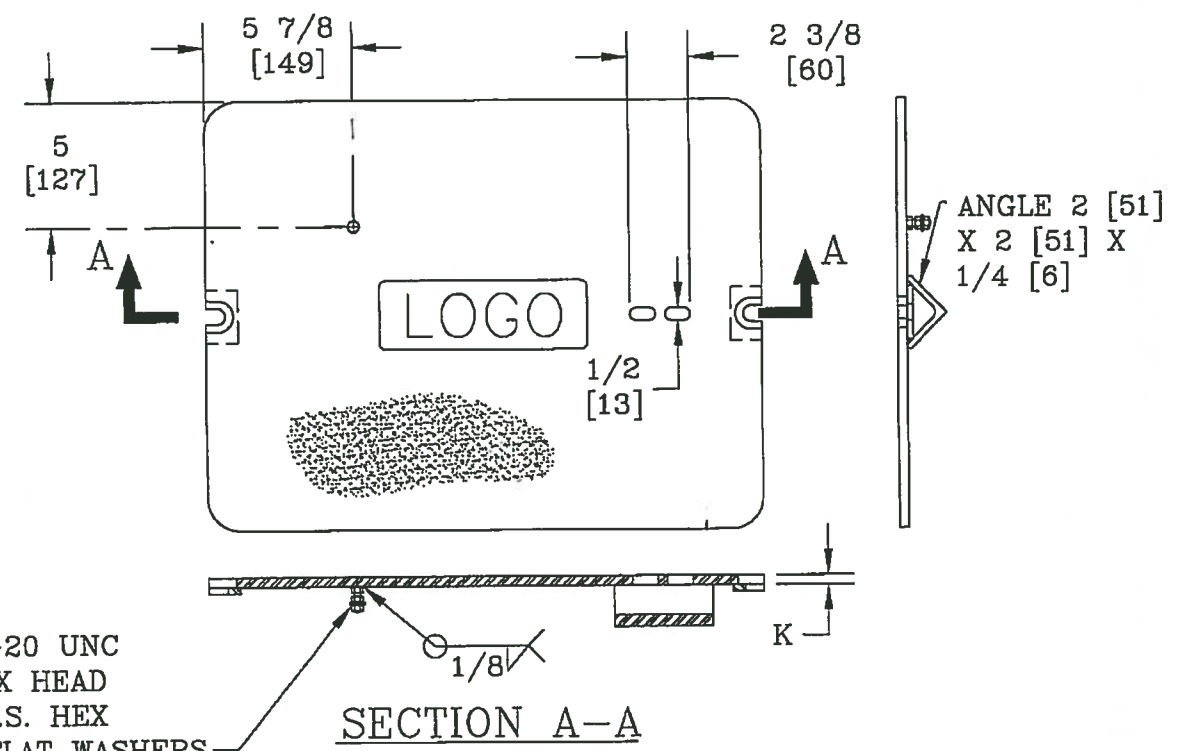
2X 3/8-7 X 2 [51] LONG
S.S. PENTA HEAD AUGER
GRADE 2 BOLT

ø3/8 [10] S.S.
FLAT WASHER

STENCIL ON THE BOTTOM OF THE
COVER THE YEAR OF MANUFACTURE
AND MEBAC TREATMENT ("M1" FOR
MEBAC#1 OR "S3" FOR SLIPNOT GRADE
3-COURSE). STENCIL TO BE 1/8 [3] X
1 [25] STAINLESS STEEL WELD BEAD.

MEBAC COATING FOR
SKID RESISTANT SURFACE

GROUNDING STUD: 1/4-20 UNC
X 1 [25] LONG S.S. HEX HEAD
BOLT W/ (2) 1/4-20 S.S. HEX
NUTS & (2) ø1/4 [6] FLAT WASHERS



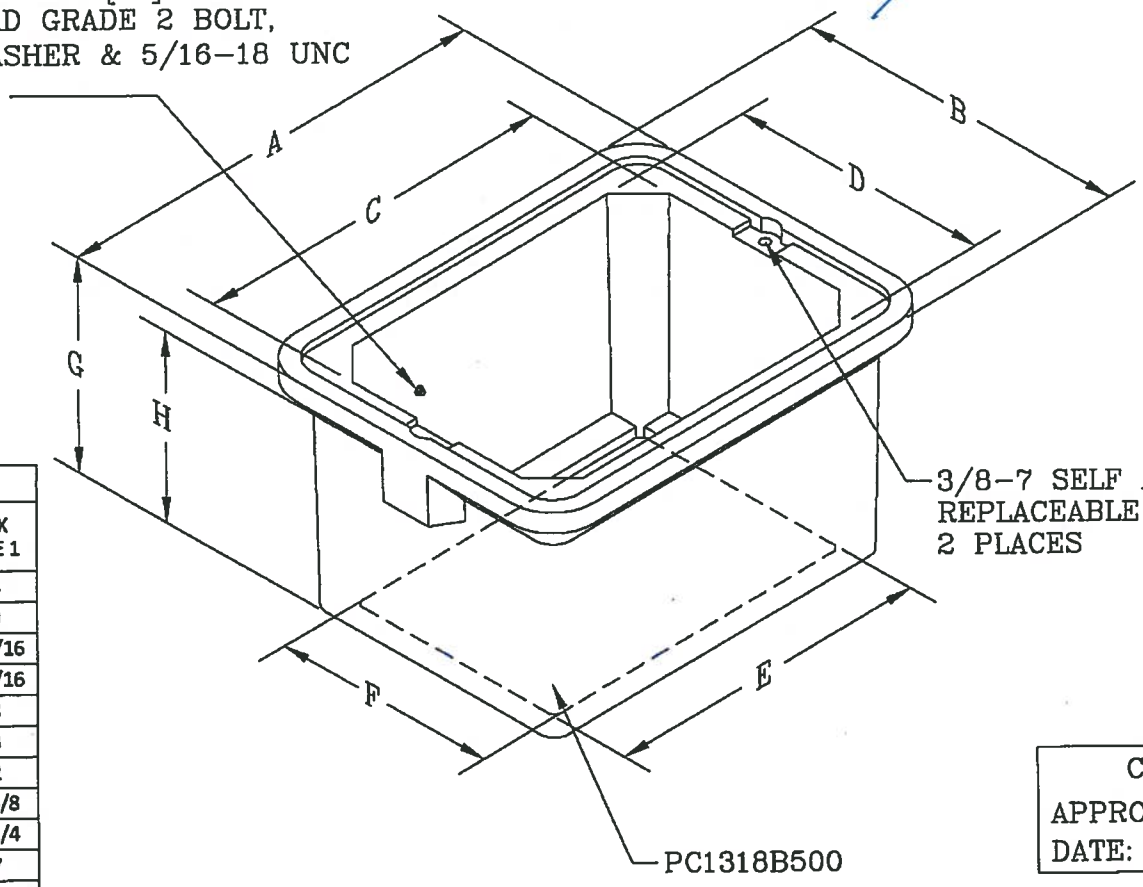
APPROVED
Washington State Department of Transportation
HQ Traffic Operations Office
BY: Gregory Scott Christensen DATE: 5/11/2017

GROUNDING LOCATION
(5/16-18 UNC X 2 [51] LONG
S.S. HEX HEAD GRADE 2 BOLT,
ø5/16 [8] WASHER & 5/16-18 UNC
HEX NUT)

NOTES:

1. CUSTOMER IS WSDOT.
2. BOX AND COVER WILL MEET ALL TEST PROVISIONS OF THE ANSI/SCTE 77 TIER 15 LOADING REQUIREMENT.
3. THE COVER MATERIAL WILL MEET ASTM A36 & ASTM A786 REQUIREMENTS. COVER WILL HAVE THE MEBAC COATING OR EQUIVALENT, AND IS TO BE INOCULATED W/ ZINC CHROMATE AFTER FABRICATION.
4. INTERIOR BOX VOLUME IS 3,462 in³.
5. 3/8-7 AUGER BOLTS MEET THE REQUIREMENT FOR ASTM F 593.
6. ALL HARDWARE IS 18-8 STAINLESS STEEL.

*LOGO CHART	
LOGO CODE	TEXT
U13	COMM
U23	ITS
U33	LT
U43	TS
U53	TEL



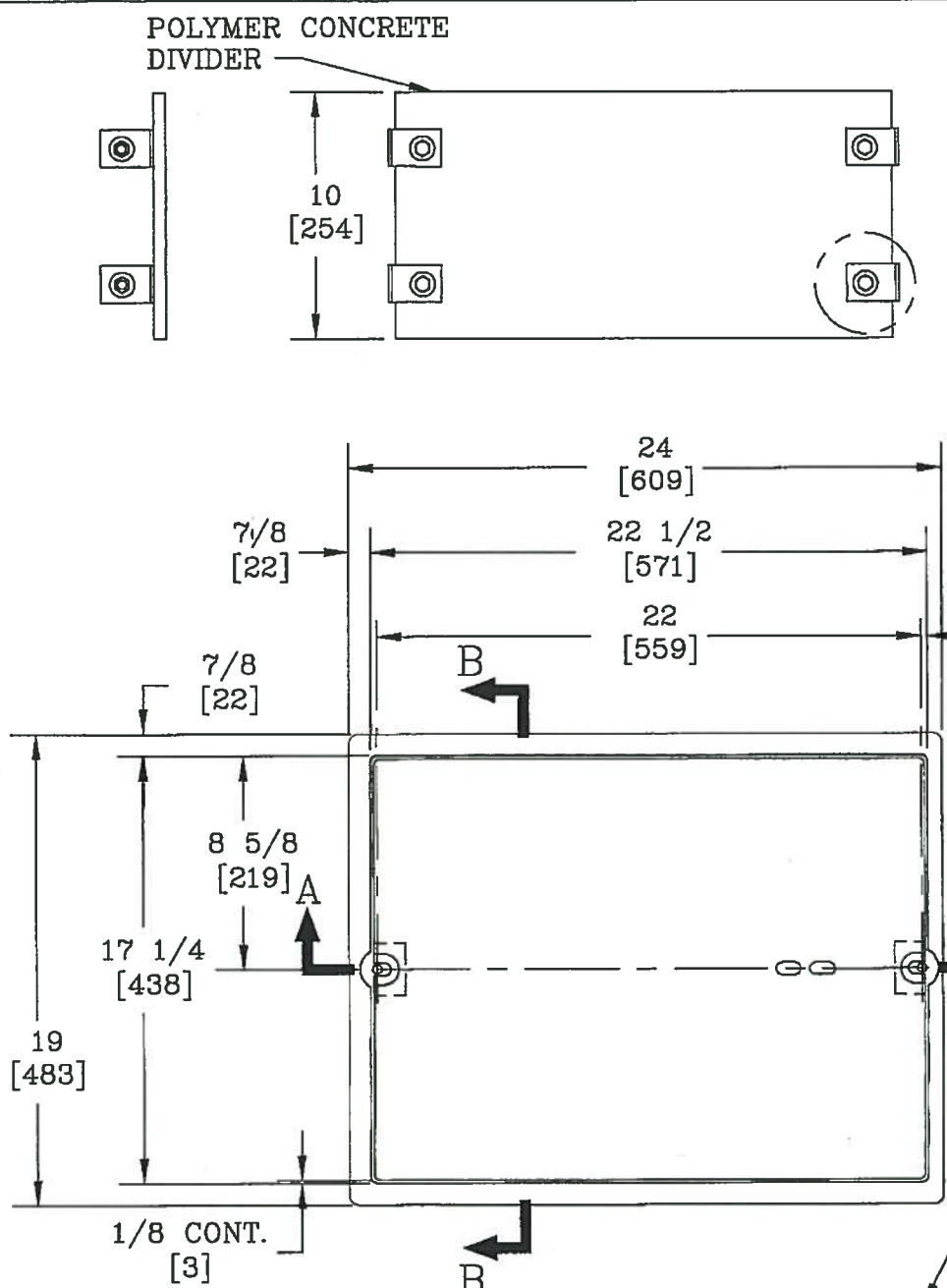
3/8-7 SELF ALIGNING,
REPLACEABLE EZ-NUT
2 PLACES



JUNCTION BOX DIMENSION TABLE		
MARK	ITEM	BOX TYPE 1
A	OUTSIDE LENGTH OF JUNCTION BOX	24
B	OUTSIDE WIDTH OF JUNCTION BOX	19
C	INSIDE LENGTH AT TOP OF BOX	20 7/16
D	INSIDE WIDTH AT TOP OF BOX	15 7/16
E	INSIDE LENGTH AT FOOT	18
F	INSIDE WIDTH AT FOOT	13
G	OVERALL HEIGHT OF BOX	12
H	HEIGHT OF BOX TO COVER LEDGE	11 5/8
I	COVER LENGTH	22 1/4
J	COVER WIDTH	17
K	COVER DEPTH	3/8

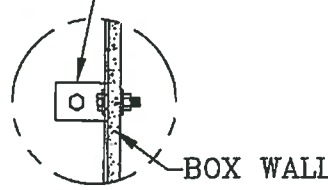
CUSTOMER APPROVAL
APPROVED BY: _____
DATE: _____

DIMENSIONS ARE IN INCHES OR MILLIMETERS IN BRACKETS UNLESS OTHERWISE NOTED.						
DRN	BY	DATE	WEIGHT		3621 INDUSTRIAL PARK DR LENOIR CITY, TN 37771 800-346-3062 www.quazite.com	LOC
CHK	M&F	10/17/11	83# 38kg			LC
ENG			SCALE	DRAWING DESCRIPTION QUAZITE® 13 X 18 X 12 BOX & COVER ASSEMBLY	REV	
APR			N.T.S.		M	
APR			SIZE		9/18	
PROJECT NUMBER			DRAWING NUMBER			
104334			PC1318Z500-1			
SHEET 1 OF 2						

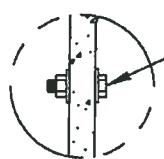


APPROVED
 Washington State
 Department of Transportation
 HQ Traffic Operations Office
 BY: *[Signature]*
 DATE: 5/11/2017

3/8-16 UNC X 1 1/2 [38]
 LONG S.S. GRADE 2 HEX HEAD
 BOLT, 3/8-16 UNC HEX NUT, &
 ASTM A36 GALVANIZED STEEL
 L-BRACKET BOLTED TO THE
 SIDE OF WALL OF BOX

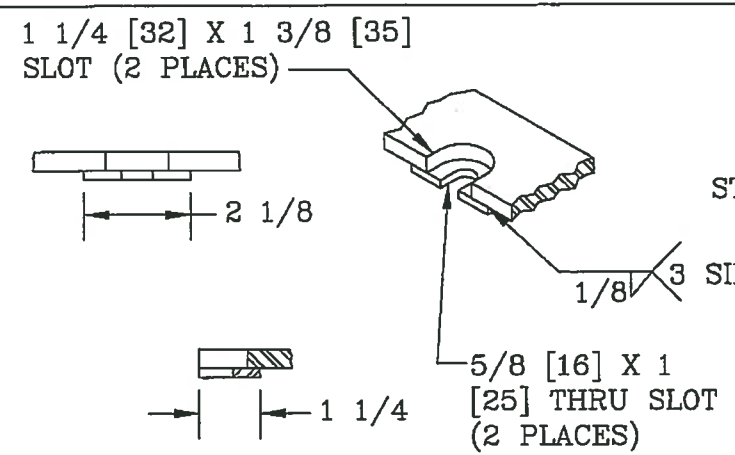


L-BRACKET DETAIL
 SCALE: HALF

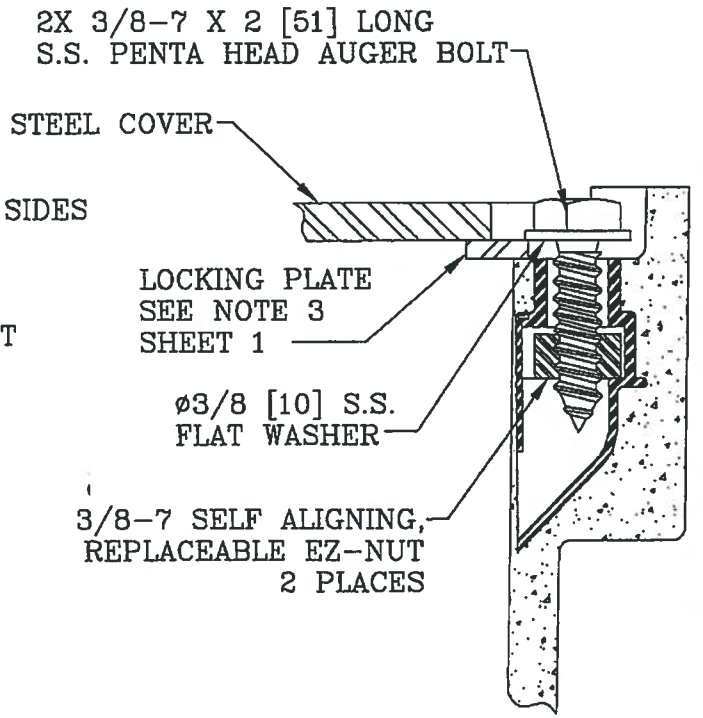


GROUNDING BOLT DETAIL
 NTS

GROUNDING LOCATION
 (5/16-18 UNC X 2 [51] LONG
 S.S. HEX HEAD GRADE 2 BOLT,
 ø5/16 [8] WASHER & 5/16-18 UNC
 HEX NUT)

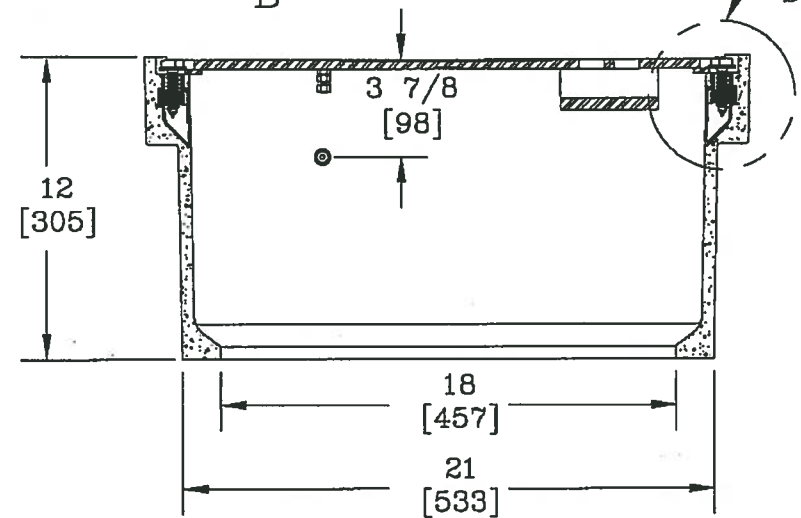


SLOT DETAIL
 NTS

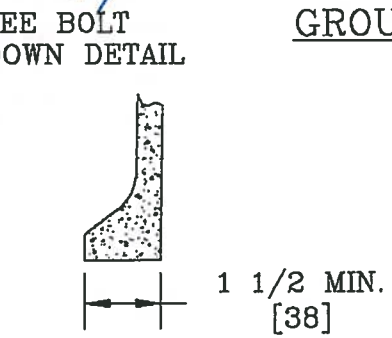


BOLT DOWN DETAIL
 NTS

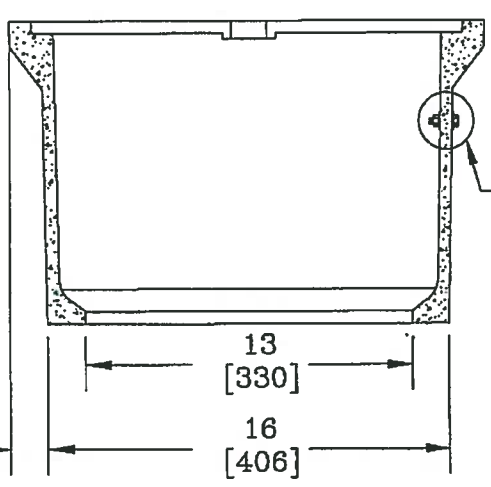
3/8-16 UNC X 1 1/2 [38]
 LONG S.S. BOLT, 3/8
 LOCK WASHER, BRACKET &
 3/8-16 UNC HEX NUT



SECTION A-A



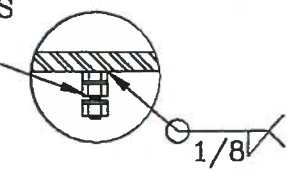
FOOT DETAIL
 SCALE: HALF




SECTION B-B

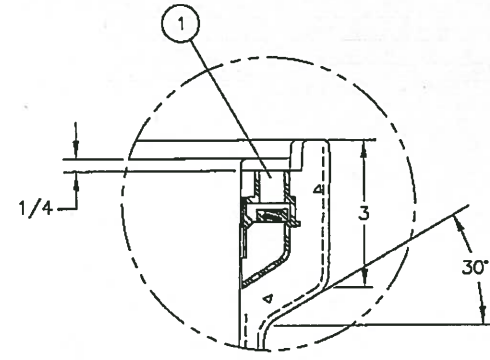
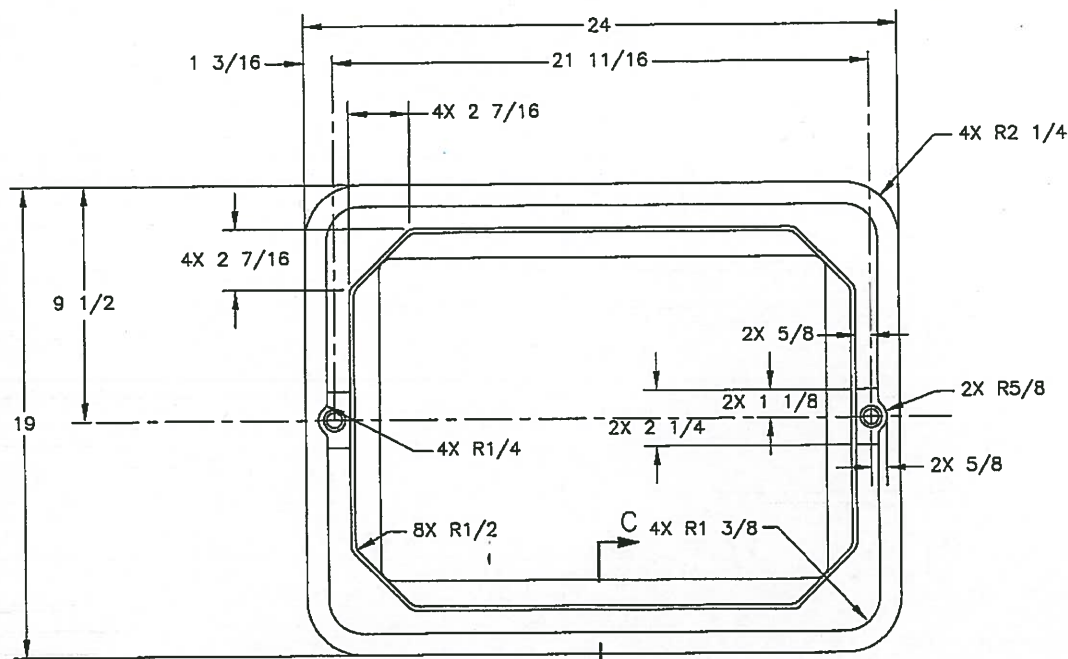
SEE GROUNDING
 BOLT DETAIL

GROUNDING STUD: 1/4-20 UNC
 X 3/4 [19] LONG S.S. HEX HEAD
 BOLT W/ (2) 1/4-20 S.S. HEX NUTS
 & (2) ø1/4 [6] FLAT WASHERS

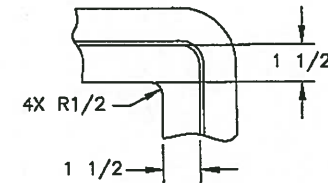
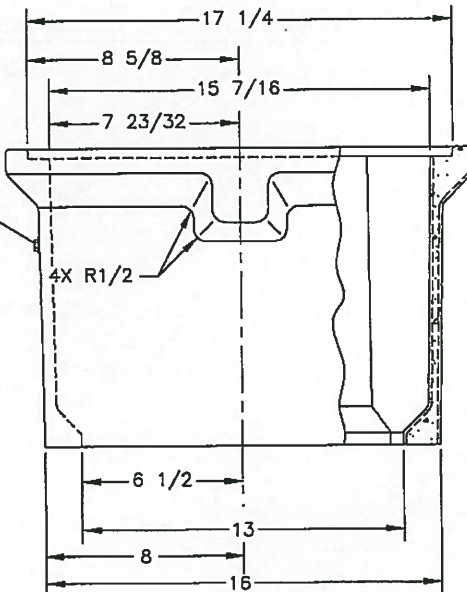
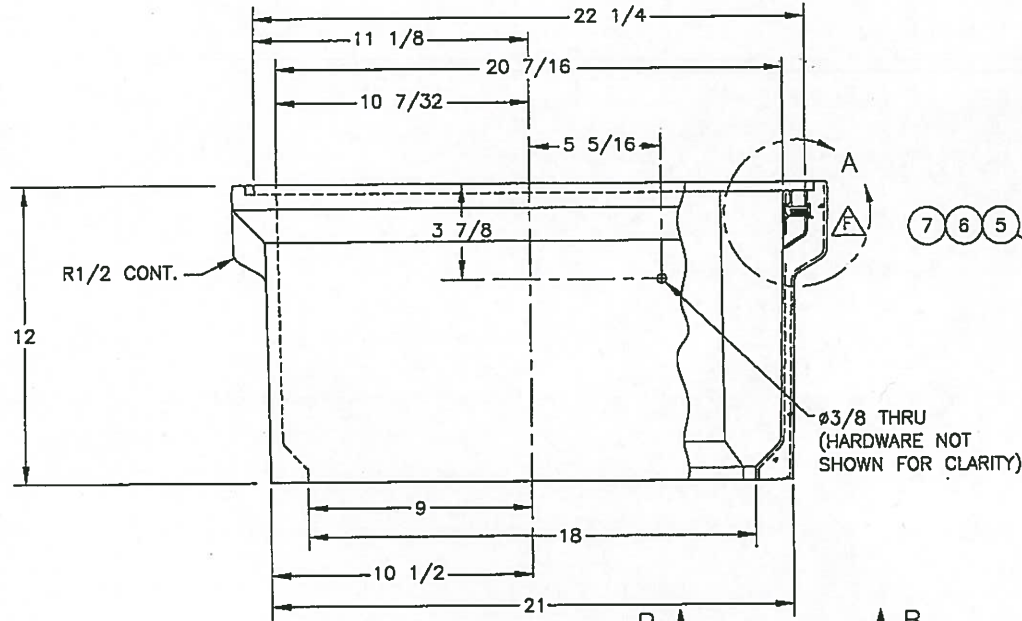


GROUNDING STUD DETAIL
 NTS

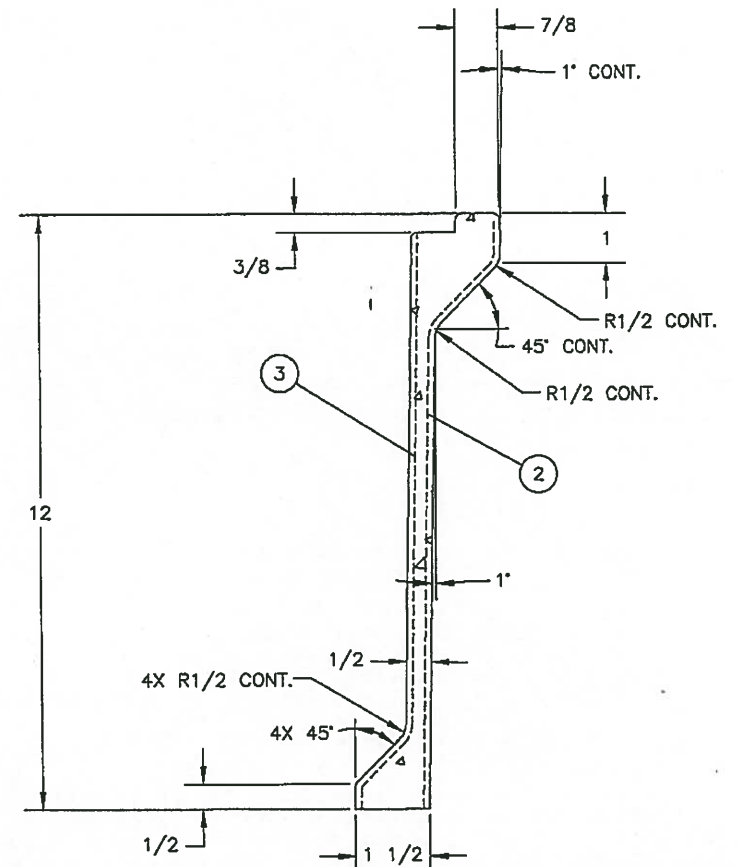
DIMENSIONS ARE IN INCHES OR MILLIMETERS IN BRACKETS UNLESS OTHERWISE NOTED.					
DRN	BY	DATE	WEIGHT	 3621 INDUSTRIAL PARK DR LENOIR CITY, TN 37771 800-346-3062 www.quazite.com	LOC
CHK	ARN	10/17/11	83# 38kg		LC
ENG	M&F	10/17/11	SCALE	DRAWING DESCRIPTION QUAZITE® 13 X 18 X 12 BOX & COVER ASSEMBLY	REV
APR			NTS		M
APR			SIZE		9/18
			B		
PROJECT NUMBER			DRAWING NUMBER		
104334			PC1318Z500-2		
SHEET 2 OF 2					



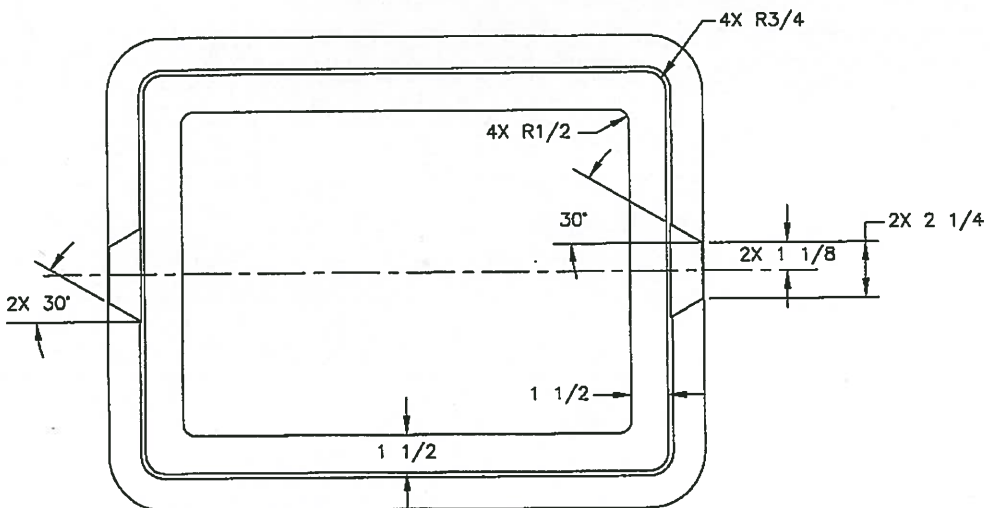
DETAIL A
SCALE: HALF
2 PLACES



VIEW B-B
SCALE: FULL
4 PLACES



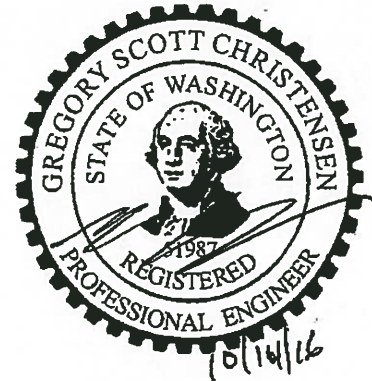
SECTION C-C
SCALE: HALF



ITEM NO.	CAT.	PART NUMBER	DESCRIPTION	QUANTITY	UOM
1	L	C080412	INSERT EZ-NUT 3/8-7 LAG ASSY (FULL)	2.00	EA
2	L	C092260	FG 6 BA 78.00 X 12.00	1.00	EA
3	L	C092275	FG 6 BA 69.00 X 12.00	1.00	EA
4	L	C099200	MIX-UT BOX 15.5 PCT RESIN	60.00	LB
5	L	C082246	BOLT SS 5/16-18 X 2 HEX	1.00	EA
6	L	C082341	NUT SS 5/16-18 UNC HEX	1.00	EA
7	L	C080270	WASHER SS 5/16ID X 3/4OD FLAT	1.00	EA

APPROVED AS NOTED
Washington State Department of Transportation
HQ Traffic Operations Office
BY: *[Signature]* DATE: 2/5/2018

**NOTE: BOX PART NUMBER STAMP WILL READ:
PC1318B500A**



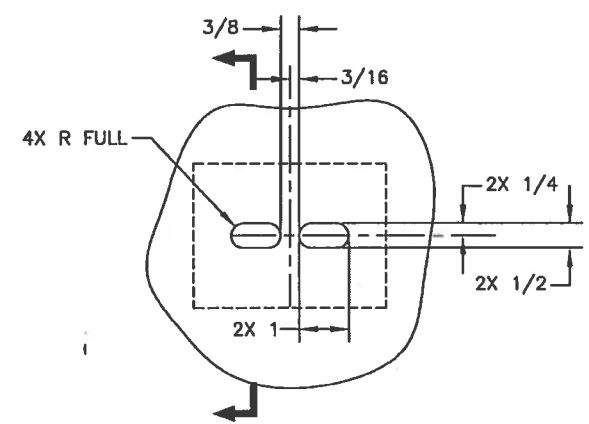
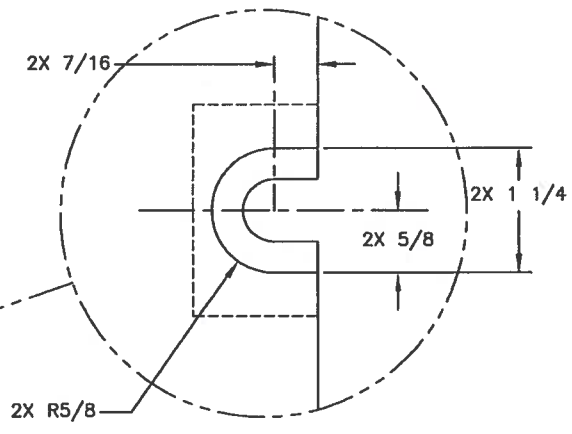
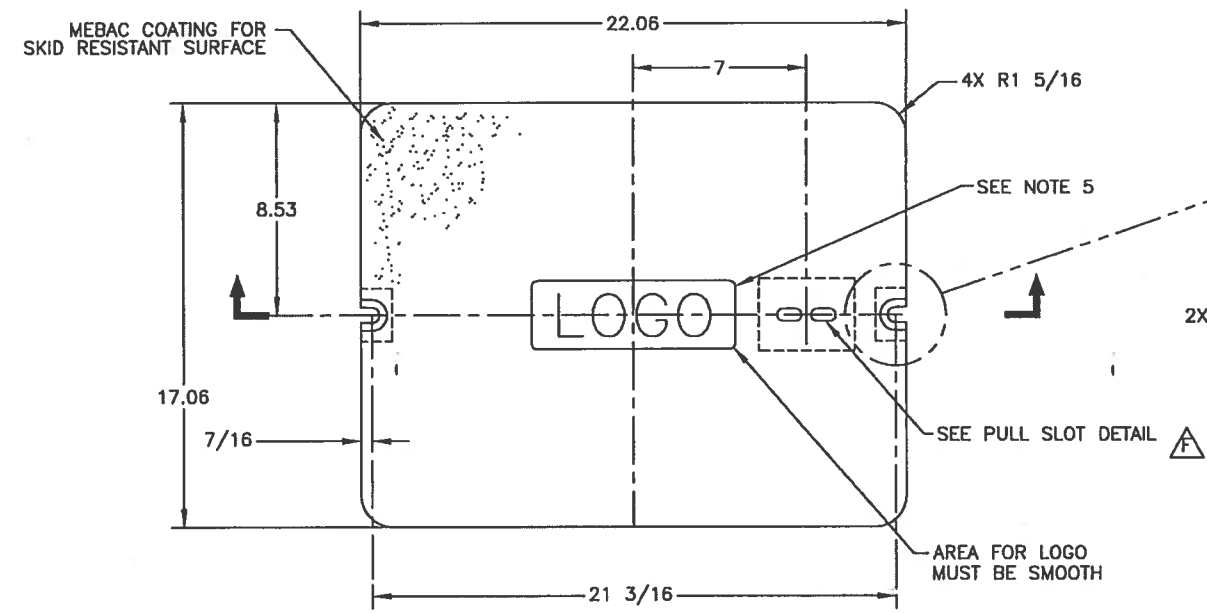
- NOTES:
- ALL FILLETS AND RADII TO BE 1/8 UNLESS OTHERWISE SPECIFIED.
 - FOR EZ-NUT RETAINER TOOLING SEE CT96108-2
 - RATED FOR TIER 15 APPLICATIONS.

APPROVED

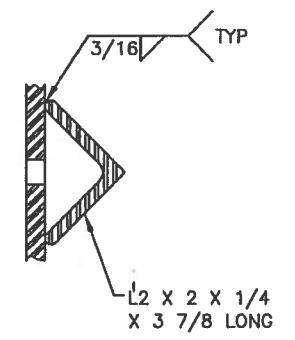
- MAINT. _____
- PROD. _____
- QUALITY _____

STANDARD TOLERANCES		HUMBER		3621 INDUSTRIAL PARK DR LENOIR CITY, TN 37771 800-346-3082 www.quazite.com	
ALL DIMENSIONS ARE IN INCHES UNLESS OTHERWISE SPECIFIED					
.000.....	±.100	BY	DATE	WEIGHT	DRAWING DESCRIPTION
.000.....	±.050	DRN	23	1/22/18	QUAZITE® BOX
.000.....	±.010	CHK			
FRACTIONAL.....	±1/16	ENG			
ANGULAR.....	±.5°	APPR			
PROPRIETARY INFORMATION					
THIS DRAWING DISCLOSES PROPRIETARY AND CONFIDENTIAL INFORMATION, AND IS LOANED BY MODEL WITH THE UNDERSTANDING THAT IT WILL NOT BE DISCLOSED IN PART OR WHOLE, AND/OR BE USED FOR ANY PURPOSE OTHER THAN MAINTENANCE, REPAIRS, OR INSTALLATION, UNLESS EXPRESSLY AUTHORIZED, AND THAT IT BE RETURNED ON DEMAND.					
PROJECT NUMBER		DRAWING NUMBER		SHEET	
104334		PC1318B500-2-1		1 OF 1	

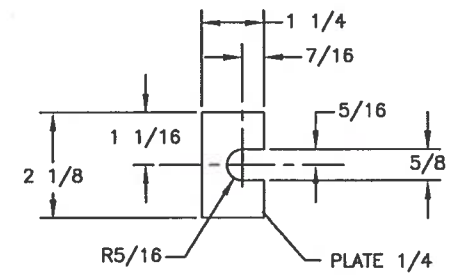
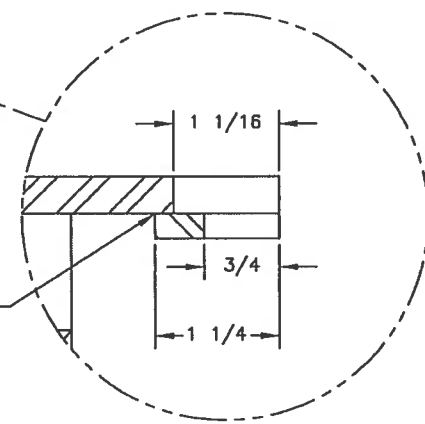
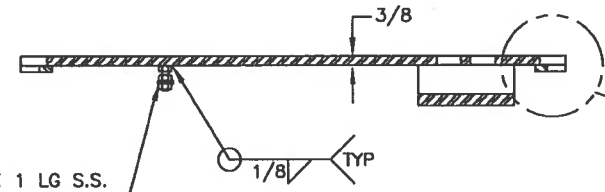
PART NUMBER	LOGO
PC1318S500U33	LT
PC1318S500U53	TEL
PC1318S500U23	ITS
PC1318S500U13	COMM
PC1318S500U43	TS



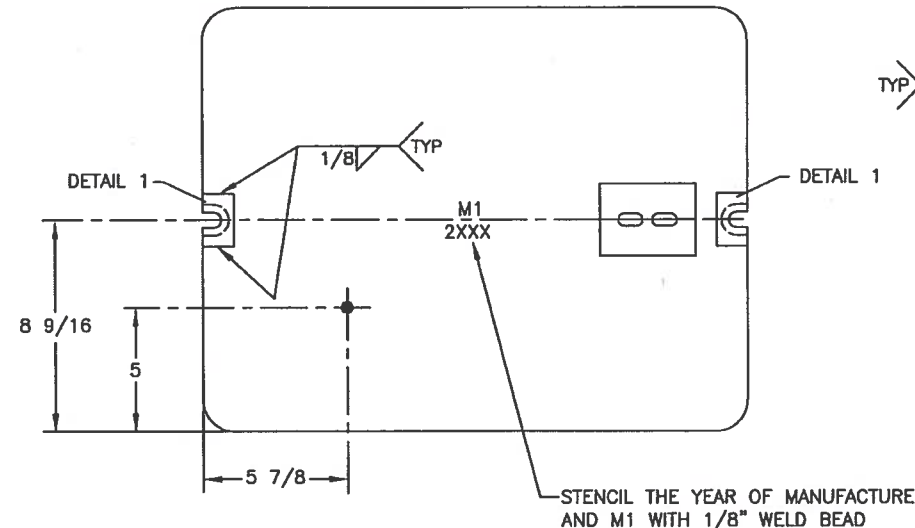
PULL SLOT DETAIL
SCALE: HALF



GROUNDING STUD: 1/4-20 UNC X 1 LG S.S.
HEX HEAD BOLT W/ (2) 1/4-20 S.S.
HEX NUTS & (2) Ø1/4 FLAT WASHERS



DETAIL 1
SCALE: HALF
2 REQUIRED



APPROVED
Washington State Department of Transportation
HQ Traffic Operations Office
BY: *[Signature]* DATE: 5/11/2017

NOTES:

- ALL MATERIAL TO BE ASTM A36 OR EQUIVALENT
- ALL WELD TO USE E-70 SERIES ELECTRODES; WELD PENETRATION NOT TO EXCEED 75% OF THINNER MATERIAL.
- PAINTING:**
 - DEBURR, CLEAN MILL SCALE & SLAG, AND DEGREASE
 - APPLY SKID RESISTANT COATING AFTER FABRICATION
 - HOT DIP GALVANIZE AFTER COATING
- THIS COVER IS RATED FOR A DESIGN LOAD OF 15,000 LBS.
- LOGO TO BE 1" HIGH LETTERS USING 1/8" WELD BEAD.

APPROVED
1. MAINT. _____
2. PROD. _____
3. QUALITY _____

STANDARD TOLERANCES		HUBBELL		3621 INDUSTRIAL PARK DR LENOIR CITY, TN 37771 605-346-3082 www.quazite.com	
ALL DIMENSIONS ARE IN INCHES UNLESS OTHERWISE SPECIFIED					
.0.....	±.100	BY	DATE	WEIGHT	DRAWING DESCRIPTION
.00.....	±.060	DNN	3/5	3/27/15	40#
.000.....	±.010	CHK	JLS	3/27/16	SCALE
FRACTIONAL.....	±1/16	APR			
ANGULAR.....	±.5°	END			
PROPRIETARY INFORMATION					
THIS DRAWING INCLUDES PROPRIETARY AND CONFIDENTIAL INFORMATION AND IS LOANED BY HUBBELL WITH THE UNDERSTANDING THAT IT WILL NOT BE REPRODUCED OR COPIED IN ANY MANNER OR USED FOR ANY PURPOSE OTHER THAN MAINTENANCE, FABRICATION OR INSTALLATION, UNLESS EXPRESSLY AUTHORIZED, AND THAT IT BE RETURNED ON DEMAND.					
PROJECT NUMBER		DRAWING NUMBER		SHEET 1 OF 1	
		PC1318S500-2-1		LOGO	
				REV F	
				DATE	