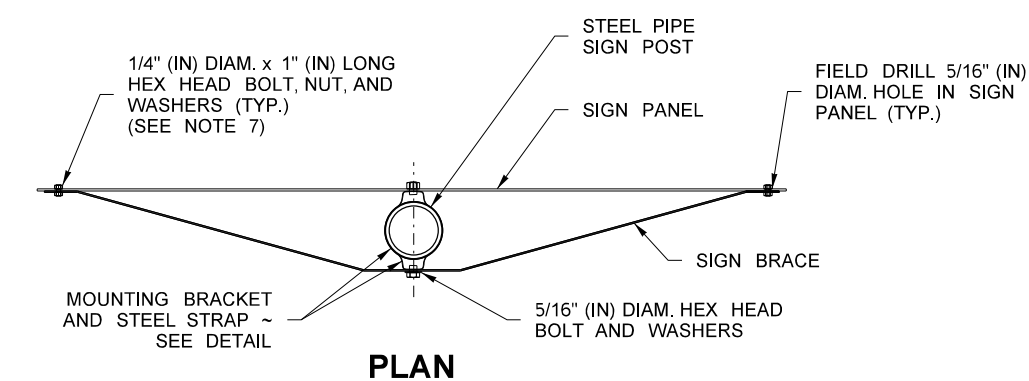


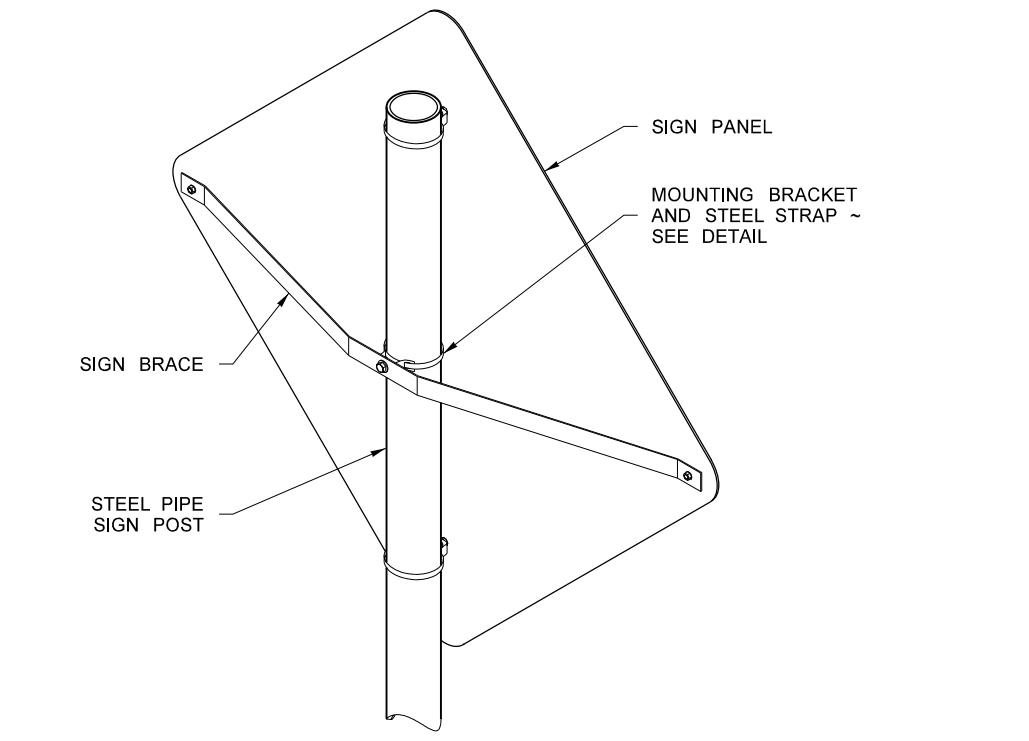
BARRIER - MOUNTED SIGN POST

NOTES

1. SIGN POST SHALL BE INSTALLED PLUMB.
2. PLACEMENT OF SIGN SHALL BE IN ACCORDANCE WITH **STANDARD SPECIFICATION 8-21.3(2)**.
3. CENTER OF SIGN PANEL SHALL BE LOCATED 17'(FT) OR LESS ABOVE THE GROUND SURFACE.
4. SIGN POST SHALL BE MOUNTED ON BARRIER WITH A MINIMUM SEGMENT WEIGHT OF 10,000 LBS. AND A MINIMUM WIDTH OF 2'-0" AT THE BASE. DO NOT MOUNT SIGN POST ON TYPE 2 PRE-CAST BARRIER.
5. SADDLE MOUNT ANCHOR BOLTS SHALL NOT BE WITHIN 1'-6" OF THE END OF A BARRIER SEGMENT.
6. RESIN BONDED ANCHORS SHALL CONFORM TO BRIDGE SPECIAL PROVISIONS 0221GR6 AND 02318GR6.
7. FOR SIGN PANEL MOUNTING DETAILS, SEE **STANDARD PLAN G-50.10**.
8. SIGN POST ASSEMBLY SHALL BE GALVANIZED AFTER FABRICATION PER AASHTO M 111.

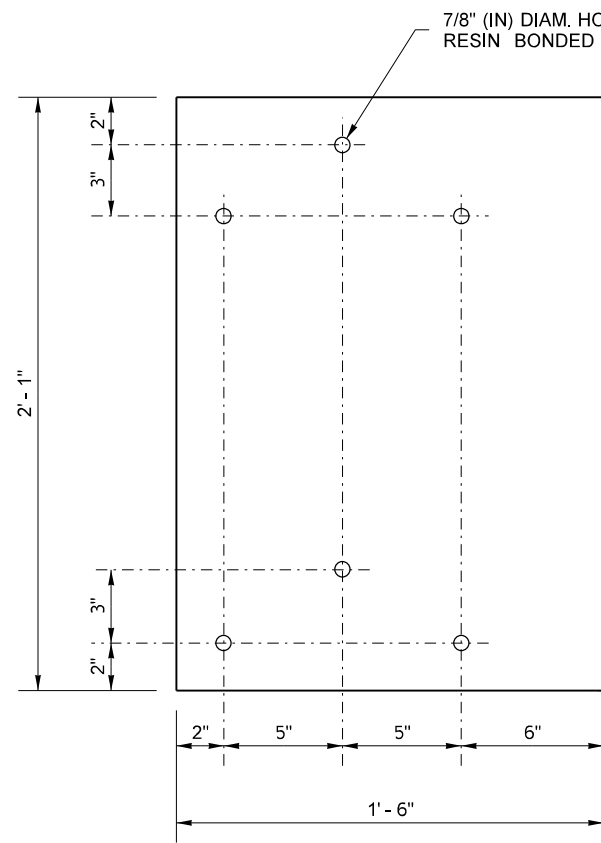


PLAN

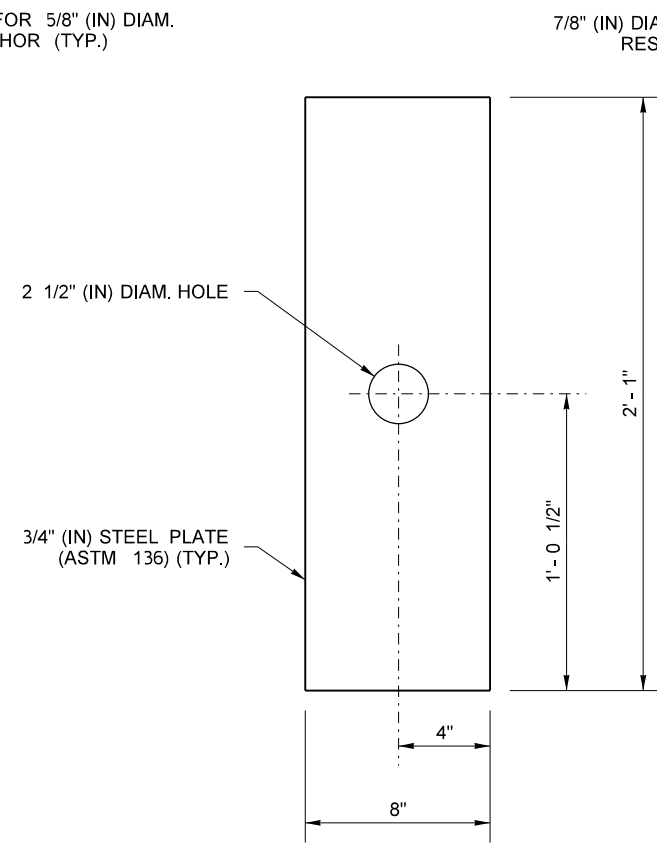


SIGN BRACE ON SIGN POST

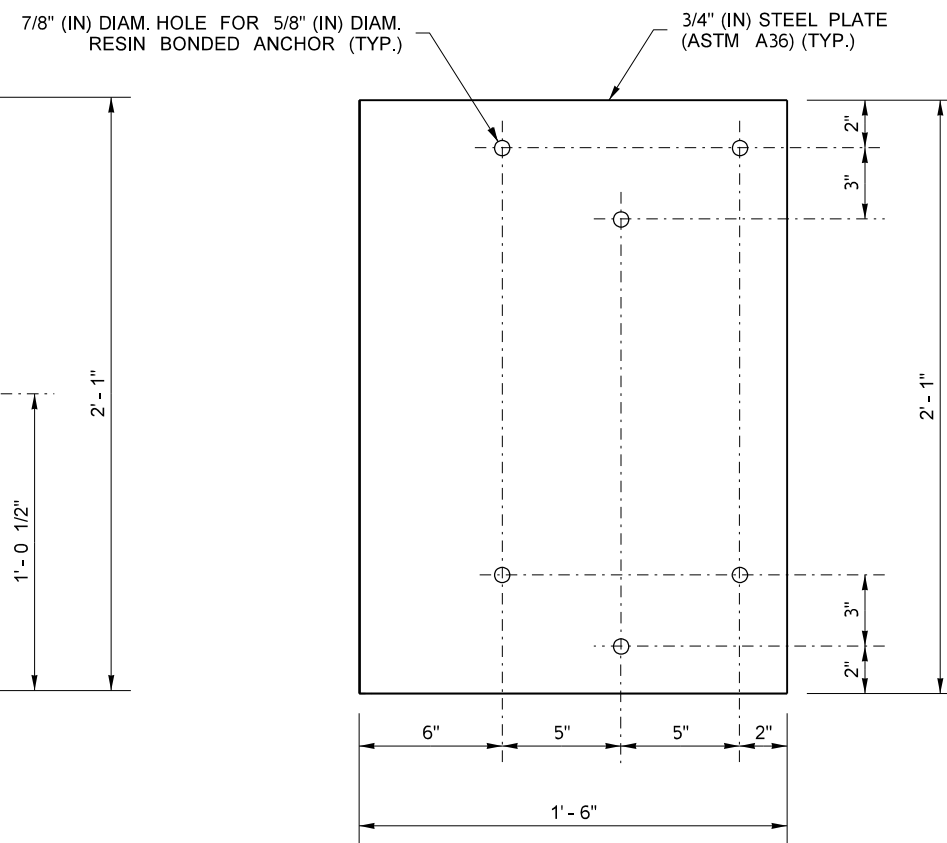
FILE NAME S:\Design R P& S\4-Standards\2-Plan Sheet Library\01-Published PSL(SD) Signs and Sign Support\W(SD-4) Barrier Mounted Sign Post\SD-4.dgn				REGION NO.		STATE		FED.AID PROJ.NO.		DATE		DATE		P.E. STAMP BOX		P.E. STAMP BOX		Washington State Department of Transportation		Plot 1 PLAN REF NO SD-4	
TIME 2:06:20 PM				WASH		JOB NUMBER		LOCATION NO.		DATE		DATE		P.E. STAMP BOX		P.E. STAMP BOX		SHEET 1 OF 2 SHEETS			
DATE 10/2/2014				CONTRACT NO.		DATE		BY		REVISION		DATE		BY		DATE		BARRIER-MOUNTED SIGN POST			
PLOTTED BY FletcCo				CONTRACT NO.		DATE		BY		REVISION		DATE		BY		DATE		BARRIER-MOUNTED SIGN POST			
DESIGNED BY				CONTRACT NO.		DATE		BY		REVISION		DATE		BY		DATE		BARRIER-MOUNTED SIGN POST			
ENTERED BY				CONTRACT NO.		DATE		BY		REVISION		DATE		BY		DATE		BARRIER-MOUNTED SIGN POST			
CHECKED BY				CONTRACT NO.		DATE		BY		REVISION		DATE		BY		DATE		BARRIER-MOUNTED SIGN POST			
PROJ. ENGR.				CONTRACT NO.		DATE		BY		REVISION		DATE		BY		DATE		BARRIER-MOUNTED SIGN POST			
REGIONAL ADM.				CONTRACT NO.		DATE		BY		REVISION		DATE		BY		DATE		BARRIER-MOUNTED SIGN POST			



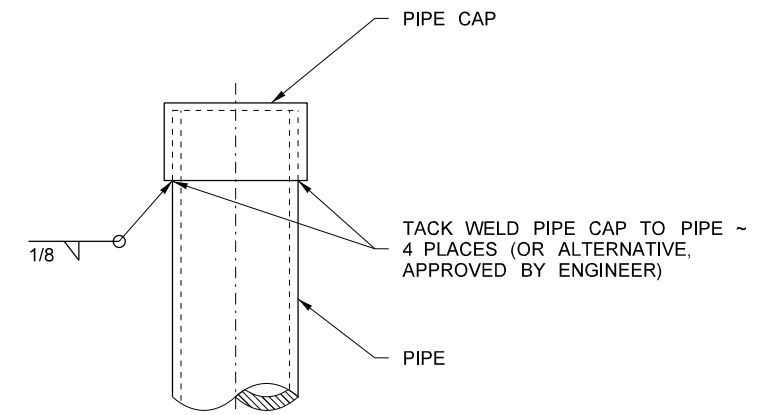
LEFT PANEL



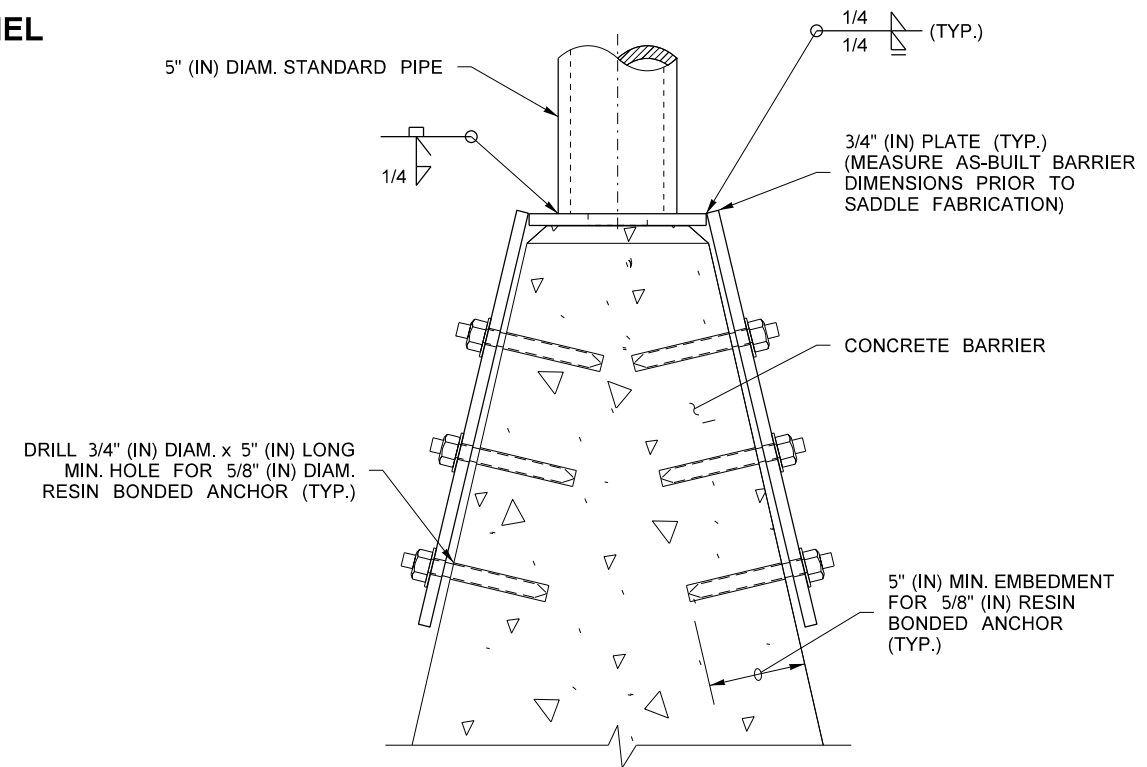
TOP PANEL



RIGHT PANEL



CAP DETAIL



TYPICAL SECTION

FILE NAME		S:\Design R P& S\4-Standards\2-Plan Sheet Library\01-Published PSL(SD) Signs and Sign Support\W(SD-4) Barrier Mounted Sign Post\SD-4.dgn		REGION NO.		STATE		FED.AID PROJ.NO.		DATE		DATE		P.E. STAMP BOX		P.E. STAMP BOX		Washington State Department of Transportation		Plot 2 PLAN REF NO SD-4	
TIME		2:06:36 PM		JOB NUMBER		WASH		LOCATION NO.		DATE		DATE		P.E. STAMP BOX		P.E. STAMP BOX		SHEET 2 OF 2 SHEETS		BARRIER-MOUNTED SIGN POST	
DATE		10/2/2014		CONTRACT NO.						DATE		DATE		P.E. STAMP BOX		P.E. STAMP BOX					
PLOTTED BY		FletcCo		BY						DATE		DATE		P.E. STAMP BOX		P.E. STAMP BOX					
DESIGNED BY																					
ENTERED BY																					
CHECKED BY																					
PROJ. ENGR.																					
REGIONAL ADM.				REVISION		DATE		BY													