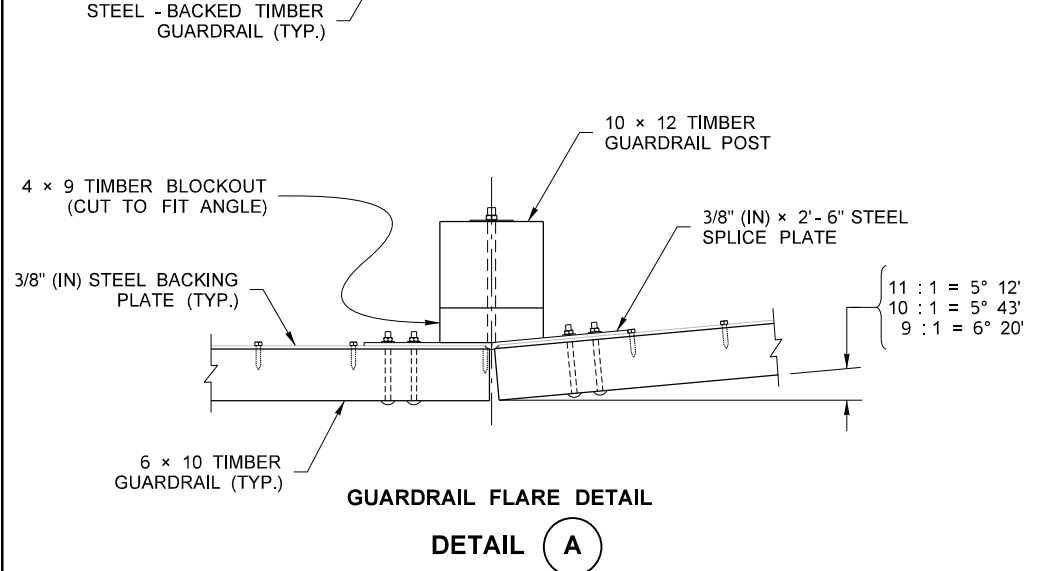
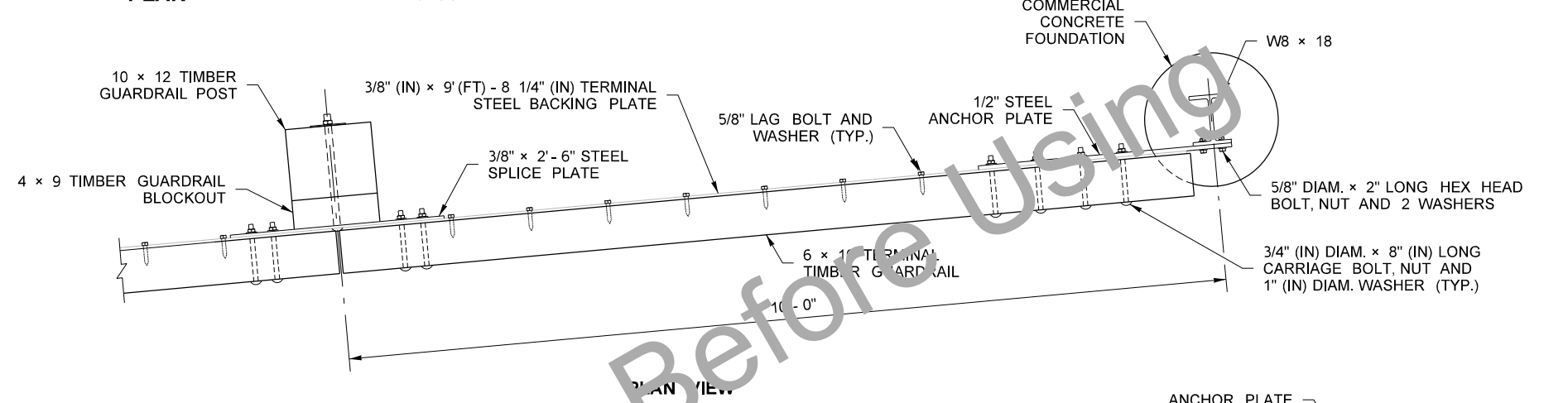


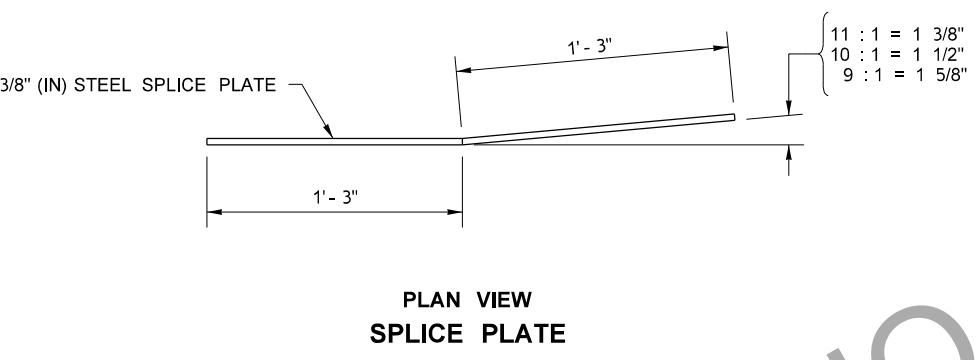
PLAN



**GUARDRAIL FLARE DETAIL
DETAIL A**

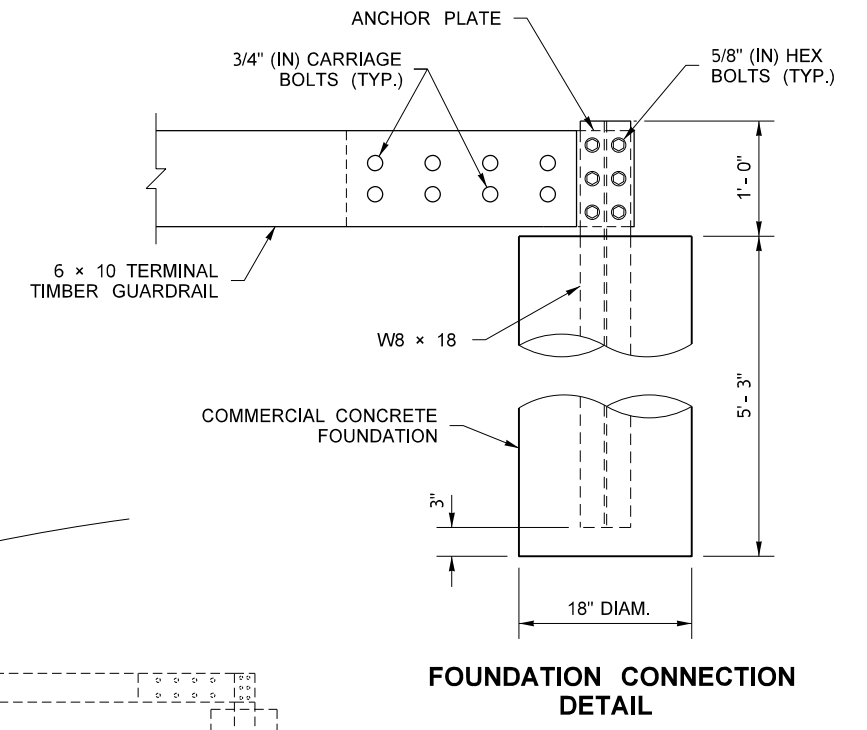


TIMBER GUARDRAIL ANCHOR

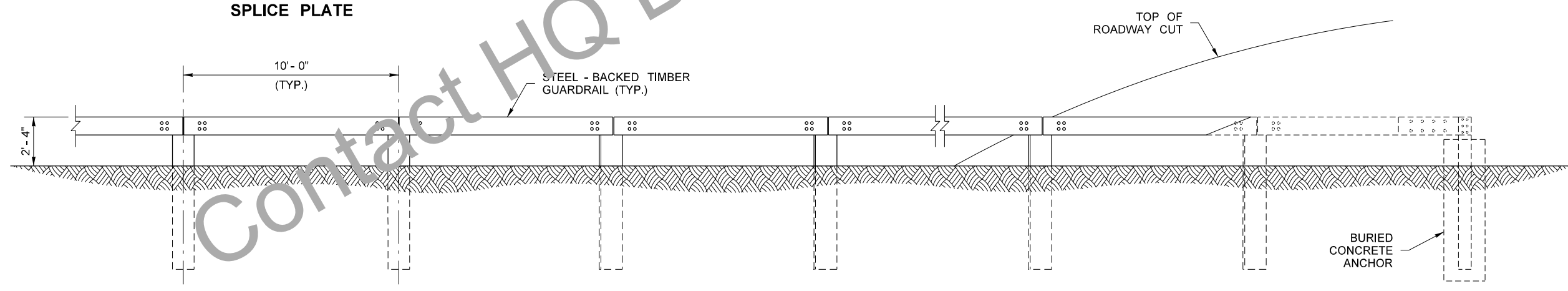


**PLAN VIEW
SPLICE PLATE**

FLARE RATE TABLE	
RATE	POSTED SPEED (M.P.H.)
1 : 1	50
10 : 1	45
9 : 1	40 OR LESS

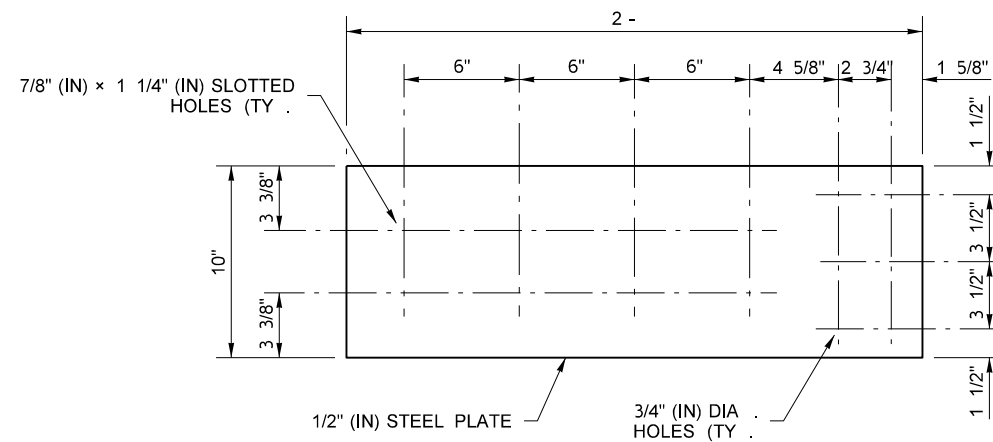


FOUNDATION CONNECTION DETAIL

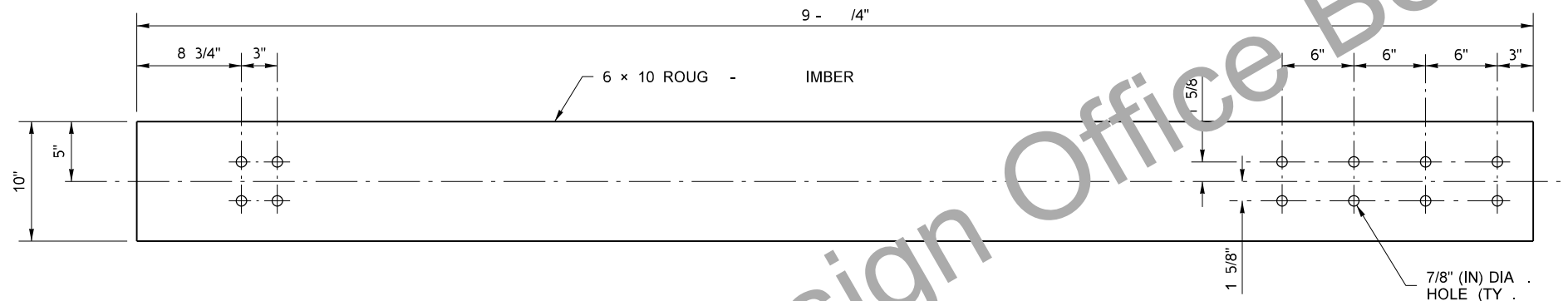


ELEVATION

FILE NAME: S:\Design R P& S\4-Standards\2-Plan Sheet Library\01-Published PSL(TB) Traffic Barrier(TB-26)\PS_TB-26_e.dgn		REGION NO.		STATE		FED.AID PROJ.NO.		Washington State Department of Transportation		Plot 1	
TIME: 2:17:51 PM					WASH						PLAN REF NO
DATE: 7/5/2016											TB-26
PLOTTED BY: lddelf											SHEET
DESIGNED BY:											1
ENTERED BY:											OF
CHECKED BY:											2
PROJ. ENGR.:											SHEETS
REGIONAL ADM.:	REVISION	DATE	BY								STEEL - BACKED TIMBER GUARDRAIL BURIED ANCHOR

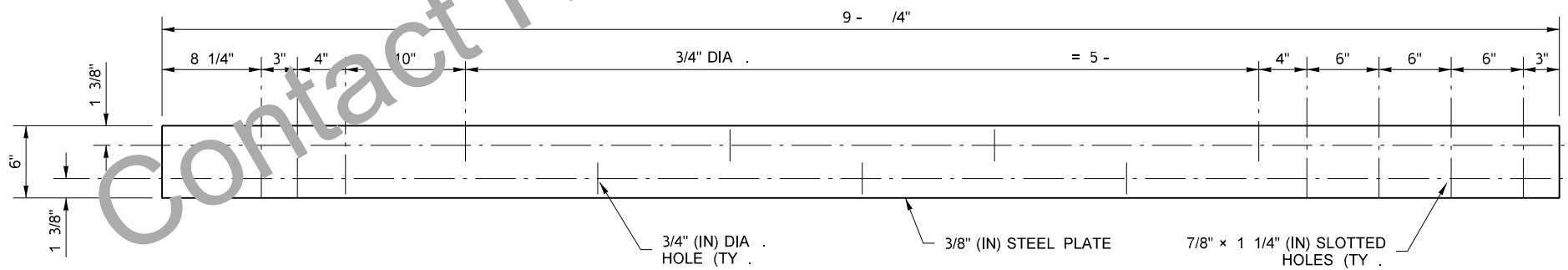


ANCHOR PLATE

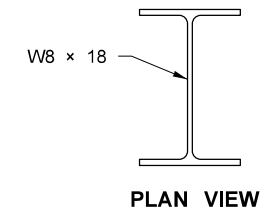


TERMINAL TIMBER GUARDRAIL

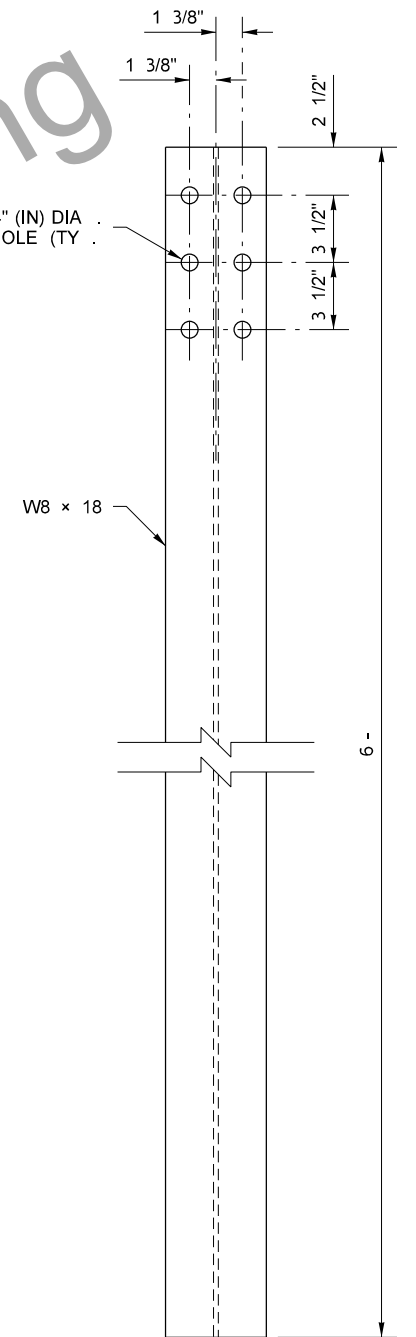
(FIELD - ALL 3/8" (IN) DIA. HOLES FOR 5/8" (IN) LAG BOLTS ~ TO PREVENT SPLITTING)



TERMINAL STEEL BACKING PLATE



PLAN VIEW



ELEVATION VIEW

STEEL POST ANCHOR

FILE NAME	De I	lan Sheet I	II	(TB) Traf	IPS_T	REGION N.	STATE	FE . ID PRO	Plot 2
TIME							WASH		PLAN REF NO
DATE	7/5/2016								TB-26
PLOTTED BY	li if						JOB NUMBER		SHEET
DESIGNED BY							CONTRACT N.	LOCA	2
ENTERED BY									OF
CHECKED BY									2
PRO									SHEETS
REGIONAL AD		REVISION	DATE	BY					



STEEL BURIED TIMBER GUARDRAIL ANCHOR