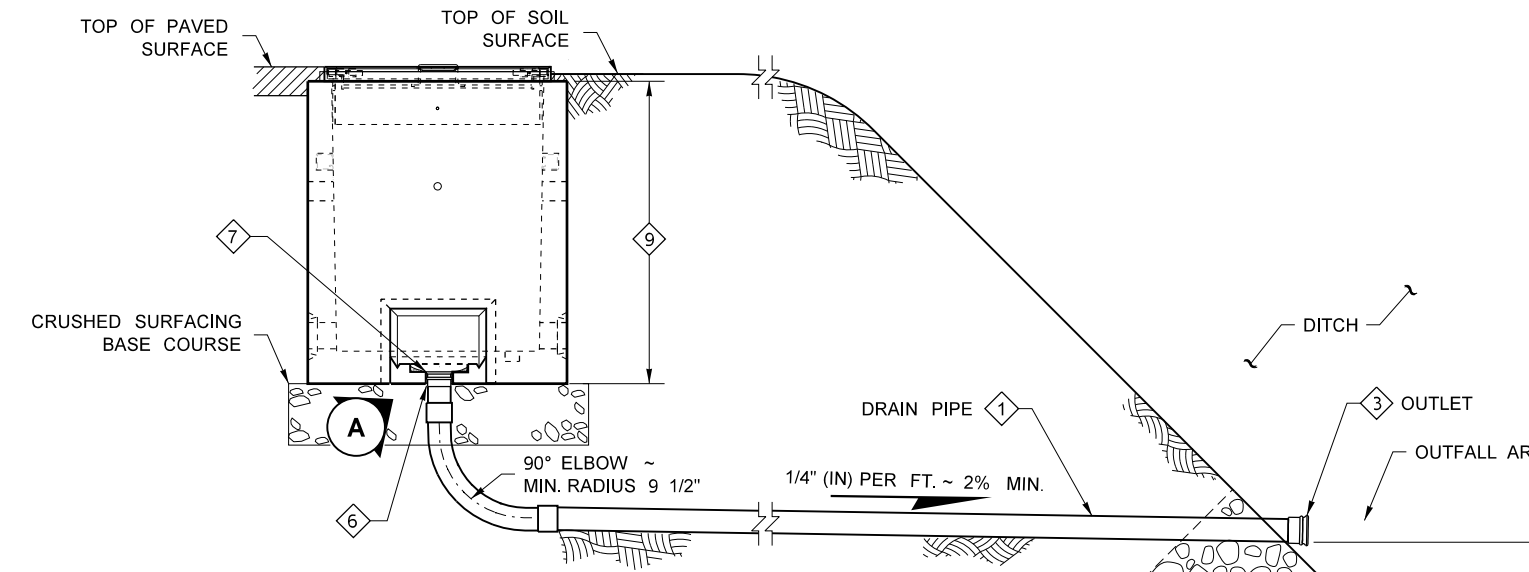
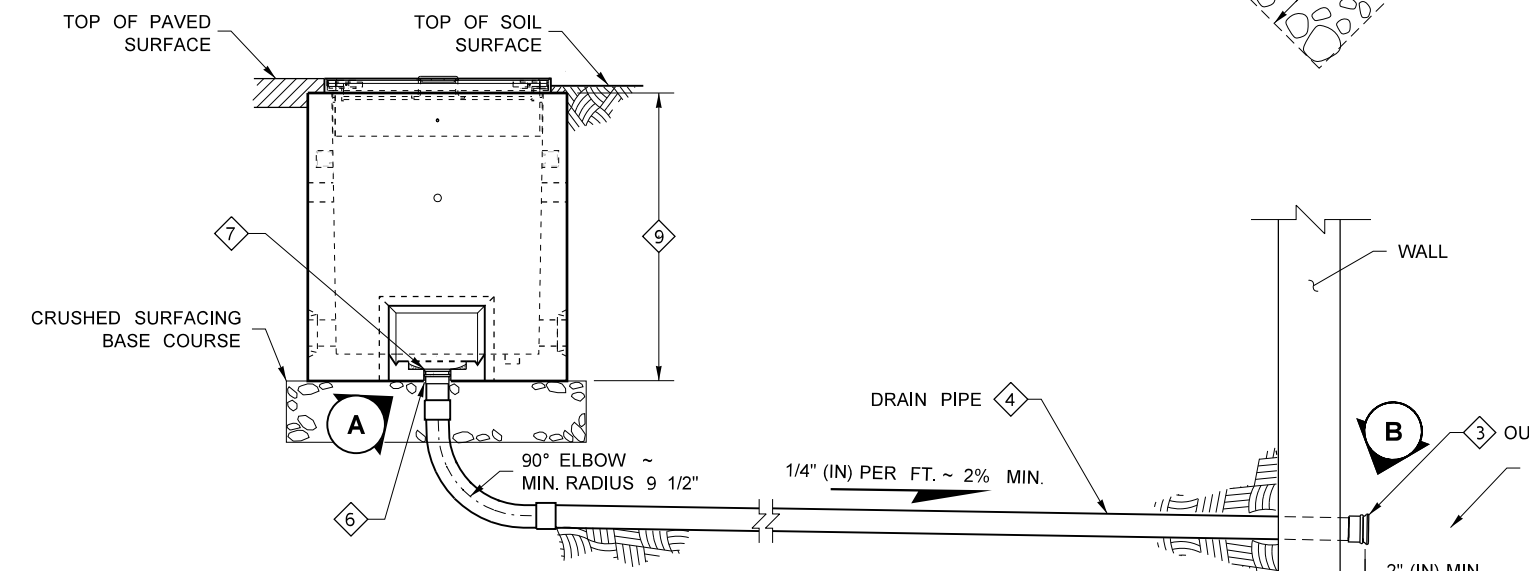


PLAN VIEW



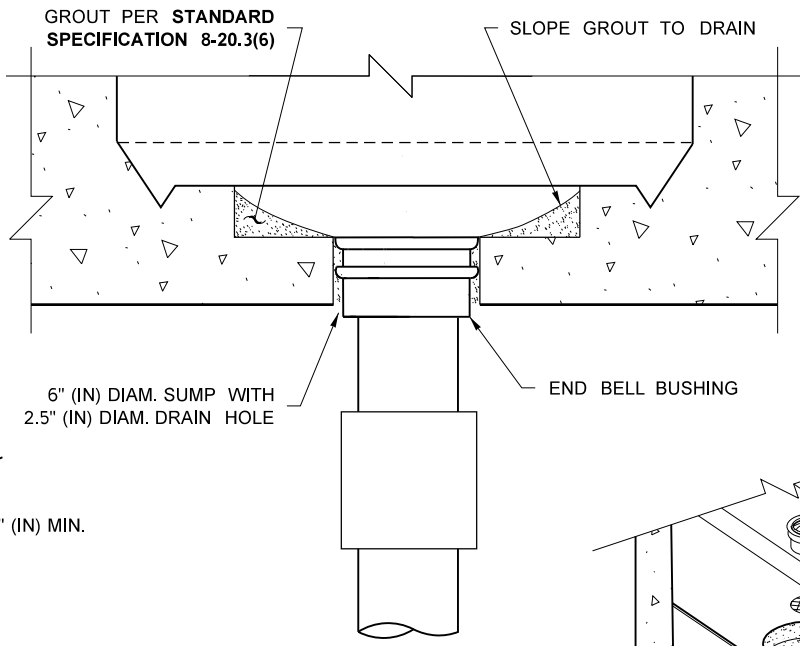
ELEVATION VIEW
(FOR SUMP DRAIN INSTALLATION IN SLOPE AREA)



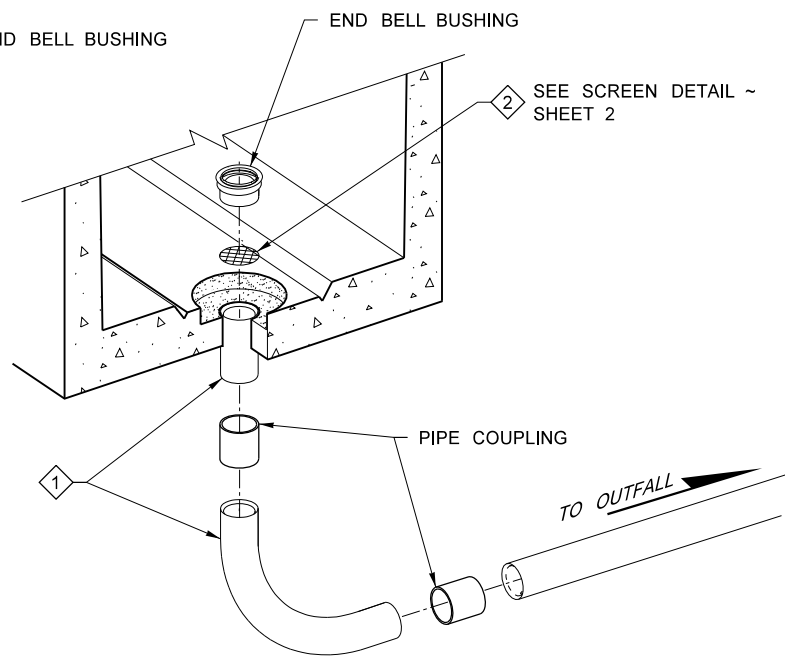
ELEVATION VIEW
(FOR SUMP DRAIN INSTALLATION IN WALL AREA)

KEY NOTES

- 1 INSTALL 2" (IN) RIGID PVC CONDUIT SCHEDULE 40.
- 2 INSTALL A 2.375" (IN) STAINLESS STEEL DRAIN SCREEN IN THE SUMP; SEE SCREEN DETAIL ~ SHEET 2.
- 3 INSTALL A 2.375" (IN) STAINLESS STEEL DRAIN SCREEN AT THE OUTLET; SEE SCREEN DETAIL ~ SHEET 2.
- 4 INSTALL 2" (IN) RIGID PVC CONDUIT SCHEDULE 40 ~ THROUGH THE WALL TO DAYLIGHT.
- 5 INSTALL A 2.375" (IN) STAINLESS STEEL DRAIN SCREEN AT THE INLET; SEE DETAIL "C" ~ SHEET 2.
- 6 GROUT HOLE PER STANDARD SPECIFICATION, SECTION 8-20.3(6). CONTRACTOR SHALL BORE EXISTING HOLE LARGER WHEN REQUIRED.
- 7 FIELD BORE 3" (IN) DIAM. HOLE. GROUT HOLE PER STANDARD SPECIFICATION, SECTION 8-20.3(6).
- 8 SIDE ENTRANCE RETROFIT SHALL BE USED ONLY IN LOCATIONS WHERE REQUIRED MINIMUM SLOPE TO OUTLET CANNOT BE REACHED.
- 9 SMALL CABLE VAULT DETAILED IN THIS DRAWING. CABLE VAULT AND PULL BOX ARE SIMILAR.
- 10 INVERT ELEVATION AT VAULT BOTTOM ~ 0" (IN) TO 1/8" (IN).
- 11 INSTALL 4" STREAMBED COBBLES PER STANDARD SPECIFICATION, SECTION 9-03.11(2) AT THE OUTFALL.
- 12 RESEED GRASS AFTER PIPE INSTALLATION PER STANDARD SPECIFICATION, SECTION 8-01.3(2).



DRAIN DETAIL



DETAIL A
ISOMETRIC VIEW
PIPE OUTLET DETAIL

DRAIN PIPE DETAILS

FILE NAME	S:\Design R P& S\4-Standards\2-Plan Sheet Library\01-Published PSL\IS\ Illumination, Signals, and ITS\IS-18) Cable Vaults & Pull Box Drainage Installation\PS_IS-18_e.dgn				REGION NO.	STATE	FED.AID PROJ.NO.	DATE	P.E. STAMP BOX	DATE	P.E. STAMP BOX	Plot 1
TIME	8:51:48 AM				WASH							PLAN REF NO
DATE	2/26/2018											IS-18
PLOTTED BY	liddelf				JOB NUMBER							SHEET
DESIGNED BY					CONTRACT NO.		LOCATION NO.					OF
ENTERED BY												SHEETS
CHECKED BY												
PROJ. ENGR.												
REGIONAL ADM.					REVISION	DATE	BY					



PULL BOX AND SMALL CABLE VAULT
DRAIN PIPE DETAILS

