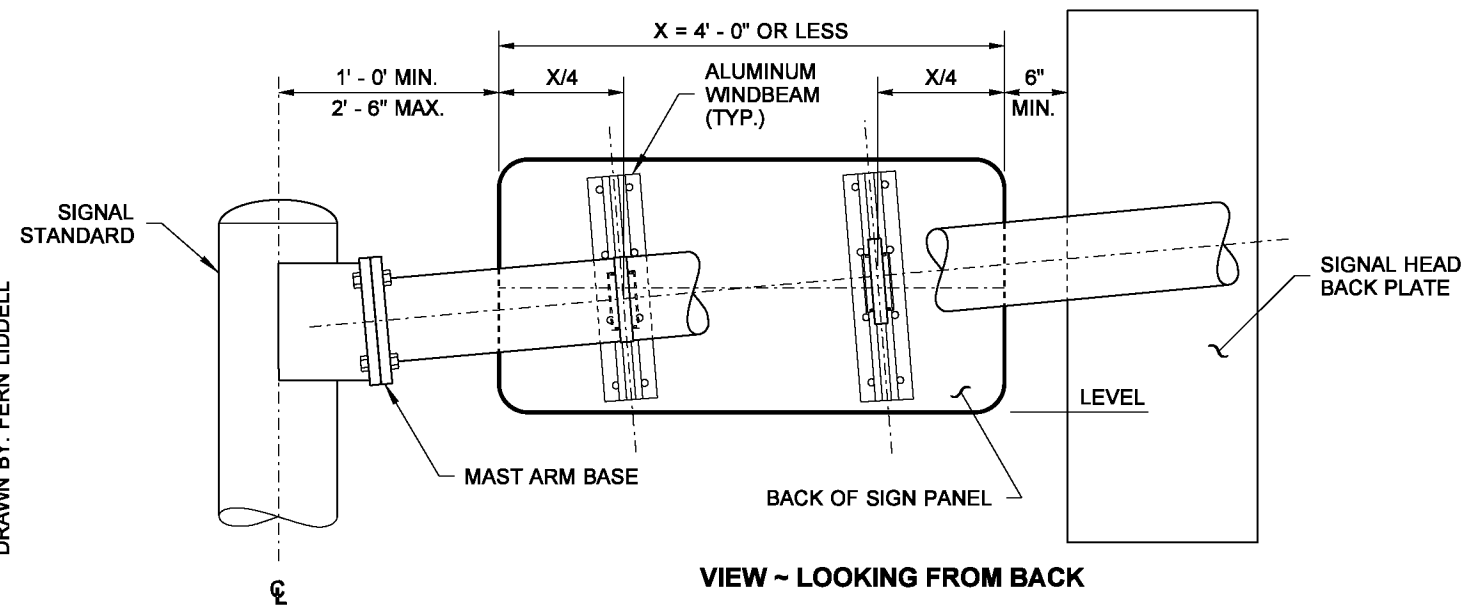
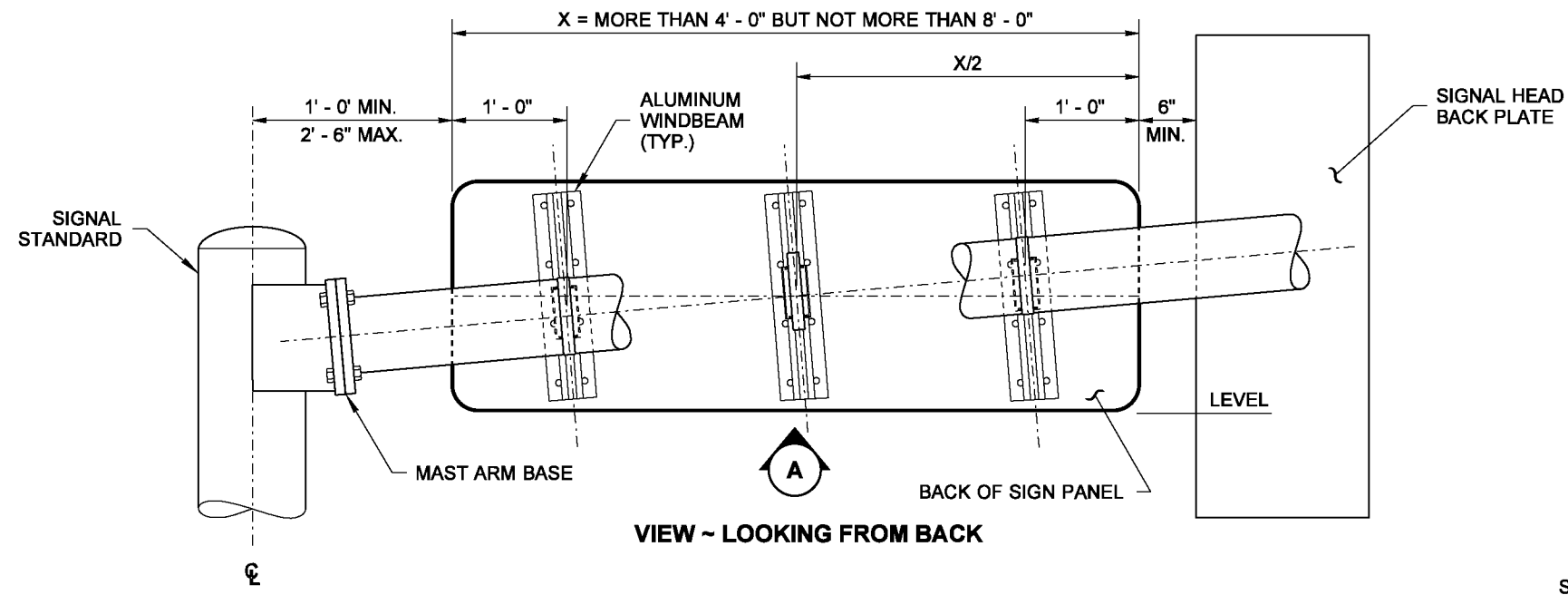


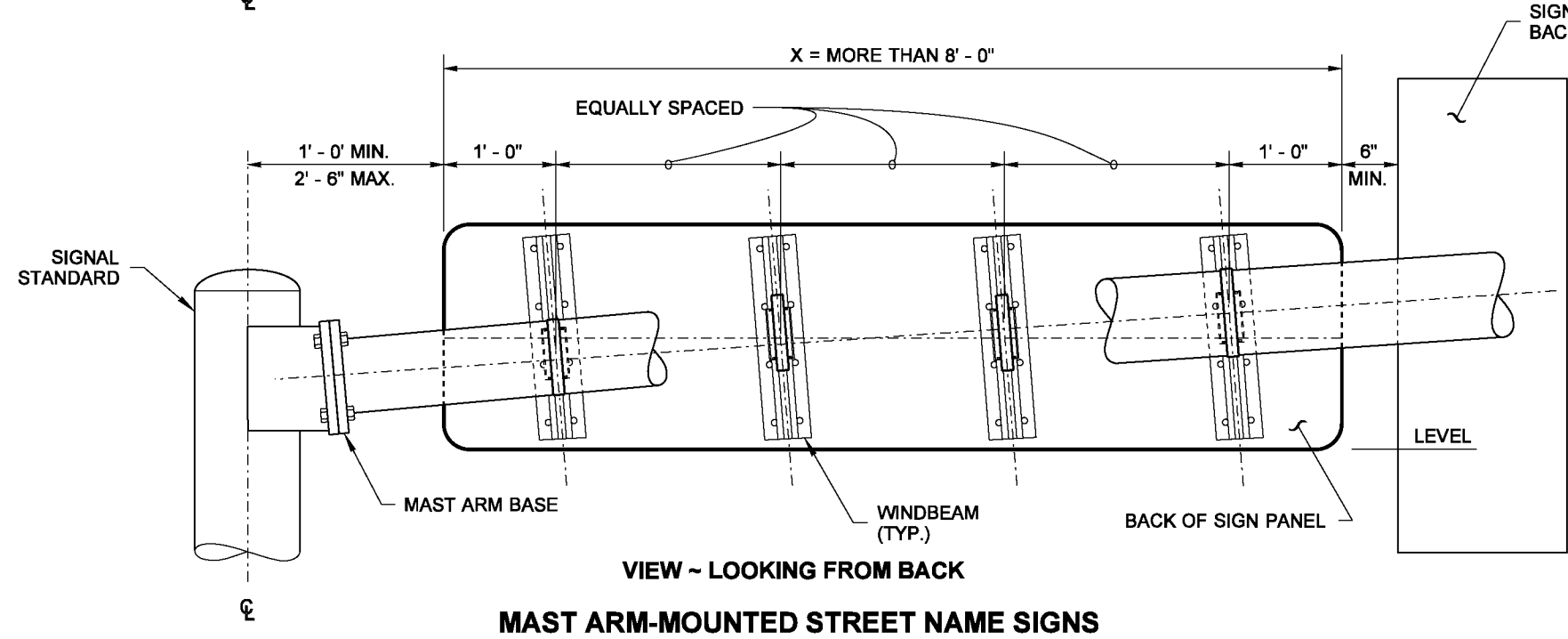
DRAWN BY: FERN LIDDELL



VIEW ~ LOOKING FROM BACK



VIEW ~ LOOKING FROM BACK

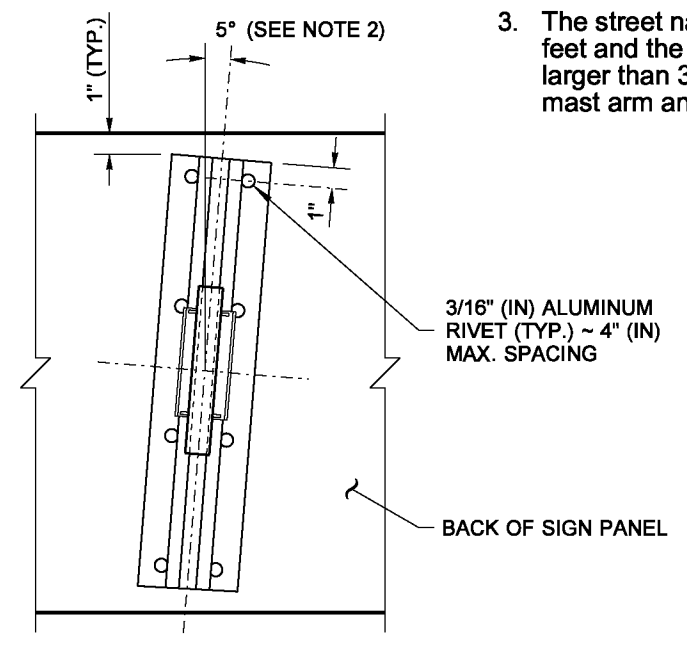


VIEW ~ LOOKING FROM BACK

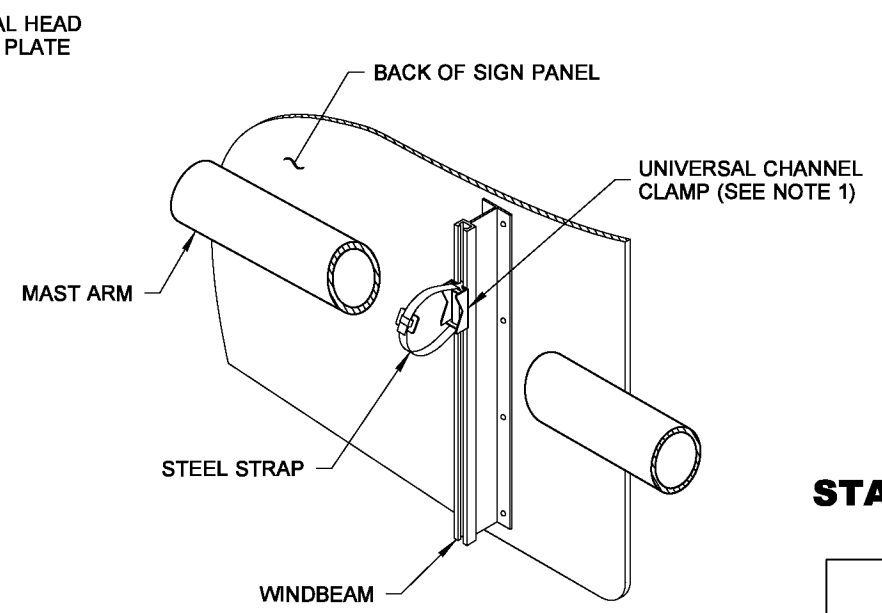
MAST ARM-MOUNTED STREET NAME SIGNS

NOTES

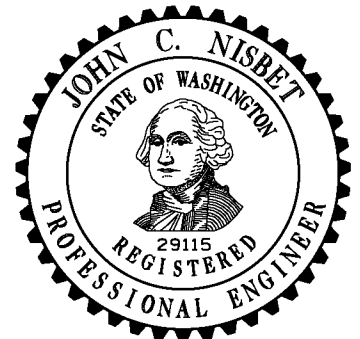
1. Mounting brackets with steel straps shall be a stainless steel band and buckle system product or an approved equal. Mounting brackets shall be universal channel clamps; steel straps shall be 3/4" (in) wide and 0.030" (in) thick.
2. All signs installed on mast arms or standards (poles) require windbeams. All signs shall be installed with horizontal edges level. A skewed windbeam is required only when the sign is mounted within 12" (in) of the mast arm base (see Detail "A").
3. The street name sign shall be a maximum of 36 square feet and the sign height is a maximum of 3' (ft); signs larger than 36 square feet require a special design mast arm and signal pole.



DETAIL A
TYPICAL FOR EACH CONNECTION



TYPICAL MAST ARM INSTALLATION



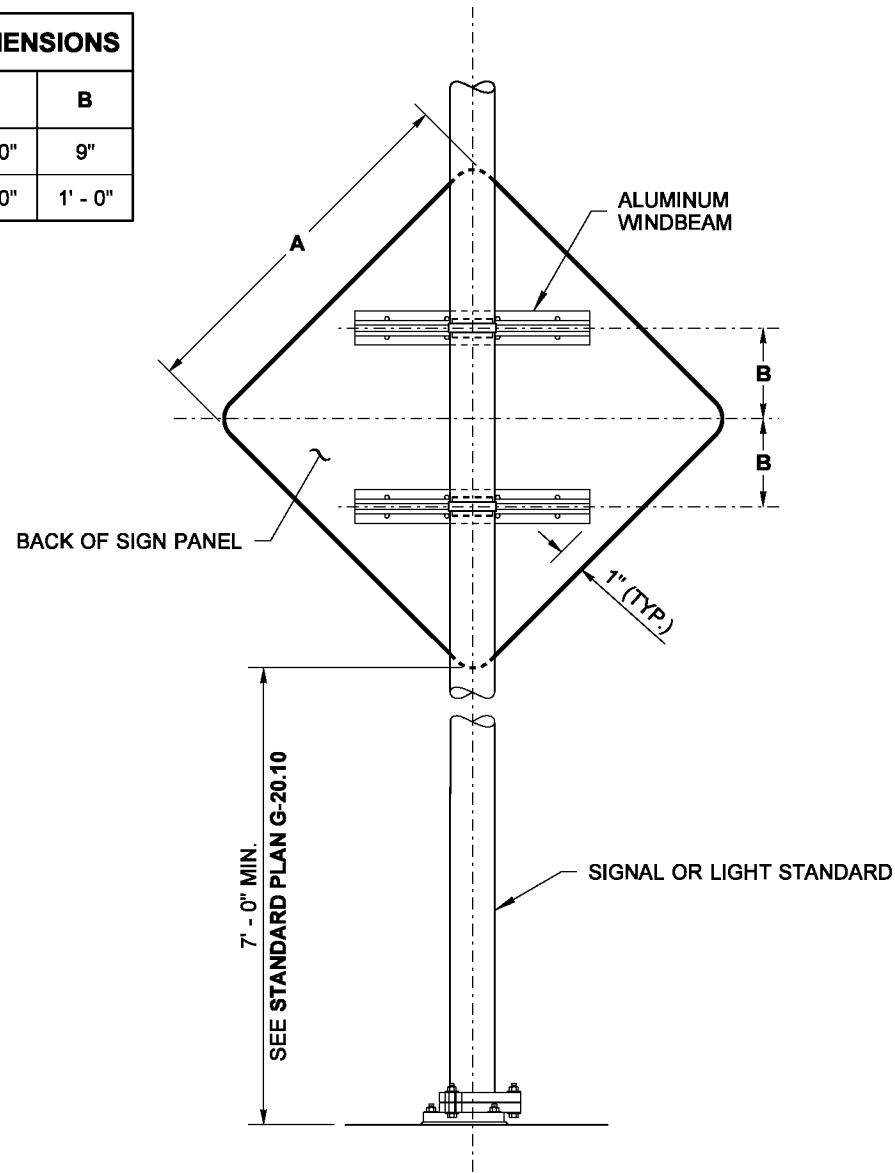
**SIGN INSTALLATION
ON SIGNAL AND
LIGHT STANDARDS
STANDARD PLAN G-30.10-04**

SHEET 1 OF 2 SHEETS

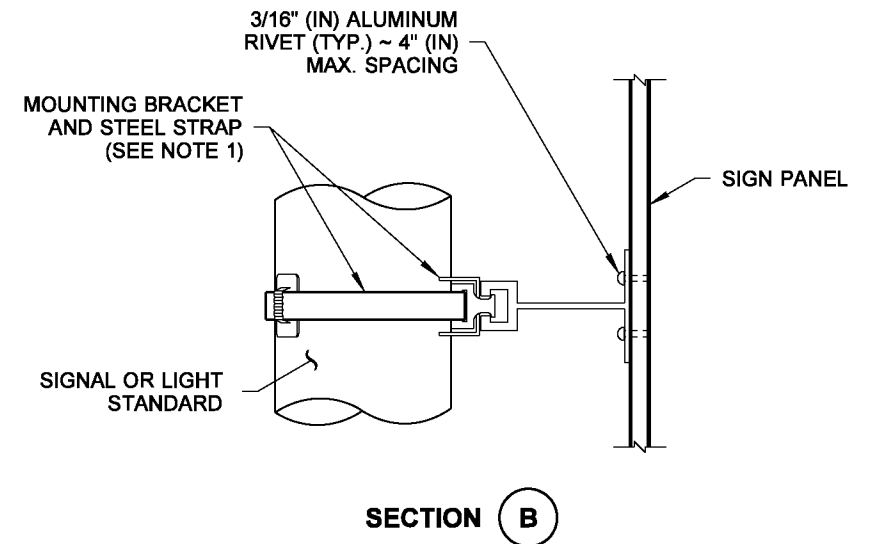
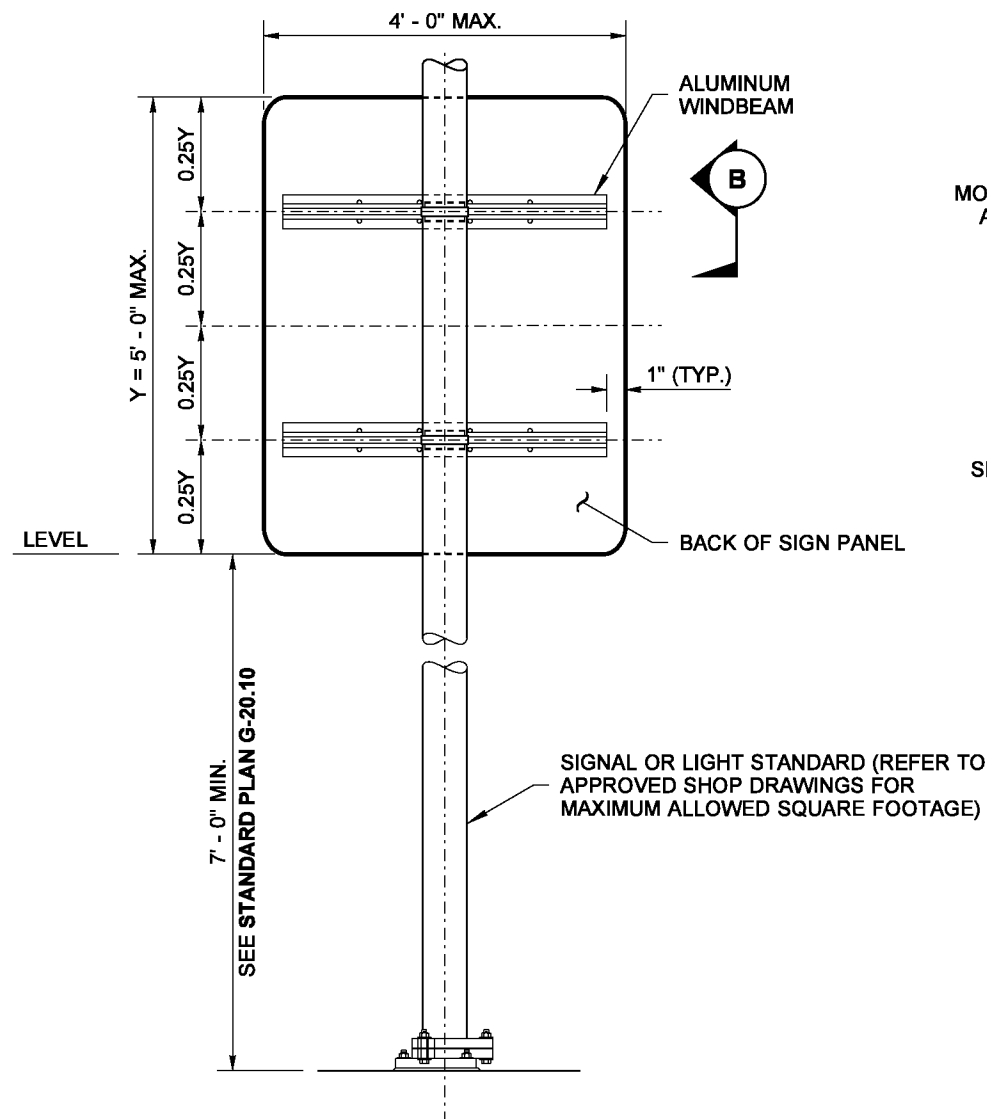
APPROVED FOR PUBLICATION

STATE DESIGN ENGINEER
Washington State Department of Transportation

DIMENSIONS	
A	B
3' - 0"	9"
4' - 0"	1' - 0"

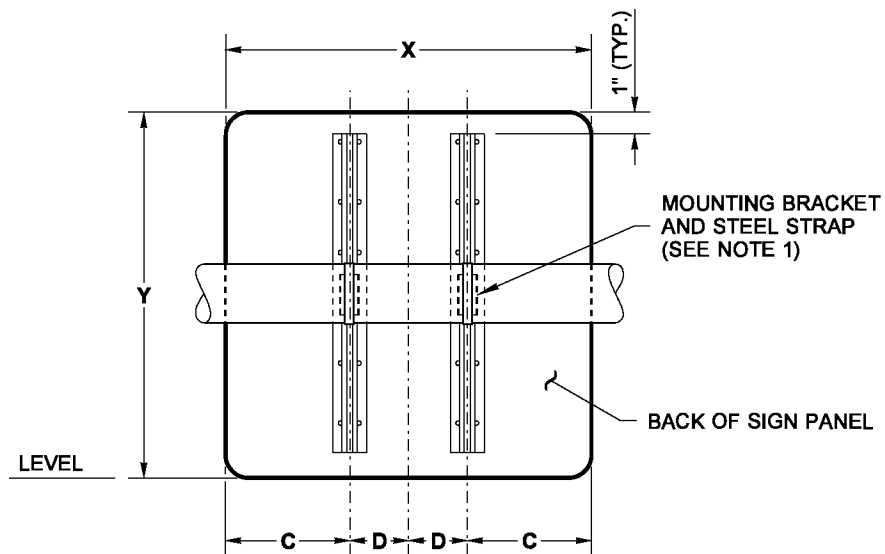


SIGN INSTALLATION ON SIGNAL OR LIGHT STANDARD



DIMENSIONS			
X	Y	C	D
3' - 0"	2' - 6"	1' - 0"	6"
3' - 0"	3' - 0"	1' - 0"	6"
3' - 0"	4' - 0"	1' - 3"	9"
4' - 0"	2' - 6"	1' - 3"	9"

NOTE:
Any Lane Use Sign greater than 7.5 sq ft. requires a Special Design Mast Arm and Signal Pole.



MAST ARM-MOUNTED LANE USE SIGNS



**SIGN INSTALLATION
ON SIGNAL AND
LIGHT STANDARDS
STANDARD PLAN G-30.10-04**

SHEET 2 OF 2 SHEETS

APPROVED FOR PUBLICATION