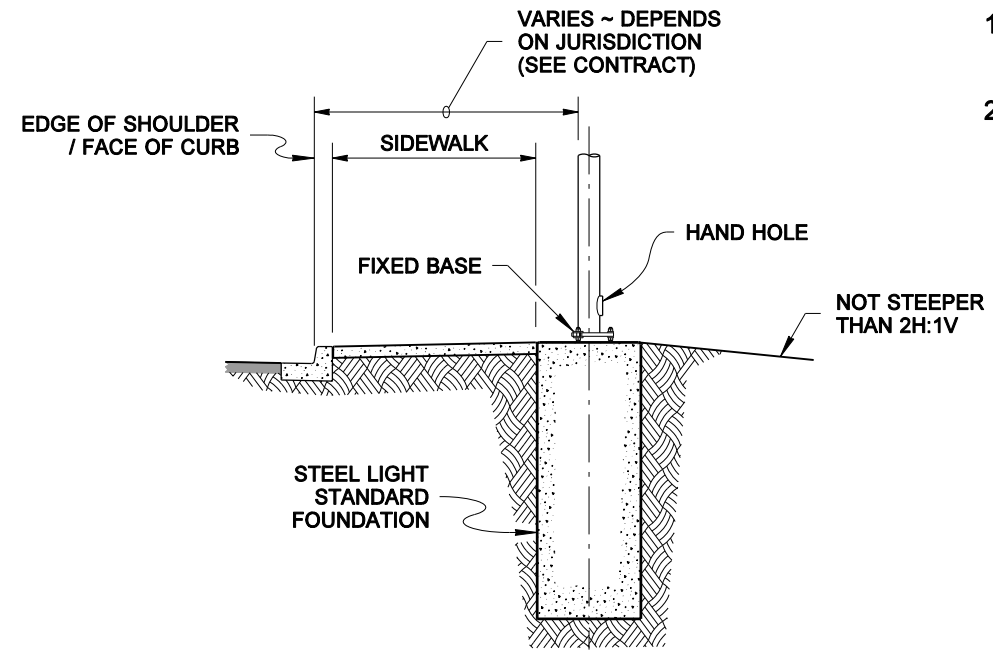


SECTION VIEW

CASE I

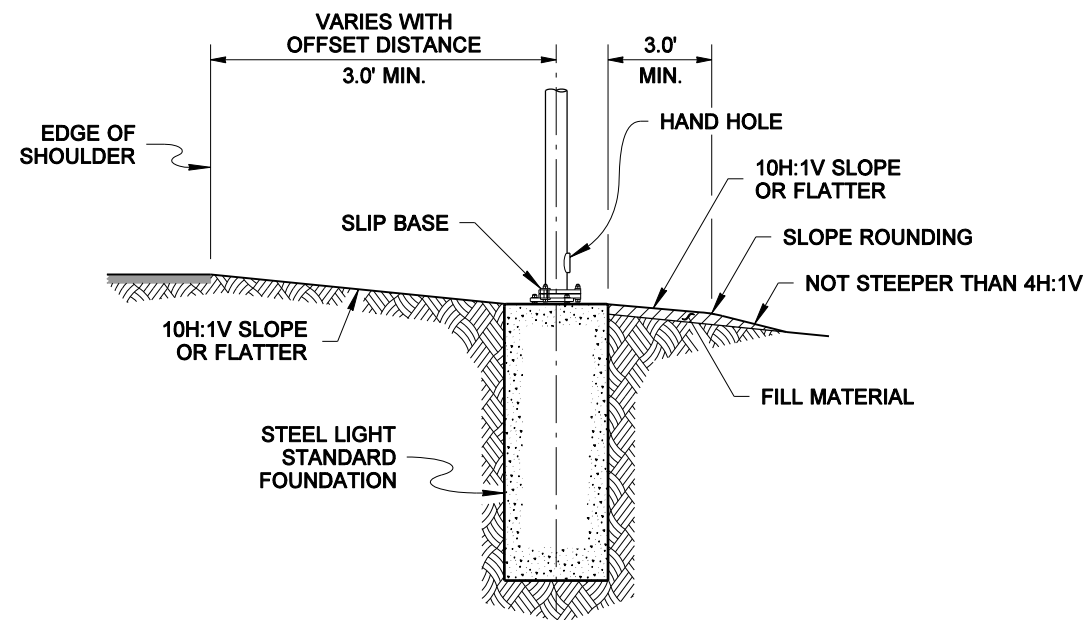
POSTED SPEED LIMIT LESS THAN 35 MPH



SECTION VIEW

CASE J

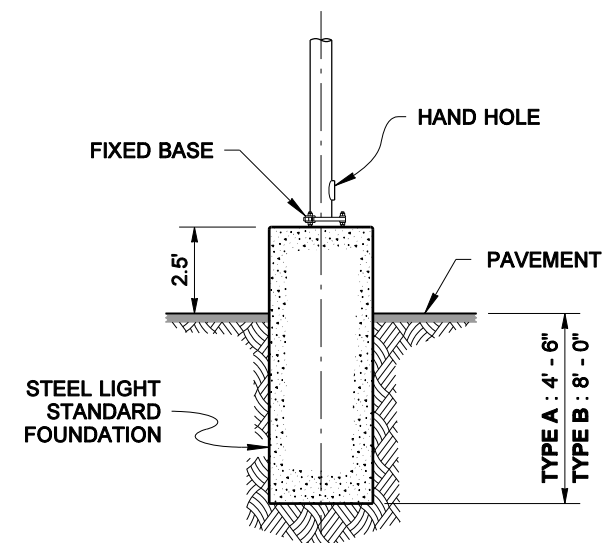
POSTED SPEED LIMIT LESS THAN 35 MPH



SECTION VIEW

CASE K

ROADWAYS WITH 10H:1V OR FLATTER SIDE SLOPES



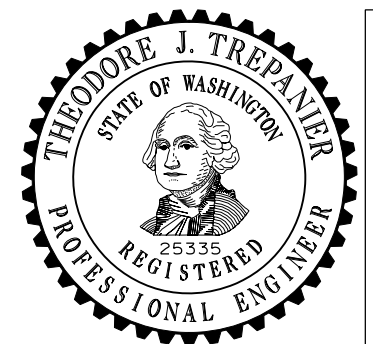
SECTION VIEW

CASE L

PARKING LOTS

NOTES

1. See **Standard Plan J-28.30** for foundation details and construction methods.
2. See **Standard Plan J-28.50** for pole base and hand hole details.



NOTE: THIS PLAN IS NOT A LEGAL ENGINEERING DOCUMENT UNTIL IT IS APPROVED AND SEALED BY THE ENGINEER AND APPROVED FOR CONSTRUCTION BY THE ENGINEER. THE ENGINEER'S SIGNATURE AND SEAL MUST BE FILED AT THE WASHINGTON STATE DEPARTMENT OF TRANSPORTATION. A COPY MAY BE OBTAINED UPON REQUEST.

**STEEL LIGHT STANDARD
PLACEMENT
MISCELLANEOUS
STANDARD PLAN J-28.26-01**

SHEET 1 OF 1 SHEET

APPROVED FOR PUBLICATION

Pasco Bakotich III 12-02-08
STATE DESIGN ENGINEER DATE

