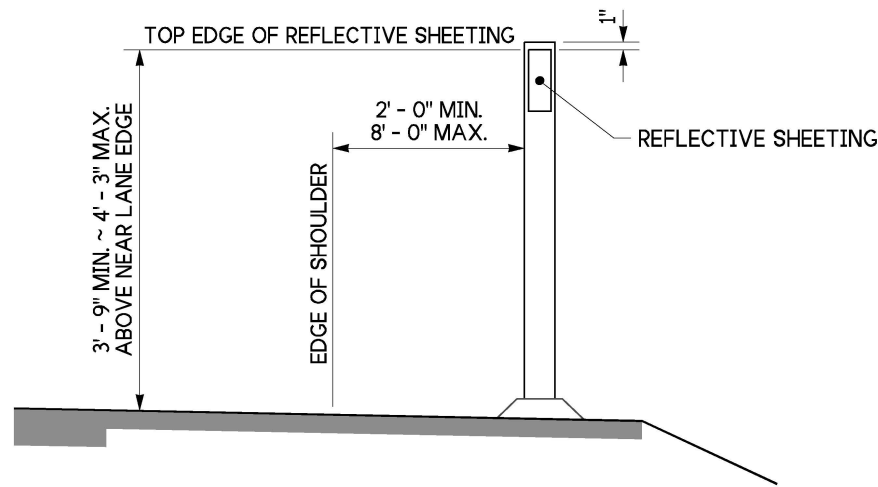
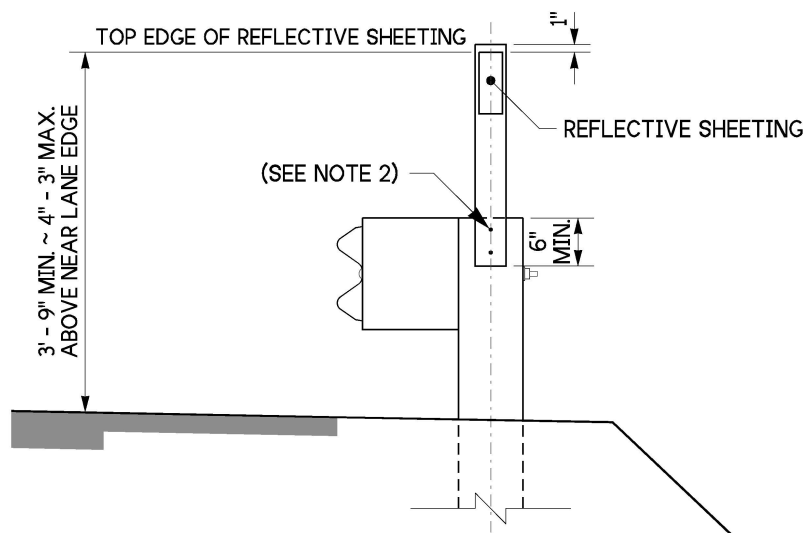


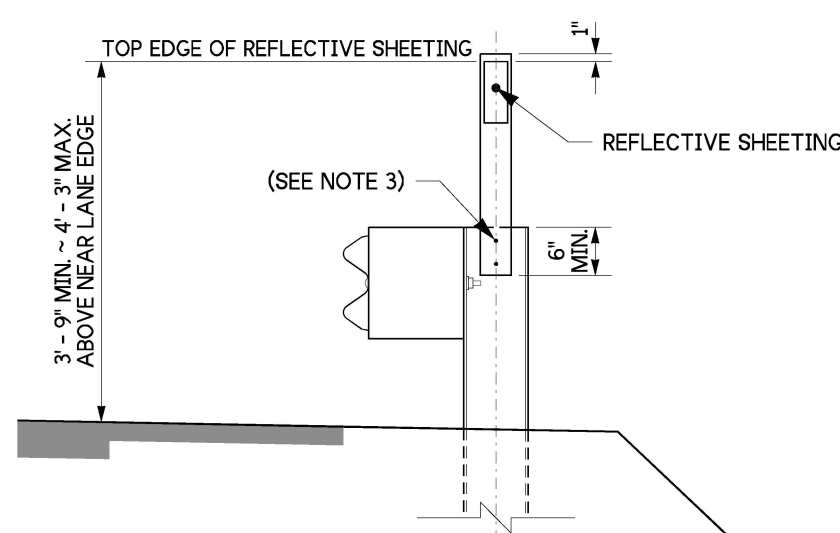
**FLEXIBLE GUIDE POST
GROUND MOUNT**



**FLEXIBLE GUIDE POST
SURFACE MOUNT**

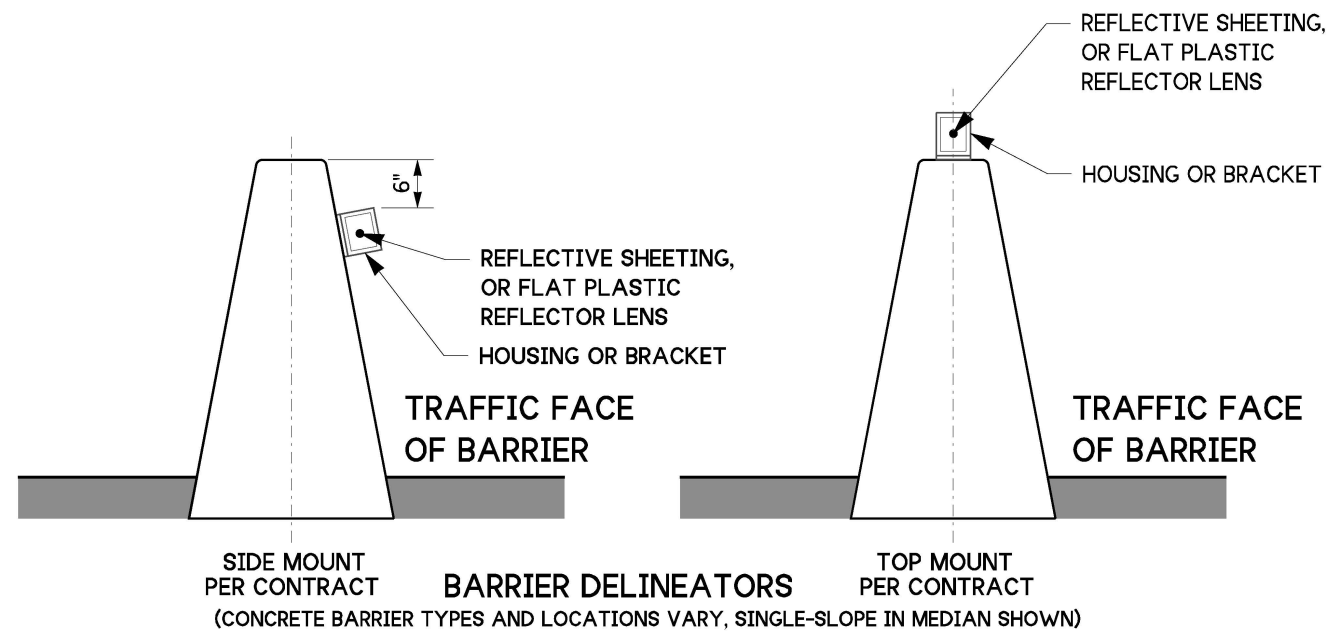


**FLEXIBLE GUIDE POST
GUARDRAIL MOUNT
(USE FOR WOODEN GUARDRAIL POSTS)**



**FLEXIBLE GUIDE POST
GUARDRAIL MOUNT
(USE FOR STEEL GUARDRAIL POSTS)**

GUIDE POST TYPE ~ REFLECTIVE SHEETING APPLICATIONS (SEE NOTE 5)			
TYPE W	TYPE WW	TYPE Y	TYPE YY
○	⊕	●	⊗
FACING TRAFFIC	FACING TRAFFIC	FACING TRAFFIC	FACING TRAFFIC
	BACK SIDE		BACK SIDE
3" 8" WHITE	3" 8" WHITE	3" 8" YELLOW	3" 8" YELLOW
	3" 4" WHITE		3" 8" YELLOW
	3" 4" WHITE		



NOTES

1. Guide Posts and Barrier Delineators per **Standard Specification Sections 8-10, 9-17 and 9-18.**
2. Guide posts shall be fastened to the wooden guardrail post using two 2" x 3/8" (in) LAG screws with washers, along centerline of post. Also acceptable is any approved attachment method submitted by the guide post manufacturer.
3. Guide posts shall be fastened to the steel guardrail posts using two Hot Dip galvanized 2" x 3/8" (in) bolts with a washer on both sides, a lock washer, and nut. The nut shall be tightened to properly compress the lock washer. The drilled holes in the guardrail post web shall be painted with galvanizing repair paint as described in **Standard Specification Section 8-11.3(1)B.** Also acceptable is any approved attachment method submitted by the guide post manufacturer.
4. Spacing of Barrier Delineators shall be as shown in the Plans.



Oct 16, 2023

**GUIDE POSTS AND
BARRIER DELINEATORS**

STANDARD PLAN M-40.10-04

SHEET 1 OF 1 SHEET

APPROVED FOR PUBLICATION

Mark A. Raines

Oct 17, 2023

STATE DESIGN ENGINEER

