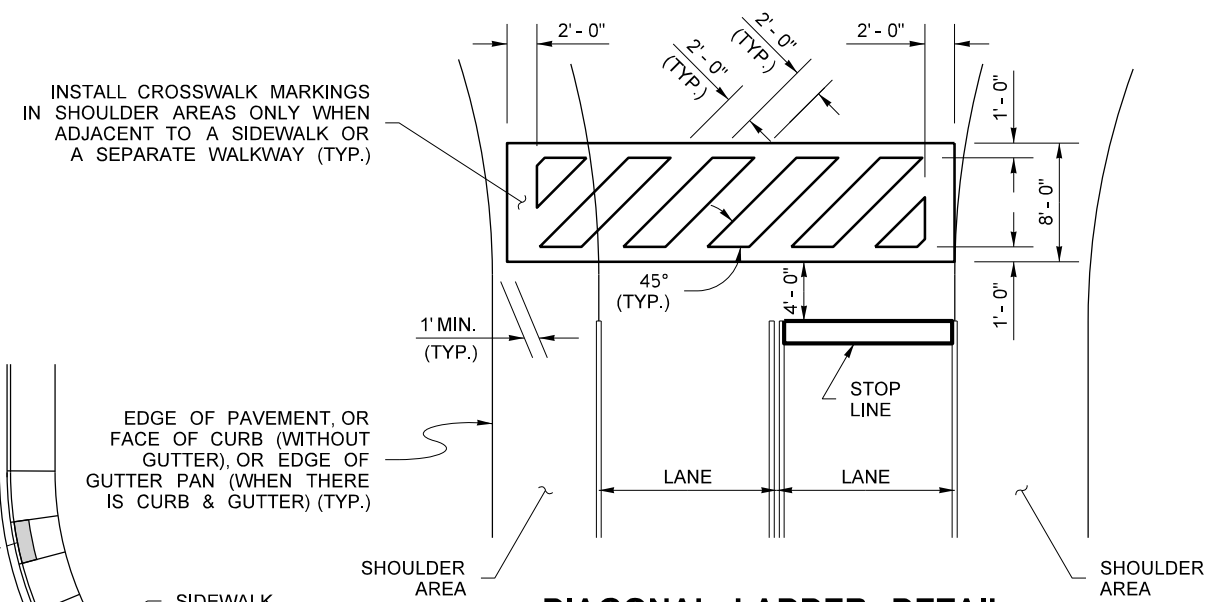
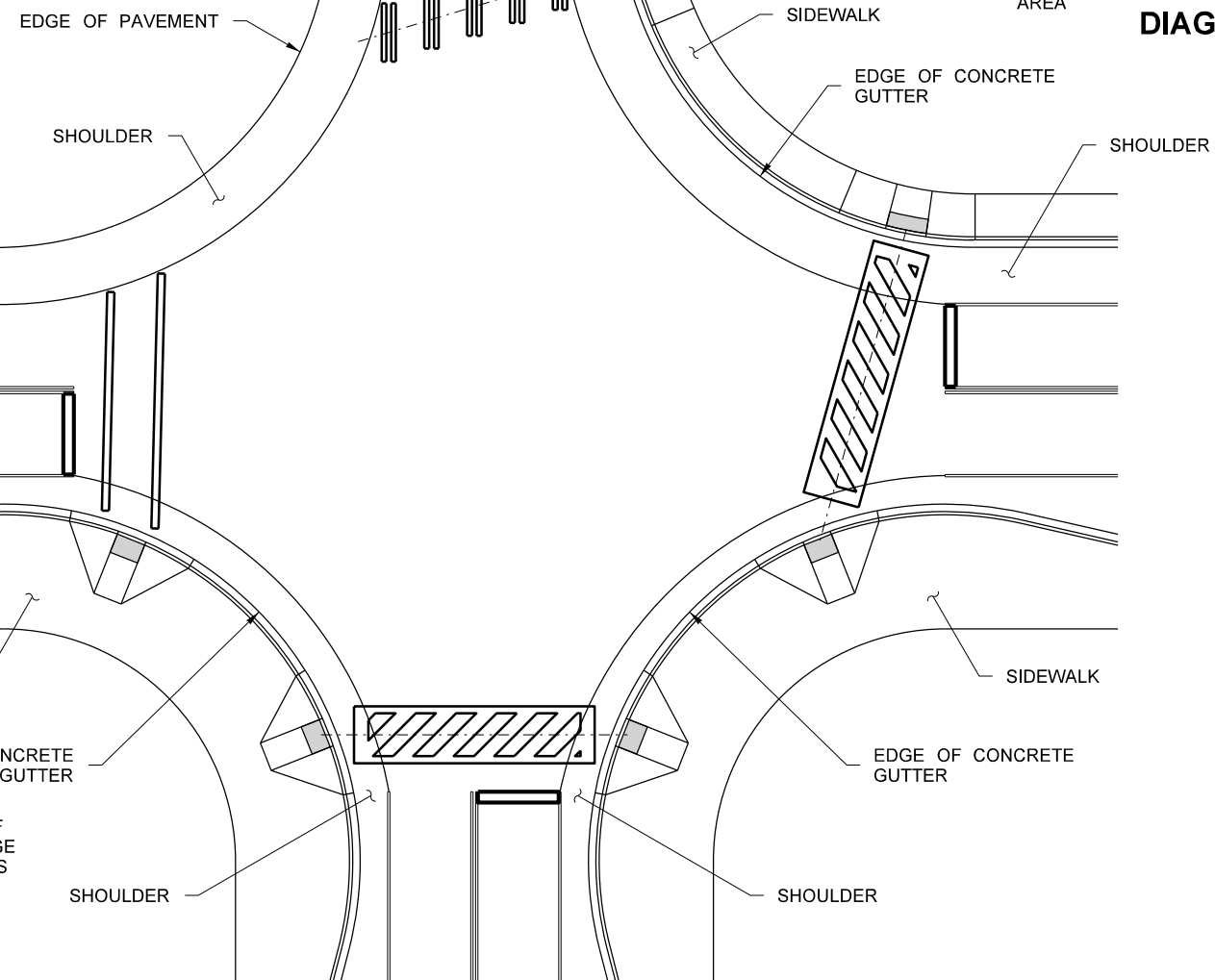


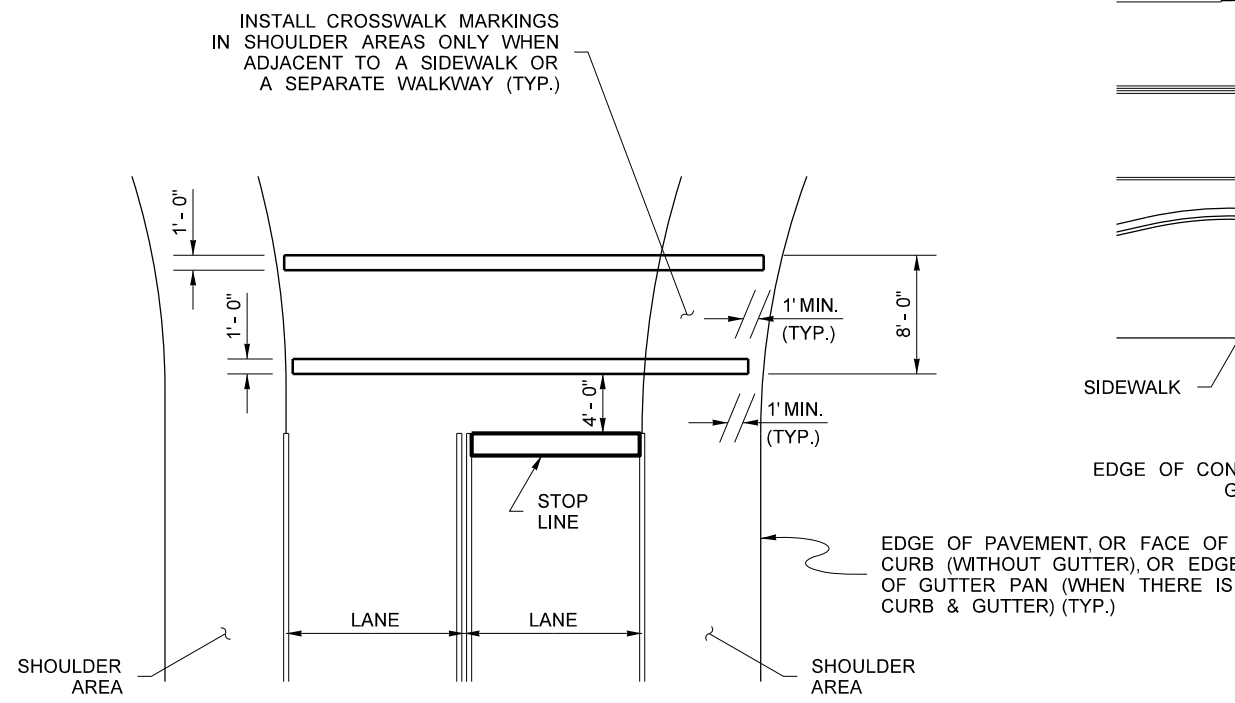
**DOUBLE LINE PATTERN DETAIL**



**DIAGONAL LADDER DETAIL**



**TYPICAL APPLICATIONS**



**TRANSVERSE LINES DETAIL**

FILE NAME	S:\Design R P& S\4-Standards\2-Plan Sheet Library\01-Published PSL(PM) Roadway Delineation and Pavement Markings(PM-2) Local Crosswalk Options\PM-2.dgn				REGION NO.	STATE	FED.AID PROJ.NO.	DATE	P.E. STAMP BOX	DATE	P.E. STAMP BOX	Washington State Department of Transportation	Plot 1 PLAN REF NO <b>PM-2</b>
TIME	3:29:24 PM				WASH							LOCAL CROSSWALK OPTIONS	SHEET 1 OF 1 SHEETS
DATE	10/2/2014				JOB NUMBER								
PLOTTED BY	FletcCo				CONTRACT NO.		LOCATION NO.						
DESIGNED BY													
ENTERED BY													
CHECKED BY													
PROJ. ENGR.													
REGIONAL ADM.					REVISION		DATE		BY				