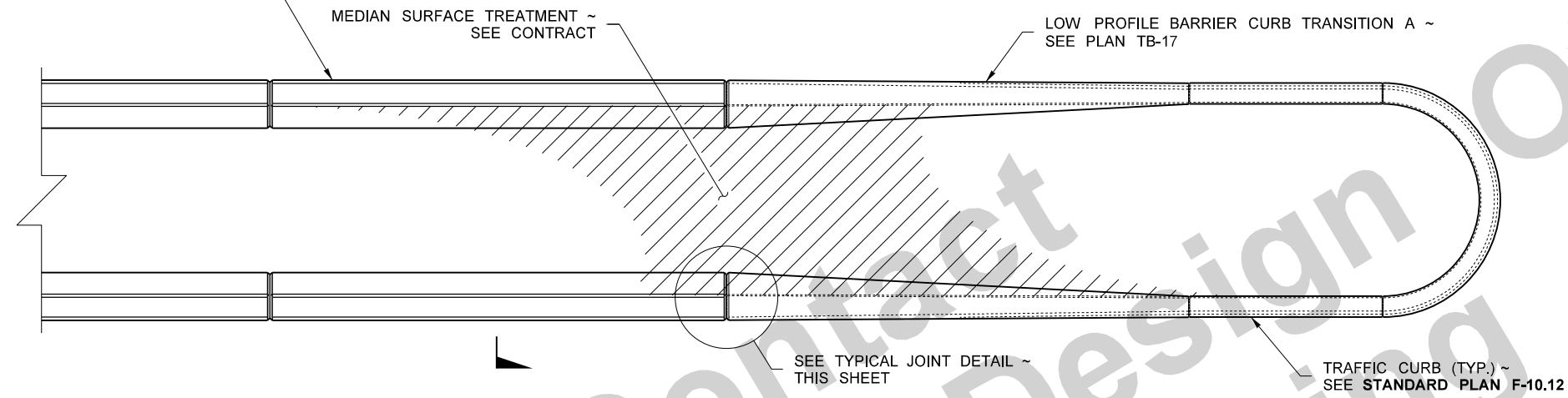
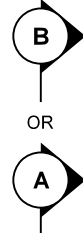
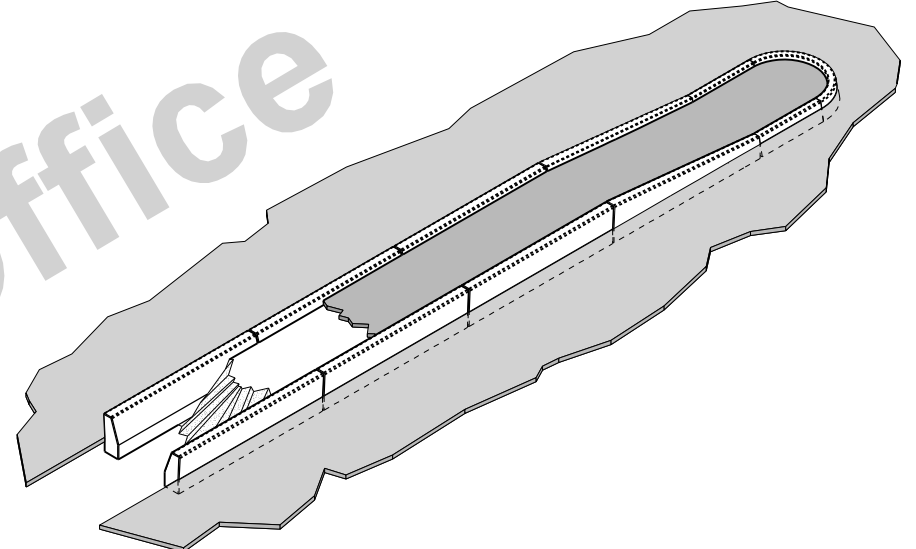


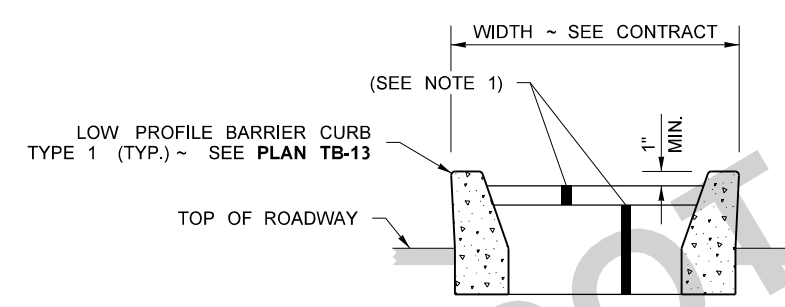
LOW PROFILE BARRIER CURB (TYP.) ~  
CURB TYPE 1 ~ SEE PLAN TB-13  
OR  
CURB TYPE 3 ~ SEE PLAN TB-15  
(TYPE 1 SHOWN)



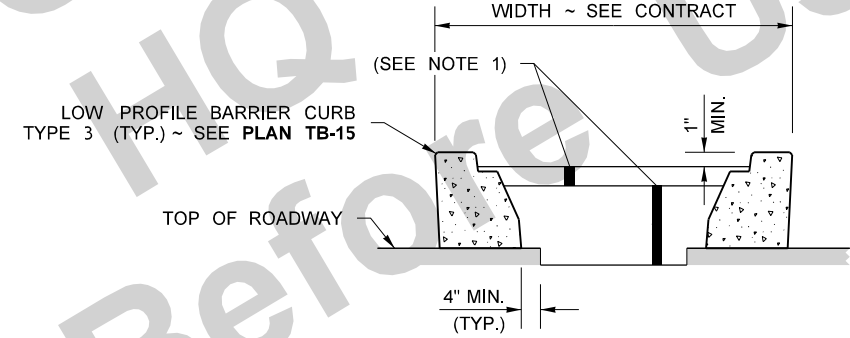
PLAN



LOW PROFILE BARRIER CURB TYPE 1 WITH TRAFFIC CURB ISOMETRIC



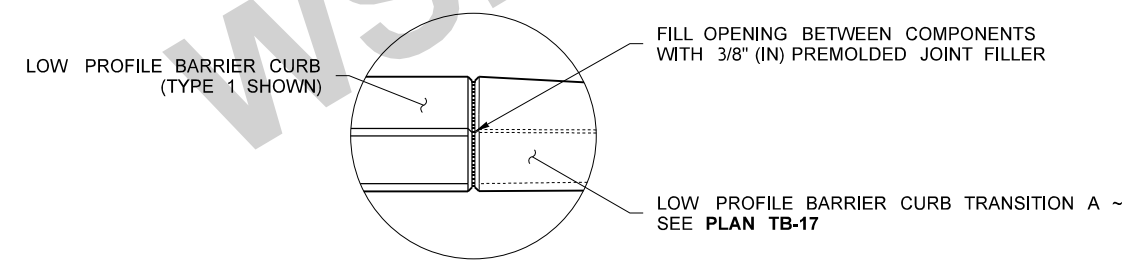
SECTION A



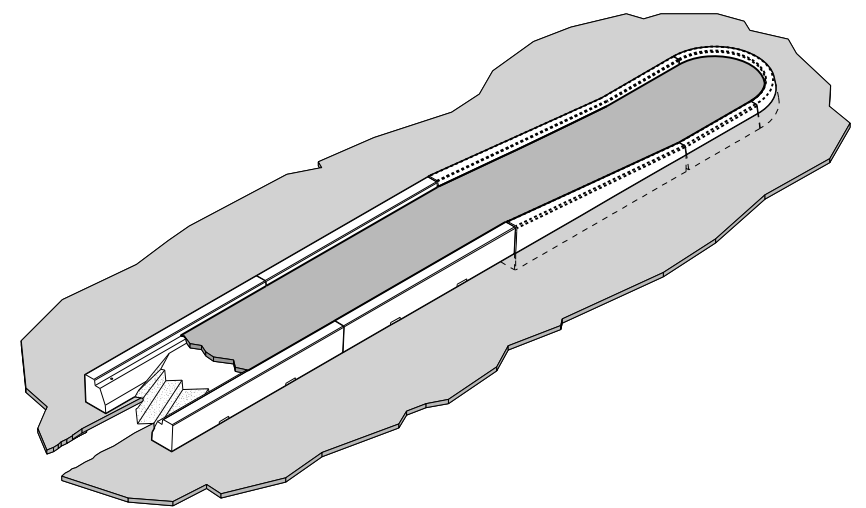
SECTION B

**NOTE**

- 1. FOR BACKFILL AND SURFACE TREATMENT, SEE CONTRACT.



TYPICAL JOINT DETAIL



LOW PROFILE BARRIER CURB TYPE 3 WITH TRAFFIC CURB ISOMETRIC

**LOW PROFILE BARRIER CURB PLACEMENT ~ CASE 3**

FILE NAME	S:\Design R P& S\4-Standards\2-Plan Sheet Library\01-Master PSL\TB Traffic Barrier\TB-20\TB-20.dgn			REGION NO.	STATE	FED.AID PROJ.NO.	<p>Washington State Department of Transportation</p>	Plot 1
TIME	9:45:29 AM			WASH				PLAN REF NO
DATE	10/10/2023							TB-20
PLOTTED BY	liddelf			JOB NUMBER				SHEET
DESIGNED BY				CONTRACT NO.				1
ENTERED BY				LOCATION NO.				OF
CHECKED BY								1
PROJ. ENGR.								SHEETS
REGIONAL ADM.	REVISION	DATE	BY					LOW PROFILE BARRIER PLACEMENT (CAST-IN-PLACE)