

U.S. Department of
Homeland Security

United States
Coast Guard



Commandant
United States Coast Guard

2703 Martin Luther King Jr Ave, SE
Washington, DC 20593-7418
Staff Symbol: CG-BRG
Phone: (202) 372-1511

16591
September 27, 2013

Kris Strickler
Columbia River Crossing
Oregon Department of Transportation
355 Capital Street NE, MS11
Salem, OR 97301-3871

RECEIVED
NOV 7 2013
Columbia River Crossing

Dear Mr. Strickler,

Enclosed is the Coast Guard Bridge Permit 2-13-13 dated September 27, 2013, approving the location and plans for a replacement bridge across the Columbia River, at mile 106.4, between Portland, Oregon and Vancouver, Washington.

Additional provisions and conditions for the proposed construction and demolition work will be provided by the Thirteenth Coast Guard District Bridge Administrator under separate correspondence. These provisions will include requirements to submit a contractors plan, schedule and sequence of operations; temporarily mark any obstructions placed in the water; keep the local Coast Guard Marine Safety Unit informed of any bridge construction or demolition activity that will affect waterway users; install permanent navigational lights; and various other reporting and documentation requirements.

If you should have any questions regarding these provisions, please contact the Thirteenth District Bridge Administrator at 206-220-7282 or at:

Bridge Administrator
Thirteenth Coast Guard District (dpw)
915 Second Ave.
Seattle, WA 98174

Sincerely,

A handwritten signature in blue ink, appearing to read "Brian L. Dunn".

BRIAN L. DUNN
Chief, Office of Bridge Programs
U.S. Coast Guard

Encl: (1) Bridge Permit 2-13-13 dated September 27, 2013
Copy: D13(dpw) w/enclosure



BRIDGE PERMIT

27 SEP 2013

(2-13-13)

WHEREAS by Title V of an act of Congress approved August 2, 1946, entitled "General Bridge Act of 1946," as amended (33 U.S.C. 525-533), the consent of Congress was granted for the construction, maintenance and operation of bridges and approaches thereto over the navigable waters of the United States;

AND WHEREAS the Secretary of Homeland Security has delegated the authority of Section 502(b) of that act to the Commandant, U. S. Coast Guard by Department of Homeland Security Delegation Number: 0170.1;

AND WHEREAS before construction is commenced, the Commandant must approve the location and plans of any such bridge and may impose any specific conditions relating to the construction, maintenance and operation of the structure deemed necessary in the interest of public navigation, such conditions to have the force of law;

AND WHEREAS the - STATE OF OREGON - has submitted for approval the location and plans indicating a design-build concept of a bridge to be constructed across the Columbia River between Portland, Oregon and Vancouver, Washington;

NOW THEREFORE, This is to certify that the location and plans dated 15 August 2013 are hereby approved by the Commandant, subject to the following conditions:

1. No deviation from the approved plans may be made either before or after completion of the structure unless the modification of said plans has previously been submitted to and received the approval of the Commandant. Any deviation from the approved plans without approval from the Commandant will render this permit null and void.

2. The construction of falsework, pilings, cofferdams or other obstructions, shall be in accordance with plans submitted to and approved by the Commander, Thirteenth Coast Guard District, prior to construction of the bridge. All work shall be so conducted that the free navigation of the waterway is not unreasonably interfered with and the present navigable depths are not impaired. Timely notice of any and all events that may affect navigation shall be given to the District Commander during construction of the bridge. The channel or channels through the structure shall be promptly cleared of all obstructions placed therein or caused by the construction of the bridge to the satisfaction of the District Commander, when in the judgment of the District Commander the construction work has reached a point where such action should be taken.

Bridge across the Columbia River between Portland, Oregon and Vancouver, Washington BRIDGE PERMIT
(2-13-13)

3. Issuance of this permit does not relieve the permittee of the obligation or responsibility for compliance with the provisions of any other law or regulation as may be under the jurisdiction of the U.S. Department of Commerce, National Marine Fisheries Service, or any federal, state or local authority having cognizance of any aspect of the location, construction or maintenance of said bridge.

4. Prior to commencement of construction, the permittee shall submit to the Commandant for approval, plans showing the final design chosen for the construction of the bridge. The final design chosen shall, at a minimum, provide the navigational clearances as shown on the approved plan sheets 2 and 3 (of 7) dated 15 August 2013. Failure by the permittee to adhere to any part of this condition renders this permit null and void.

5. The location of, and materials to be used in construction of, the pier protection fender system as shown on the approved plan sheets 2 and 4 (of 7) dated 15 August 2013 shall be submitted to the District Commander prior to commencing construction of such system.

6. Clearance gauges shall be installed and maintained in a good and legible condition by and at the expense of the owner of the bridge when so required by the District Commander. The type of gauges and the locations in which they are to be installed will be submitted to the District Commander for approval.

7. All parts of the temporary work structures which are located within the limits of the existing or proposed navigational channels shall be removed down to a minimum of seven feet below the authorized navigational depth. All other parts of the temporary work structures shall be removed down to or below the mud line and the waterway cleared to the satisfaction of the District Commander when in the judgment of the District Commander the construction of the new bridge, mile 106.4, has reached a point where such action should be taken.

8. All parts of the existing to-be-replaced Interstate 5 Bridge across the Columbia River, mile 106.5, not utilized in the new bridge, which are located within the limits of the proposed navigational channels shall be removed down to a minimum of seven feet below the authorized navigational depth. All other parts located within the waterway shall be removed down to or below the mud line and the waterway cleared to the satisfaction of the District Commander. All parts located on land shall be removed to a minimum of two feet below the natural ground line. Such removal and clearance shall be completed when the District Commander determines that the construction of the new bridge, mile 106.4, has reached a point where such action should be taken.

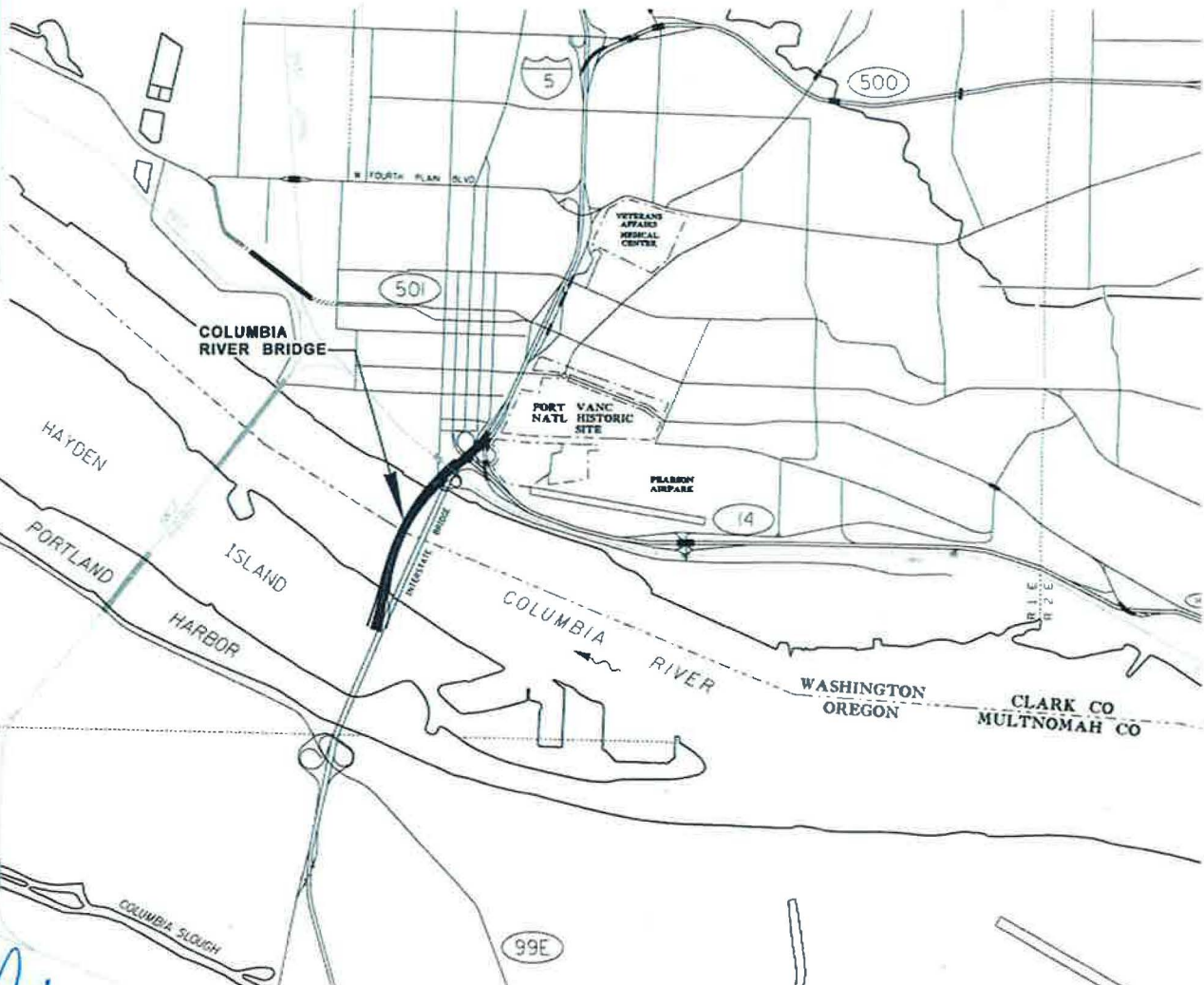
9. When the proposed bridge is no longer used for transportation purposes, it shall be removed in its entirety or to an elevation deemed appropriate by the District Commander and the waterway cleared to the satisfaction of the District Commander. Such removal and clearance shall be completed by and at the expense of the owner of the bridge upon due notice from the District Commander.

10. The approval hereby granted shall cease and be null and void unless construction of the bridge is commenced within three years and completed within five years after the date of this permit.



JOHN P. CURRIER
Vice Admiral, U.S. Coast Guard
Acting Commandant





APPROVED
 27 SEP 2013
 P(2-13-13)
U.S. COAST GUARD



DATUM
NAVD 1988



COLUMBIA RIVER CROSSING
 INTERSTATE 5 OVER COLUMBIA RIVER, MILE 106.4 AT
 VANCOUVER, WA (CLARK COUNTY) & PORTLAND, OR (MULTNOMAH COUNTY)
APPLICATION BY: WASHINGTON STATE DEPARTMENT OF TRANSPORTATION
 & OREGON DEPARTMENT OF TRANSPORTATION
ROUTE: INTERSTATE 5 **DATE:** AUG. 15, 2013
VICINITY MAP

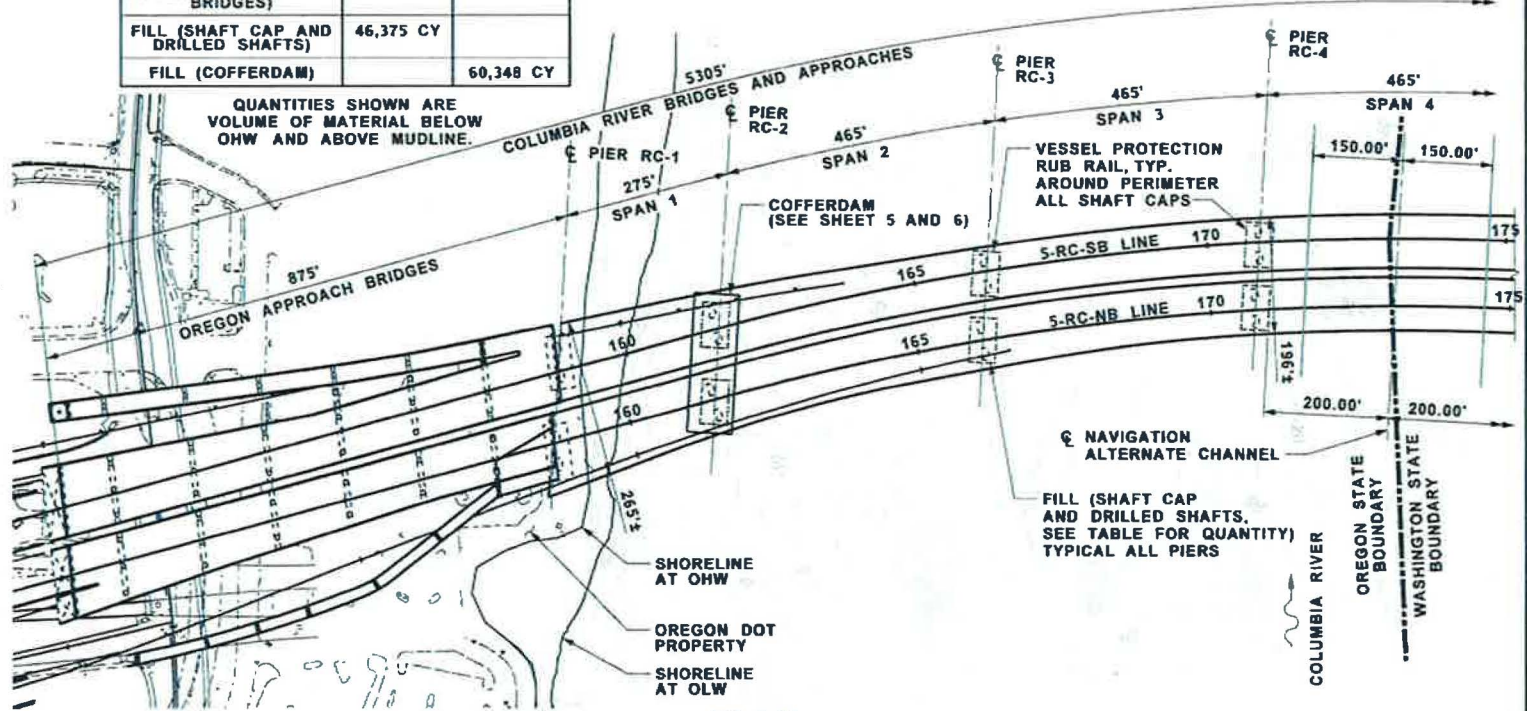
SHEET
 1
 OF
 7
 SHEETS

NOTES:

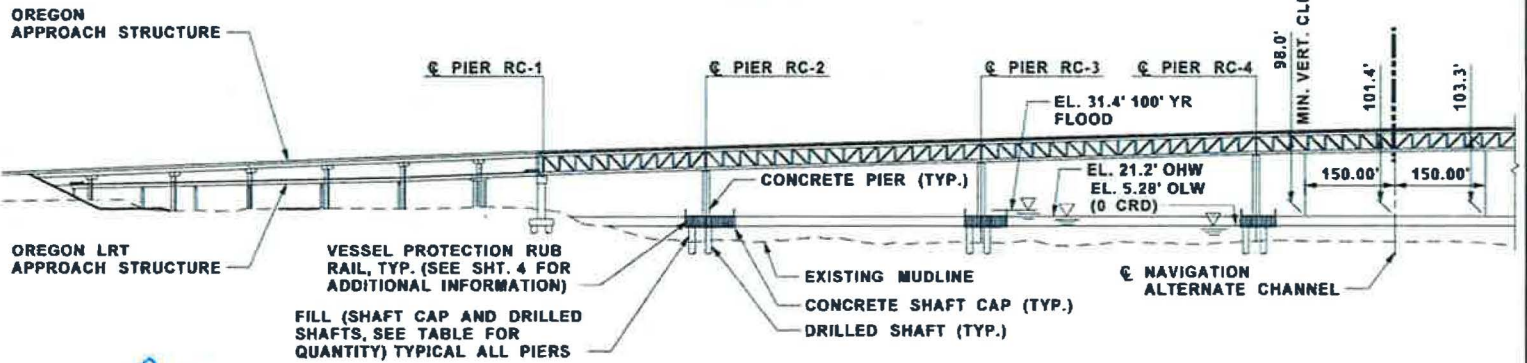
1. THE BRIDGE IS BEING DESIGNED IN ACCORDANCE WITH AASHTO LRFD BRIDGE DESIGN SPECIFICATIONS, 6TH EDITION. VESSEL COLLISION IS PER ARTICLE 3.14 WITH AN OPERATIONAL CLASSIFICATION OF "CRITICAL". THE LARGEST DESIGN VESSEL IS A 400-FT x 100-FT OCEAN BARGE WITH A DWT OF 21,500 TONNES.
2. THE BRIDGE IS BEING DESIGNED TO WITHSTAND THE COLLISION FORCES FROM THE VESSEL INDICATED IN NOTE 1 WITHOUT ANY ADDITIONAL PROTECTION SUCH AS FENDERS, DIKES OR DOLPHINS. THEREFORE ADDITIONAL PROTECTION IS NOT REQUIRED.
3. THE OUT-TO-OUT WIDTH OF THE OREGON APPROACH BRIDGES VARIES FROM 189'+/- TO 270'+/-.

ITEM	PERMANENT	TEMPORARY
EXCAVATION (REMOVAL OF EXIST. INTERSTATE BRIDGES)	43,868 CY	
FILL (SHAFT CAP AND DRILLED SHAFTS)	46,375 CY	
FILL (COFFERDAM)		60,348 CY

QUANTITIES SHOWN ARE VOLUME OF MATERIAL BELOW OHW AND ABOVE MUDLINE.



PLAN



DEVELOPED ELEVATION



DATUM
NAVD 1988



UNITED STATES COAST GUARD BRIDGE PERMIT DRAWINGS

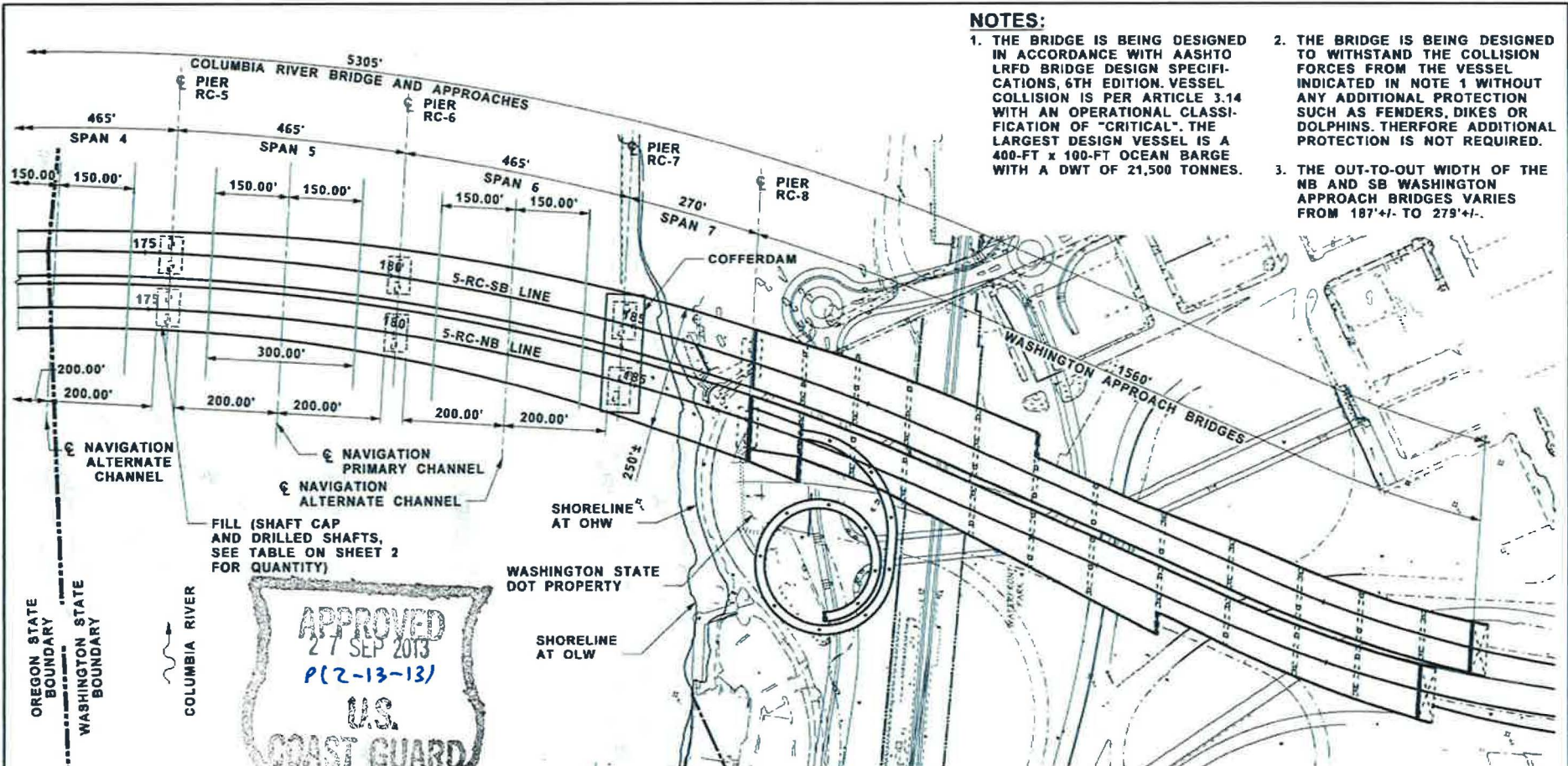
COLUMBIA RIVER CROSSING
 INTERSTATE 5 OVER COLUMBIA RIVER, MILE 106.4 AT
 VANCOUVER, WA (CLARK COUNTY) & PORTLAND, OR (MULTNOMAH COUNTY)
 APPLICATION BY: WASHINGTON STATE DEPARTMENT OF TRANSPORTATION
 & OREGON DEPARTMENT OF TRANSPORTATION
 ROUTE: INTERSTATE 5 DATE: AUG. 15, 2013

COLUMBIA RIVER BRIDGE

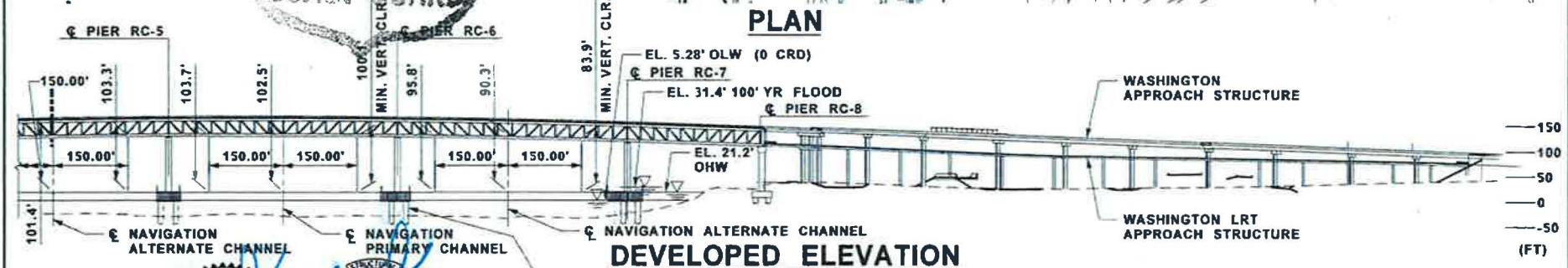
SHEET 2 OF 7 SHEETS

NOTES:

1. THE BRIDGE IS BEING DESIGNED IN ACCORDANCE WITH AASHTO LRFD BRIDGE DESIGN SPECIFICATIONS, 6TH EDITION. VESSEL COLLISION IS PER ARTICLE 3.14 WITH AN OPERATIONAL CLASSIFICATION OF "CRITICAL". THE LARGEST DESIGN VESSEL IS A 400-FT x 100-FT OCEAN BARGE WITH A DWT OF 21,500 TONNES.
2. THE BRIDGE IS BEING DESIGNED TO WITHSTAND THE COLLISION FORCES FROM THE VESSEL INDICATED IN NOTE 1 WITHOUT ANY ADDITIONAL PROTECTION SUCH AS FENDERS, DIKES OR DOLPHINS. THEREFORE ADDITIONAL PROTECTION IS NOT REQUIRED.
3. THE OUT-TO-OUT WIDTH OF THE NB AND SB WASHINGTON APPROACH BRIDGES VARIES FROM 187'+/- TO 279'+/-.



PLAN



DEVELOPED ELEVATION



REVISIONS: 12-31-2013

DATUM
NAVD 1988



FILL (SHAFT CAP AND DRILLED SHAFTS, SEE TABLE ON SHEET 2 FOR QUANTITY)

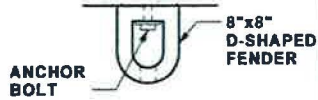
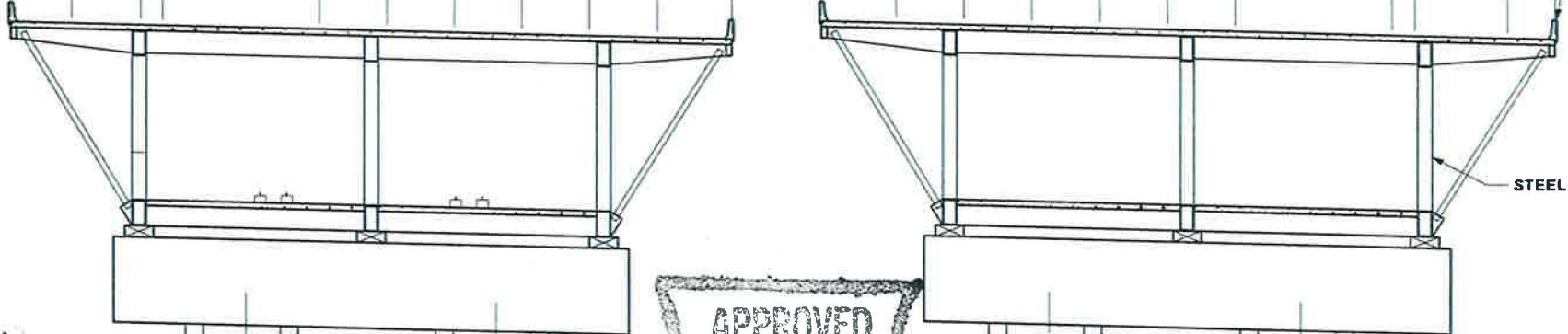


<p>COLUMBIA RIVER CROSSING INTERSTATE 5 OVER COLUMBIA RIVER, MILE 106.4 AT VANCOUVER, WA (CLARK COUNTY) & PORTLAND, OR (MULTNOMAH COUNTY)</p>	
<p>APPLICATION BY: WASHINGTON STATE DEPARTMENT OF TRANSPORTATION & OREGON DEPARTMENT OF TRANSPORTATION</p>	<p>ROUTE: INTERSTATE 5</p>
<p>DATE: AUG. 15, 2013</p>	
<p>COLUMBIA RIVER BRIDGE</p>	

SHEET
3
OF
7
SHEETS

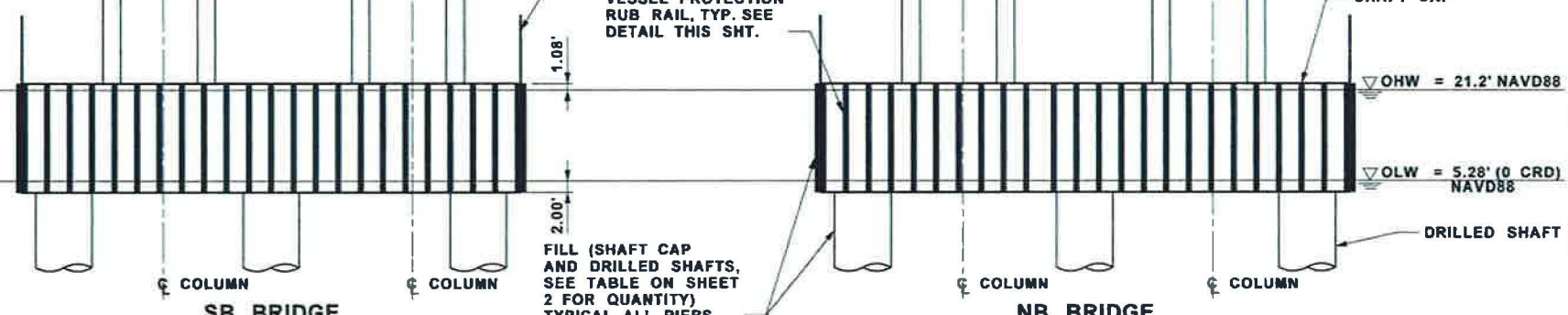
VARIES 196'± TO 265'±

VARIES SH. LANE SH. VARIES VARIES VARIES VARIES VARIES 12' 12' 12' 12' 12' 15' 12' 12' 12' 12' 12' VARIES VARIES VARIES VARIES VARIES VARIES VARIES SH. LANE SH. LANE SH.



**RUB RAIL
DETAIL**

HIGH WATER MARKER, TYP.
VESSEL PROTECTION
RUB RAIL, TYP. SEE
DETAIL THIS SHT.



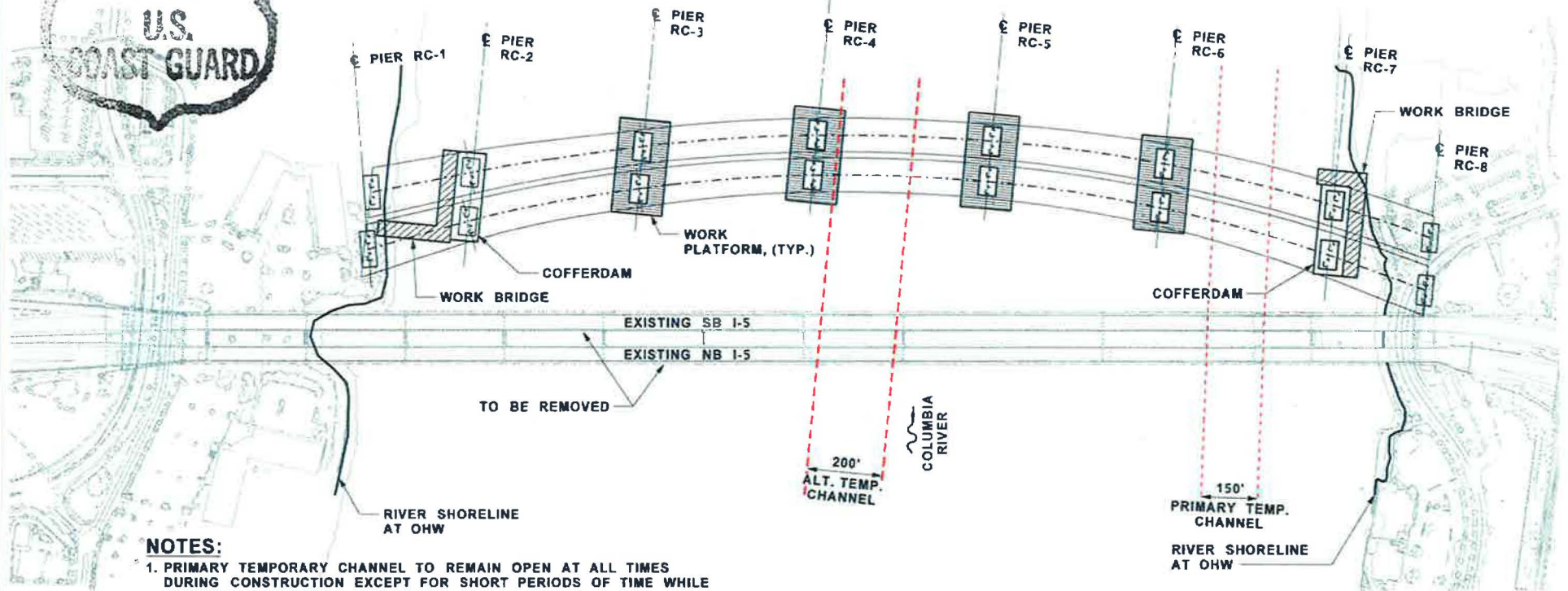
TYPICAL SECTION

DATUM
NAVD 1988



COLUMBIA RIVER CROSSING INTERSTATE 5 OVER COLUMBIA RIVER, MILE 106.4 AT VANCOUVER, WA (CLARK COUNTY) & PORTLAND, OR (MULTNOMAH COUNTY)		SHEET 4 OF 7 SHEETS
APPLICATION BY: WASHINGTON STATE DEPARTMENT OF TRANSPORTATION & OREGON DEPARTMENT OF TRANSPORTATION	DATE: AUG. 15, 2013	
ROUTE: INTERSTATE 5		COLUMBIA RIVER BRIDGE - TYPICAL SECTION

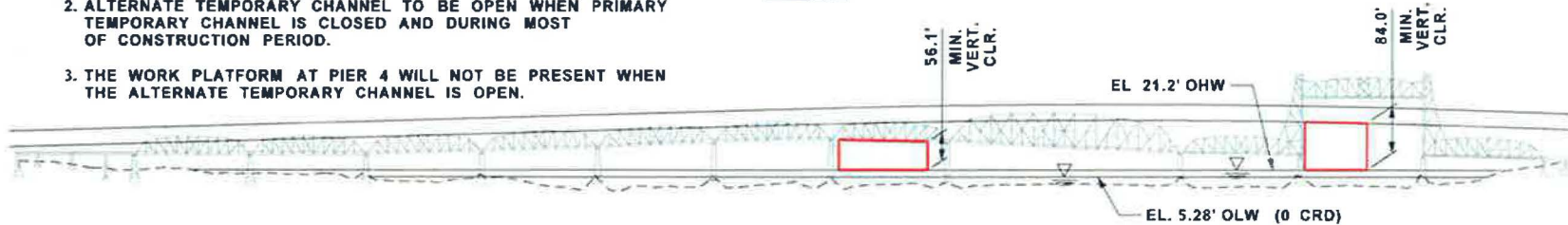
UNITED STATES COAST GUARD BRIDGE PERMIT DRAWINGS



NOTES:

1. PRIMARY TEMPORARY CHANNEL TO REMAIN OPEN AT ALL TIMES DURING CONSTRUCTION EXCEPT FOR SHORT PERIODS OF TIME WHILE OVERHEAD CONSTRUCTION OCCURS.
2. ALTERNATE TEMPORARY CHANNEL TO BE OPEN WHEN PRIMARY TEMPORARY CHANNEL IS CLOSED AND DURING MOST OF CONSTRUCTION PERIOD.
3. THE WORK PLATFORM AT PIER 4 WILL NOT BE PRESENT WHEN THE ALTERNATE TEMPORARY CHANNEL IS OPEN.

PLAN



ELEVATION

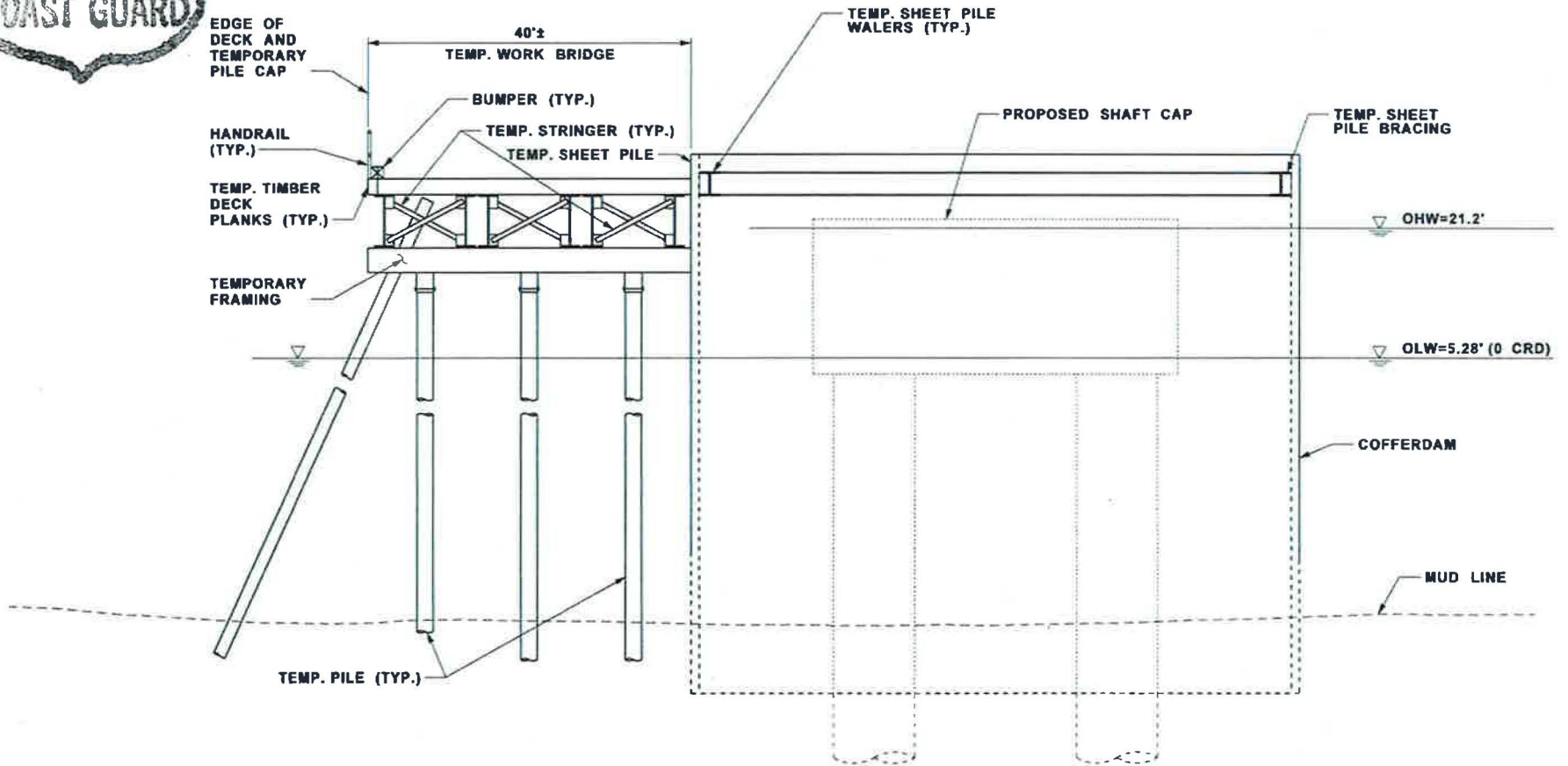
DATUM
NAVD 1988



UNITED STATES COAST GUARD BRIDGE PERMIT DRAWINGS

COLUMBIA RIVER CROSSING INTERSTATE 5 OVER COLUMBIA RIVER, MILE 106.4 AT VANCOUVER, WA (CLARK COUNTY) & PORTLAND, OR (MULTNOMAH COUNTY)	
APPLICATION BY: WASHINGTON STATE DEPARTMENT OF TRANSPORTATION & OREGON DEPARTMENT OF TRANSPORTATION	DATE: AUG. 15, 2013
ROUTE: INTERSTATE 5	TEMPORARY STRUCTURES/FALSEWORK PLAN

SHEET
5
OF
7
SHEETS



TYPICAL FOUNDATION SECTION ~ PIER RC-2 & RC-7

DATUM
NAVD 1988



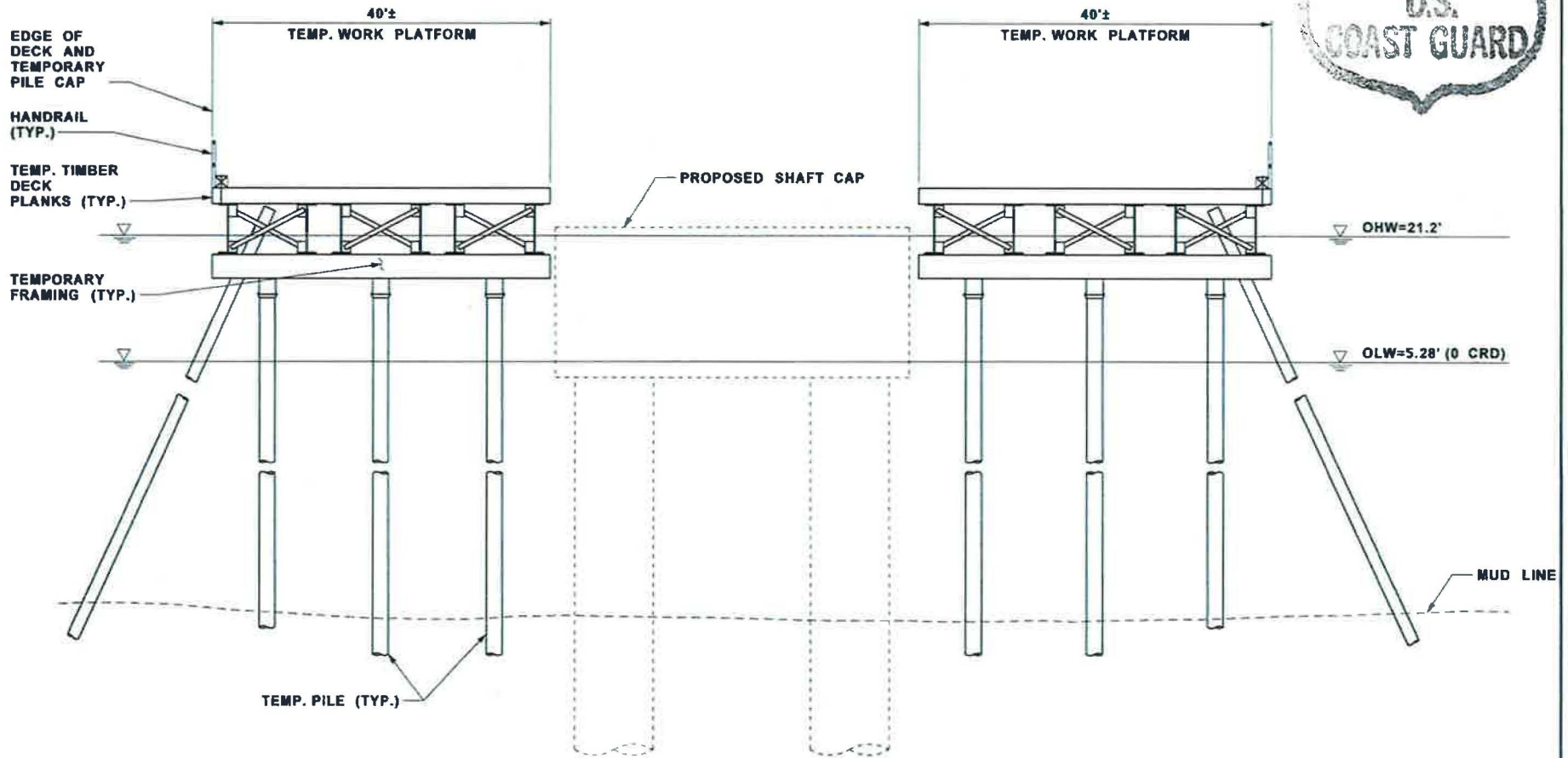
REVISE: 12-31-13



UNITED STATES COAST GUARD BRIDGE PERMIT DRAWINGS

COLUMBIA RIVER CROSSING INTERSTATE 5 OVER COLUMBIA RIVER, MILE 106.4 AT VANCOUVER, WA (CLARK COUNTY) & PORTLAND, OR (MULTNOMAH COUNTY)	
APPLICATION BY: WASHINGTON STATE DEPARTMENT OF TRANSPORTATION & OREGON DEPARTMENT OF TRANSPORTATION	DATE: AUG. 15, 2013
ROUTE: INTERSTATE 5	DATE: AUG. 15, 2013
TEMPORARY STRUCTURES/FALSEWORK DETAILS	

SHEET
6
OF
7
SHEETS



TYPICAL FOUNDATION SECTION ~ PIER RC-3 - RC-6

DATUM
NAVD 1988



REVISIONS: 12-34-13



UNITED STATES COAST GUARD BRIDGE PERMIT DRAWINGS

COLUMBIA RIVER CROSSING INTERSTATE 5 OVER COLUMBIA RIVER, MILE 106.4 AT VANCOUVER, WA (CLARK COUNTY) & PORTLAND, OR (MULTNOMAH COUNTY)	
APPLICATION BY: WASHINGTON STATE DEPARTMENT OF TRANSPORTATION & OREGON DEPARTMENT OF TRANSPORTATION ROUTE: INTERSTATE 5	DATE: AUG. 15, 2013
TEMPORARY STRUCTURES/FALSEWORK DETAILS	

SHEET
7
OF
7
SHEETS