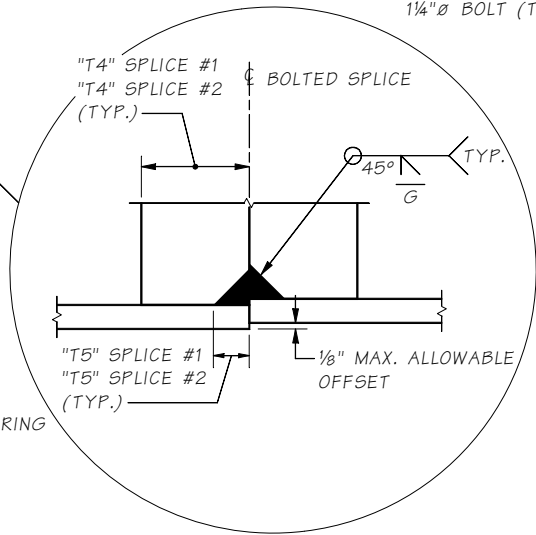
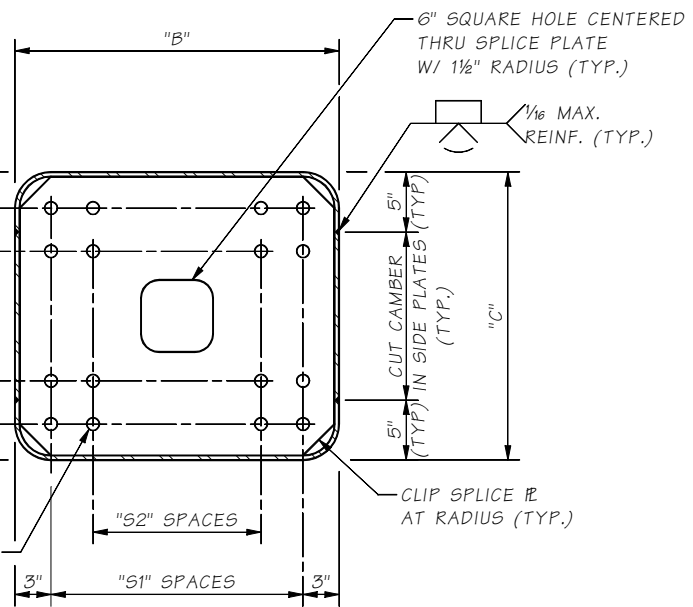


DETAIL 3
SECTION THROUGH BEAM AT BOLTED SPLICE #2. BOLTED SPLICE #1 SIMILAR.
10.1-A1-1



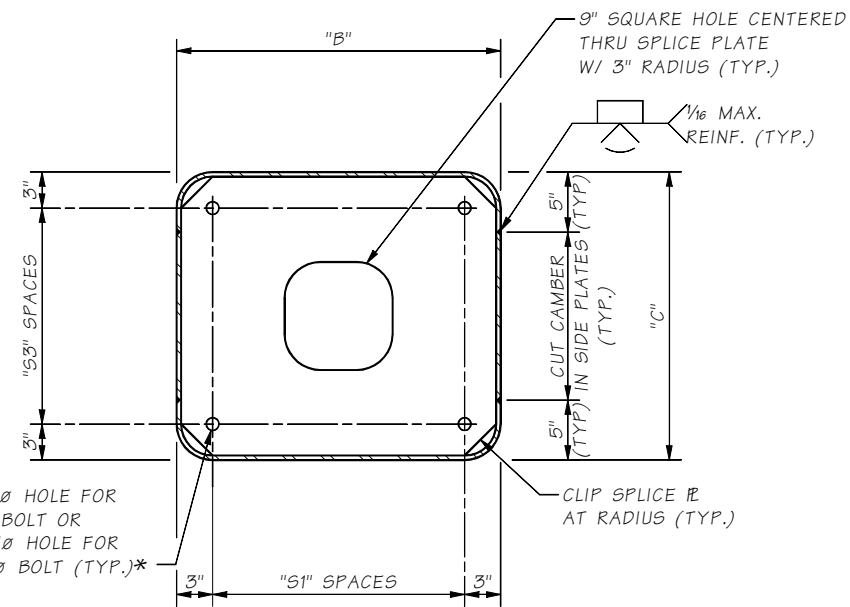
1 1/16" HOLE FOR 1" BOLT OR 1 9/16" HOLE FOR 1 1/4" BOLT (TYP.)*



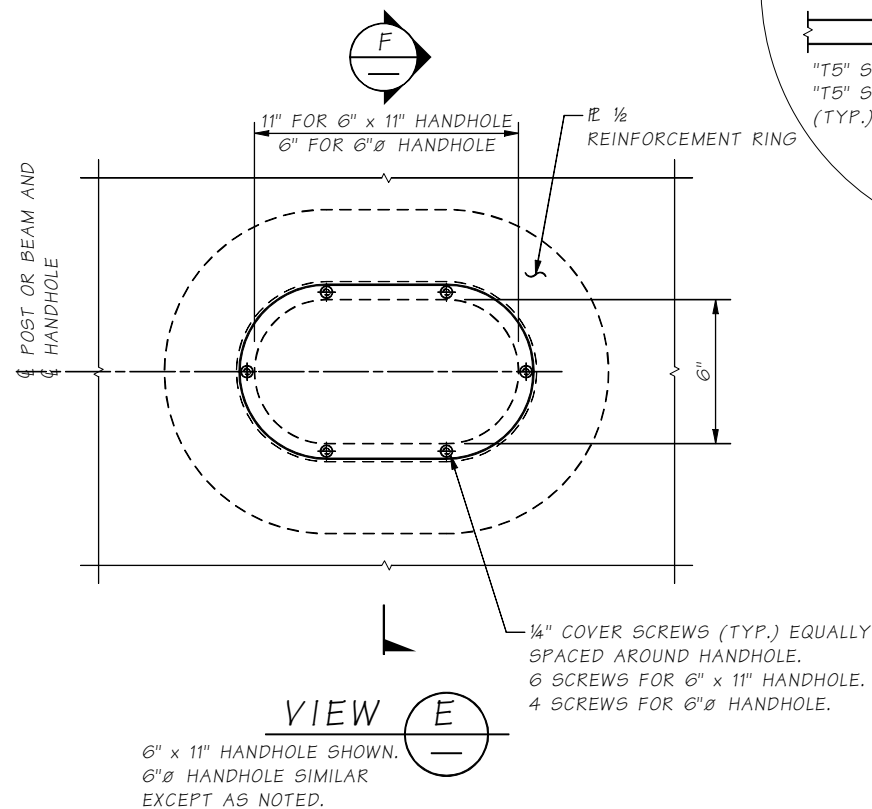
SECTION D
BOLTED SPLICE #2
DETAIL

designer to delete non-applicable details

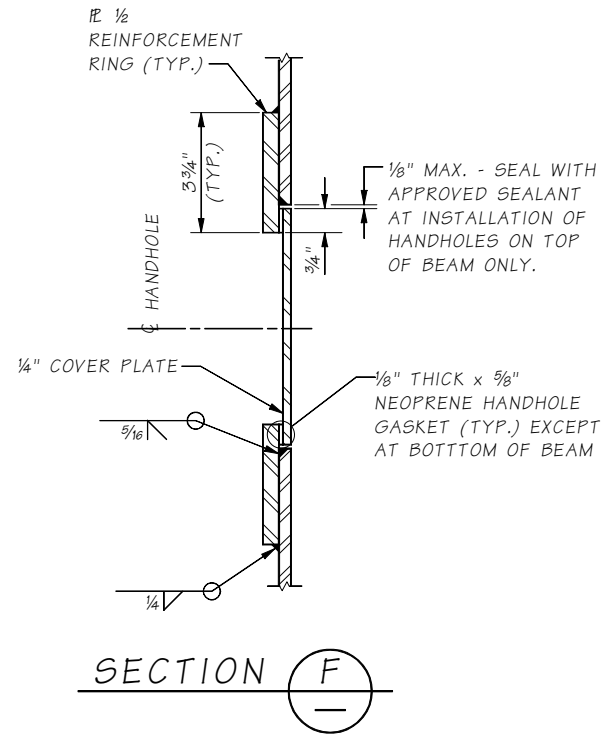
* 1" BOLT SPLICE BOLT (TYP. UP TO 120'-0" SPANS)
1 1/4" BOLT SPLICE BOLT (TYP. 120' - 180' SPANS)



SECTION D
BOLTED SPLICE #1
DETAIL



VIEW E



SECTION F

Last revised on : 06/01/2017

10.1-A1-3 SR JOB NO. SHEET

Bridge Design Engr.	M:\STANDARDS\Sign Bridges\MT_SIGN_BRIDGE_STRUCT_DETAILS_2.MAN					REGION NO.	STATE	FED. AID PROJ. NO.	SHEET NO.	TOTAL SHEETS
Supervisor						10	WASH.			
Designed By						JOB NUMBER				
Checked By										
Detailed By										
Bridge Projects Engr.										
Prelim. Plan By										
Architect/Specialist	DATE	REVISION	BY	APPD						

Thu Feb 22 12:42:40 2018

BRIDGE AND STRUCTURES OFFICE



STANDARD MONOTUBE SIGN STRUCTURES

MONOTUBE SIGN BRIDGE STRUCTURAL DETAILS 2

BRIDGE SHEET NO.
SHEET
OF
SHEETS