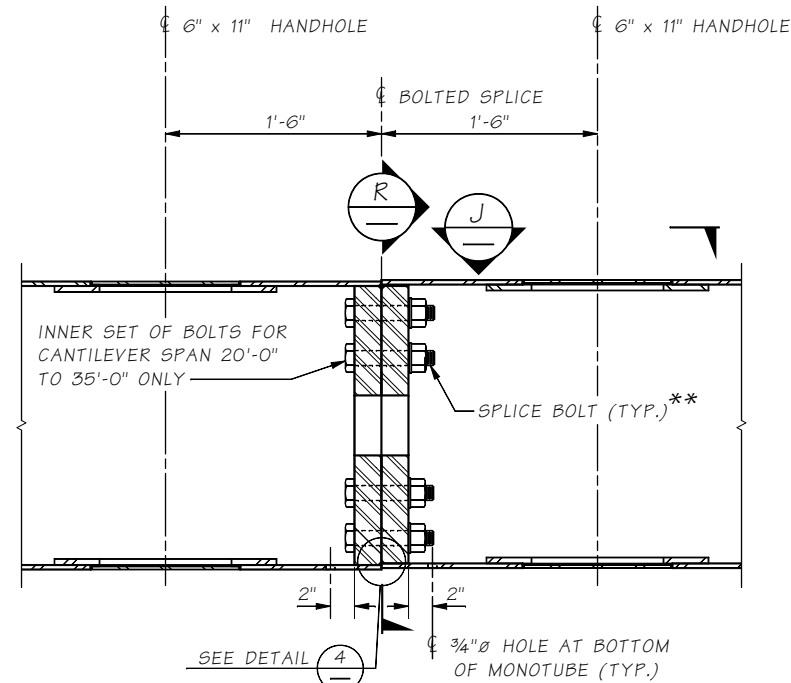


Last revised on : 4/26/16

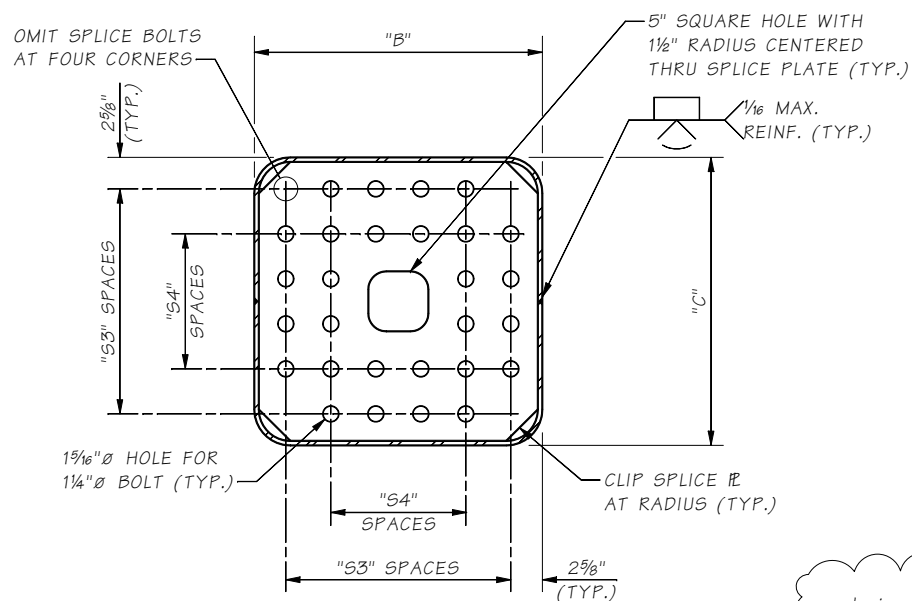
10.1-A2-2
SR JOB NO. SHEET



DETAIL 2
SECTION THRU BEAM

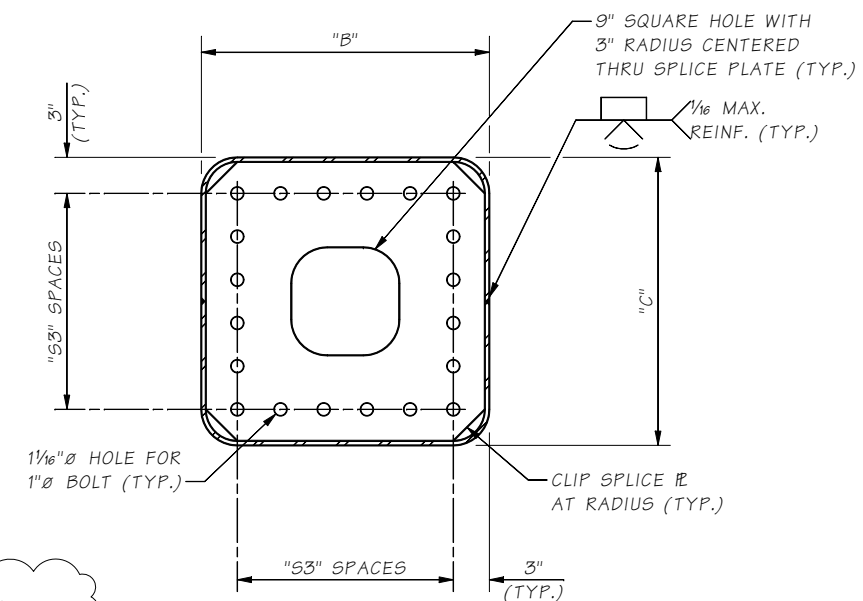
** 20 TOTAL (OUTER SET) - 1"Ø SPLICE BOLT FOR CANTILEVER SPAN LESS THAN 20'-0"
28 TOTAL (OUTER AND INNER SET) - 1 1/4"Ø SPLICE BOLT FOR CANTILEVER SPANS 20'-0" TO 35'-0"

10.1-A2-1



SECTION R

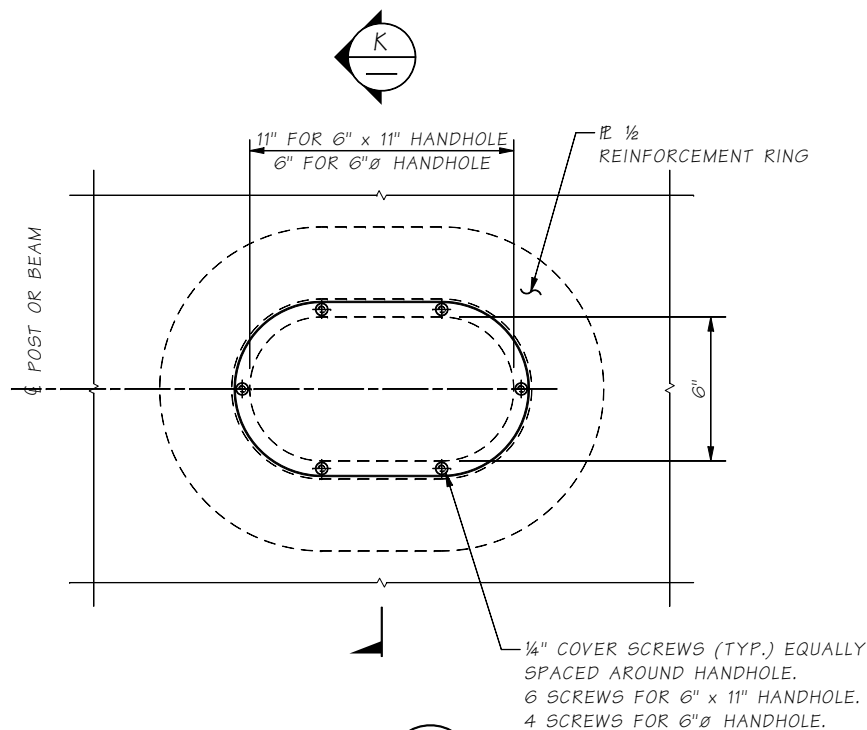
typical for 20'-0" to 35'-0"



SECTION R

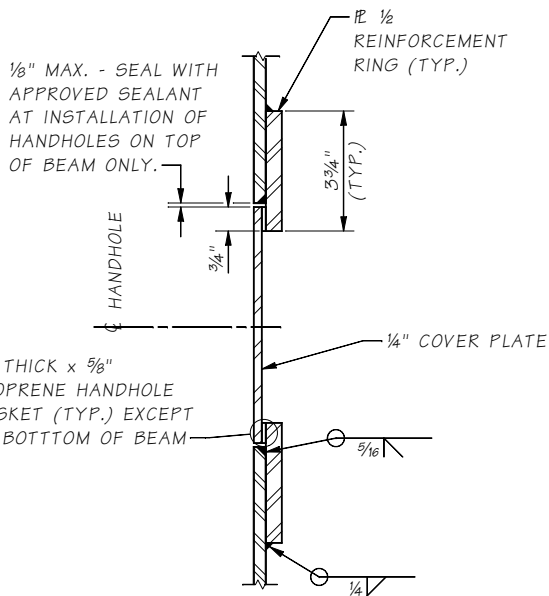
typical for less than 20'-0"

designer to delete non-applicable details

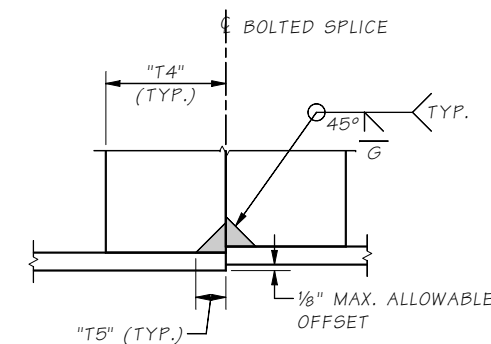


VIEW J

6" x 11" HANDHOLE SHOWN.
6"Ø HANDHOLE SIMILAR EXCEPT AS NOTED.



SECTION K



DETAIL 4

Bridge Design Engr.	M:\STANDARDS\Sign Bridges\MT_CANT_STRUCT_DETAILS_2.MAN				REGION NO.	STATE	FED. AID PROJ. NO.	SHEET NO.	TOTAL SHEETS
Supervisor					10	WASH.			
Designed By					JOB NUMBER				
Checked By									
Detailed By									
Bridge Projects Engr.									
Prelim. Plan By									
Architect/Specialist	DATE	REVISION	BY	APPD					

BRIDGE AND STRUCTURES OFFICE



STANDARD MONOTUBE SIGN STRUCTURES

MONOTUBE CANTILEVER STRUCTURAL DETAILS 2

BRIDGE SHEET NO.
SHEET
OF
SHEETS