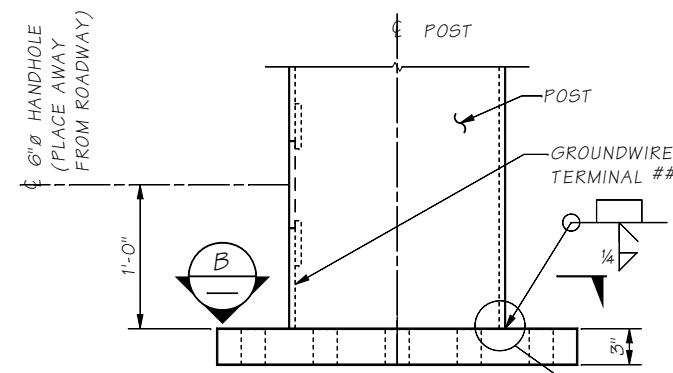


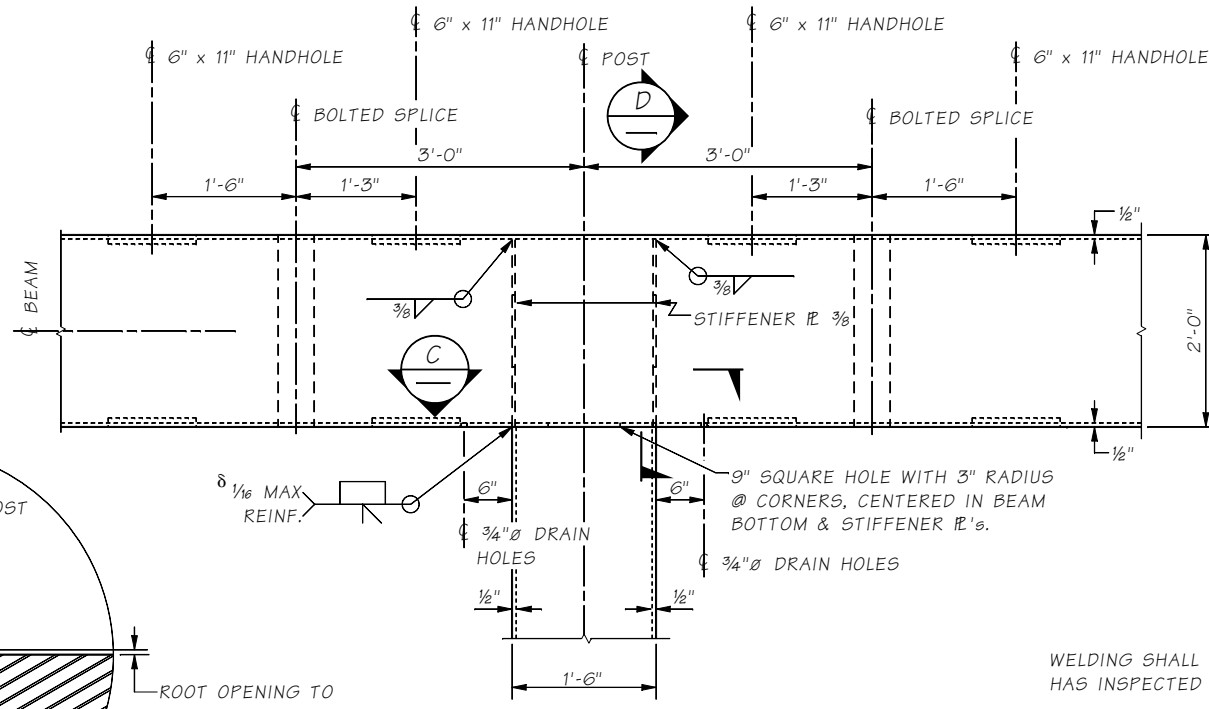
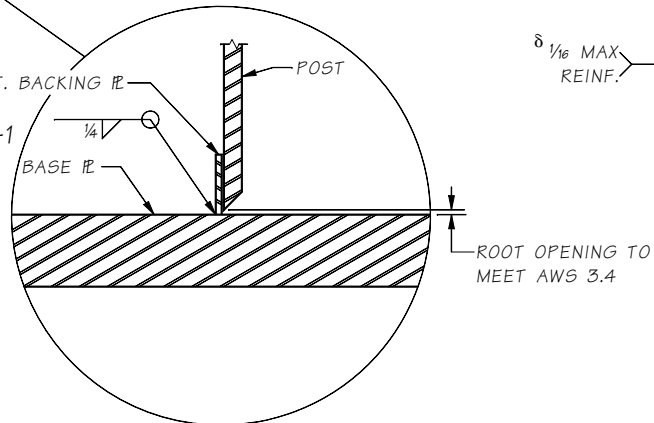
Last revised on : 06/01/2017

10.1-A3-2



DETAIL 1
POST BASE

10.1-A3-1
SEE STD. PLAN J-75.40 SHEET 1 OF 2 "DETAIL C" FOR GROUND CONNECTION.

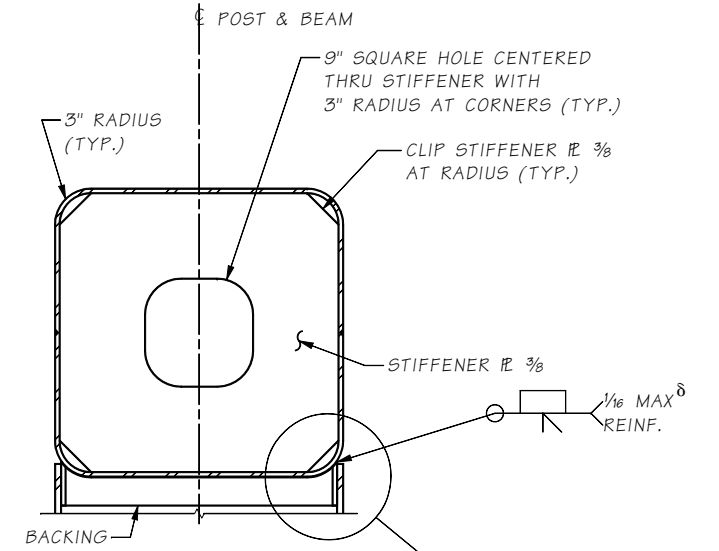


DETAIL 2

10.1-A3-1

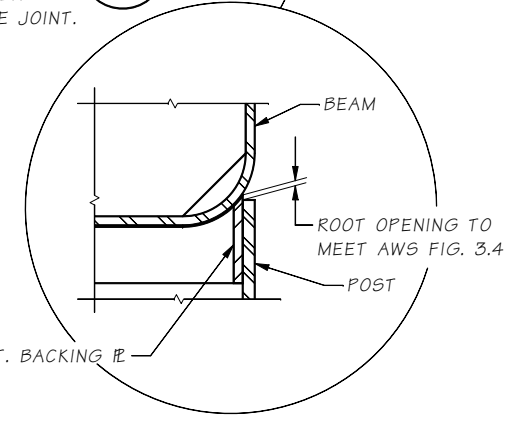
8 MT & VT @ ROOT PASS 100% AND @ COVER PASS 100%

note to designer
adjust drain holes & handholes if there is interference with attachment brackets

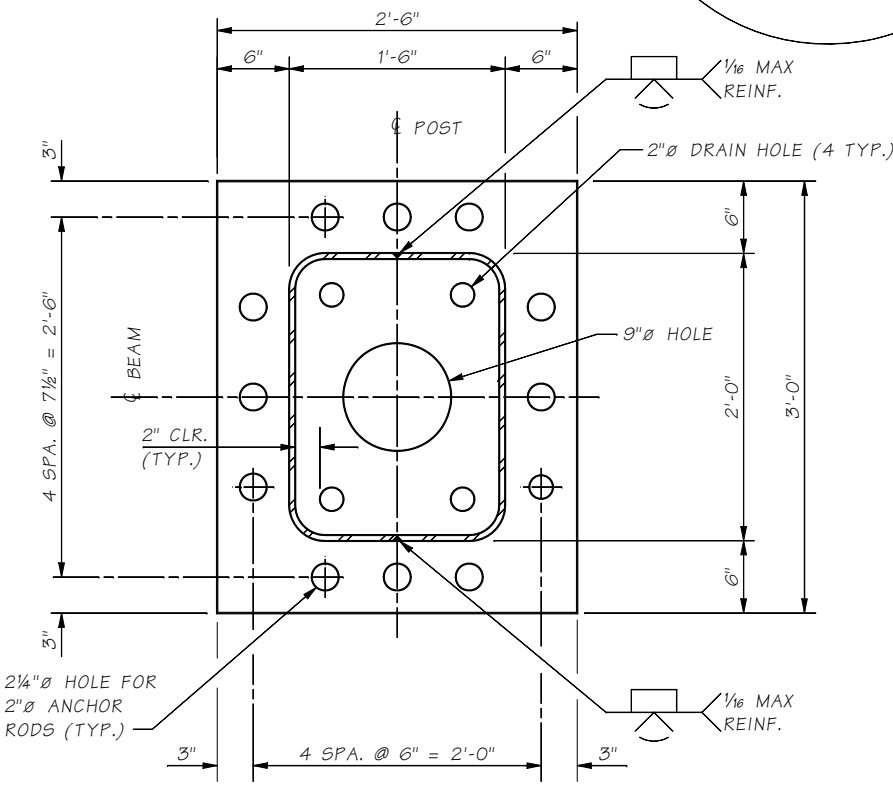


SECTION D

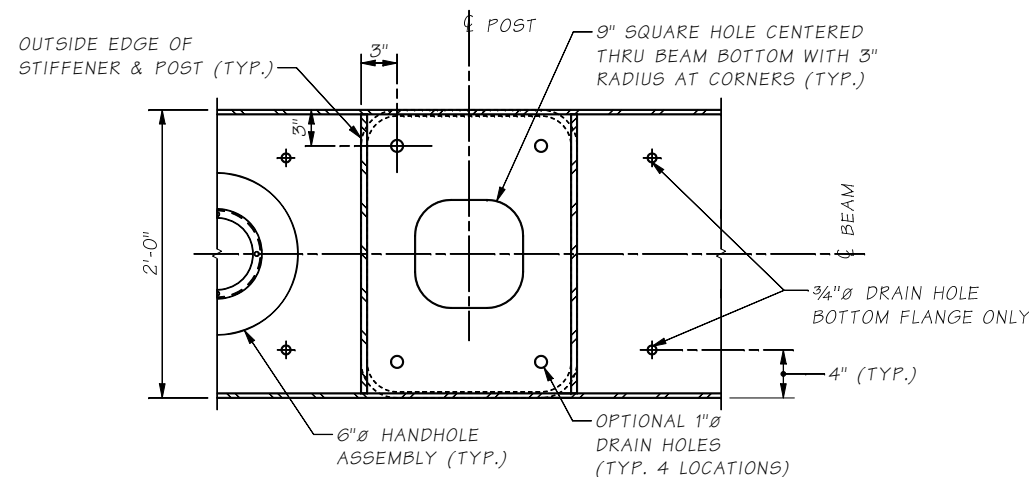
WELDING SHALL NOT BEGIN UNTIL THE ENGINEER HAS INSPECTED AND APPROVED FIT-UP OF THE JOINT.



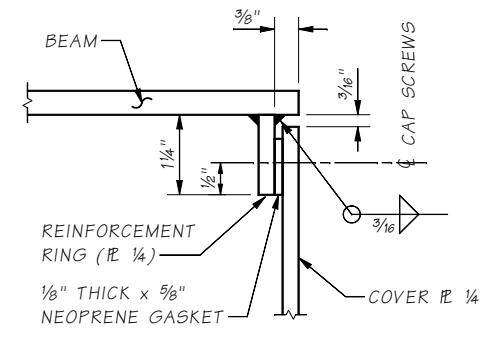
CONT. BACKING REINFORCEMENT



SECTION B



SECTION C



DETAIL 3

1/4" CAP SCREWS ASTM F-593. TAP REINFORCEMENT RING WITH 8 TOTAL EQUALLY SPACED AROUND COVER REINFORCEMENT

Bridge Design Engr.	M:\STANDARDS\Sign Bridges\MT_CANT_T_STRUCT_DETAILS_1.MAN					REGION NO.	STATE	FED. AID PROJ. NO.	SHEET NO.	TOTAL SHEETS
Supervisor						10	WASH.			
Designed By										
Checked By										
Detailed By										
Bridge Projects Engr.										
Prelim. Plan By										
Architect/Specialist	DATE	REVISION	BY	APPD						

BRIDGE AND STRUCTURES OFFICE



STANDARD MONOTUBE SIGN STRUCTURES

MONOTUBE BALANCED CANTILEVER STRUCTURAL DETAILS 1

BRIDGE SHEET NO.
SHEET
OF
SHEETS