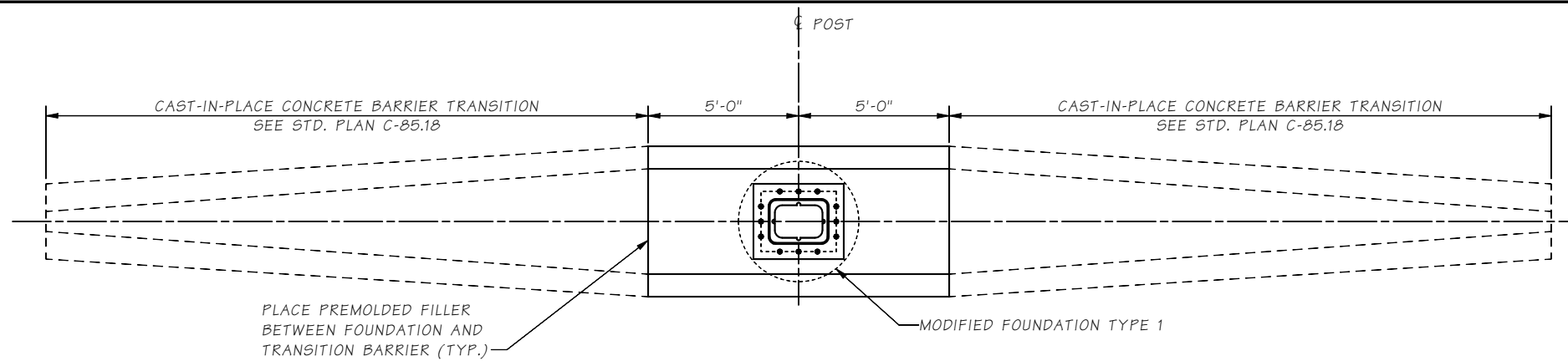
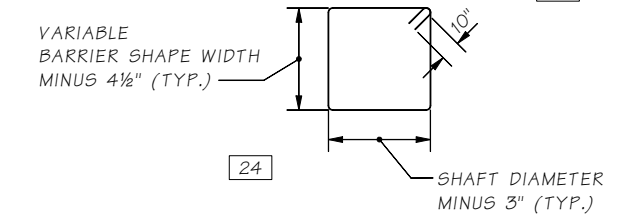
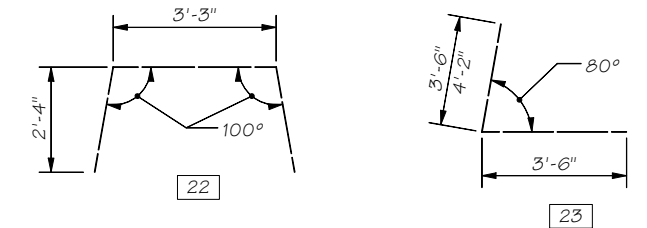


BENDING DIAGRAM

| MARK | LOCATION | SIZE | NO. REQ'D | LENGTH | |
|------|--------------------------|------|-----------|--------|------|
| 21 | BARRIER SHAPE HORIZONTAL | 4 | 20 | 9'-9" | STR. |
| 22 | BARRIER SHAPE VERTICAL | 5 | 14 | 7'-8" | |
| 23 | BARRIER SHAPE VERTICAL | 5 | 28 | 6'-4" | |
| 24 | BARRIER SHAPE HOOP | 5 | "A" | "A" | |

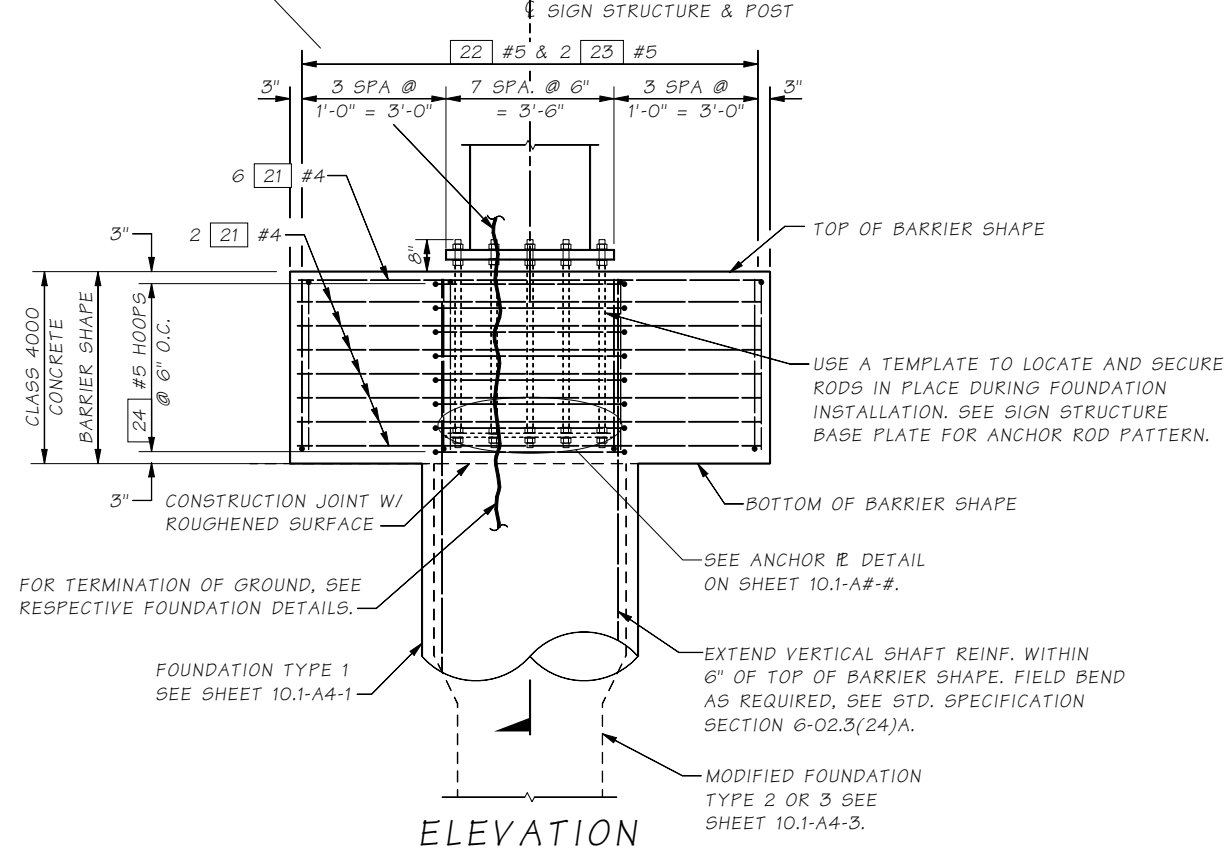
NOTE: CONCRETE COVER SHALL BE 1 1/2" UNLESS SHOWN OTHERWISE.
"A" ~ DETERMINE FROM PLANS



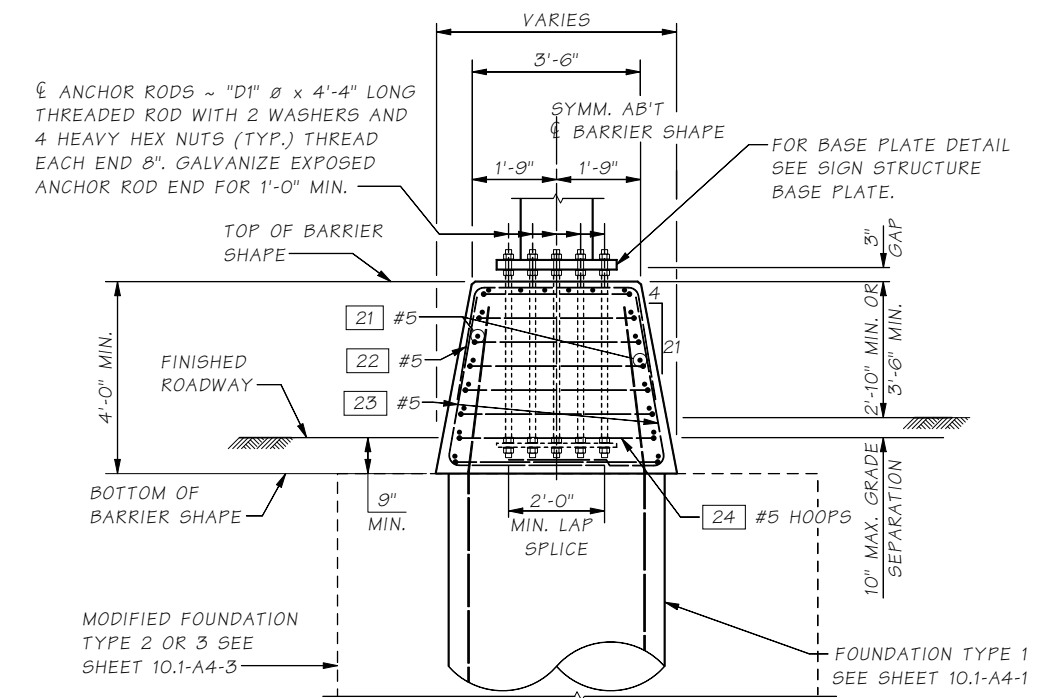
PLAN BARRIER TRANSITION

ANCHOR RODS NOT SHOWN.

GROUNDING CONDUCTOR NON-INSULATED #4 AWG STRANDED COPPER. PROVIDE 3'-0" MIN. SLACK. ROUTE CONDUCTOR TO GROUND WIRE TERMINAL SHOWN IN DETAIL C 10.1-A1-2, 10.1-A2-2, OR 10.1-A3-2.



ELEVATION



SECTION A

Last revised on : 11/25/2014

10.1-A5-1

| | | | | | |
|-----------------------|---|----------|--------------------|-----------|--------------|
| Bridge Design Engr. | M:\STANDARDS\Sign Bridges\MT_SIGN_BRIDGE_SINGLE_SLOPE_TRAFFIC_BARRIER_SHAPE_CAP.MAN | | | | |
| Supervisor | REGION NO. | STATE | FED. AID PROJ. NO. | SHEET NO. | TOTAL SHEETS |
| Designed By | 10 | WASH. | | | |
| Checked By | JOB NUMBER | | | | |
| Detailed By | | | | | |
| Bridge Projects Engr. | | | | | |
| Prelim. Plan By | | | | | |
| Architect/Specialist | DATE | REVISION | BY | APP'D | |

BRIDGE AND STRUCTURES OFFICE



STANDARD MONOTUBE SIGN STRUCTURES

MONOTUBE SIGN STRUCTURES
SINGLE SLOPE TRAFFIC BARRIER SHAPE CAP

| |
|------------------|
| BRIDGE SHEET NO. |
| SHEET |
| OF |
| SHEETS |