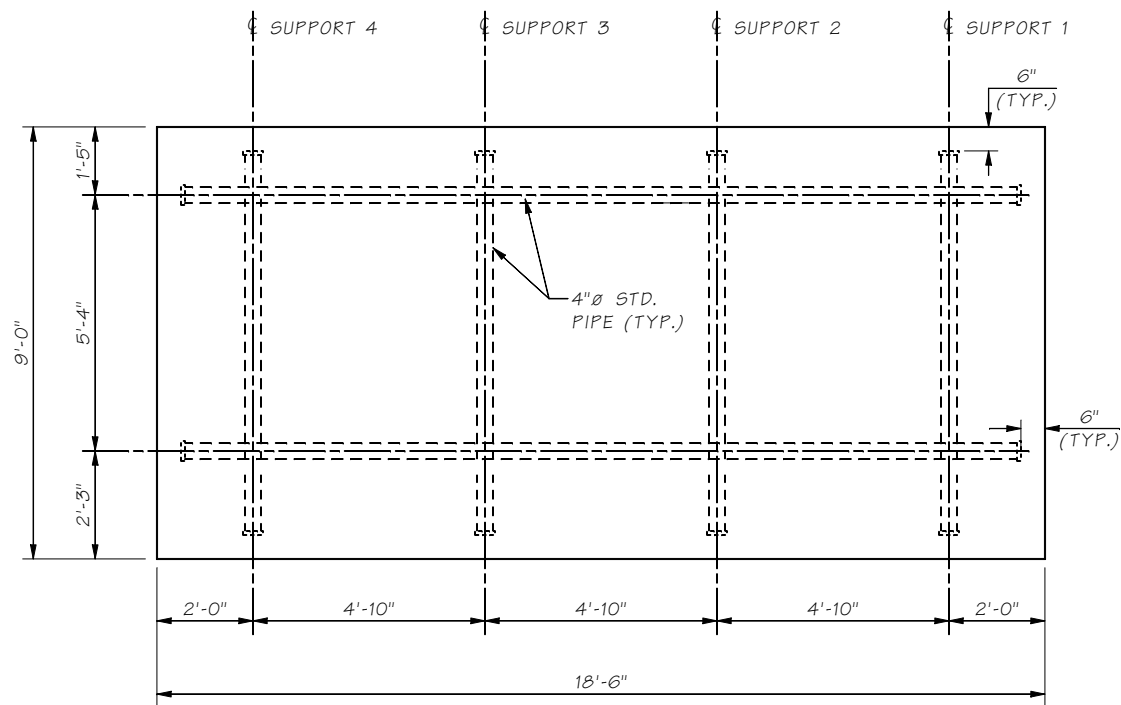


PLAN
BRIDGE MOUNTED SIGN BRACKET NO. 1



VIEW Y

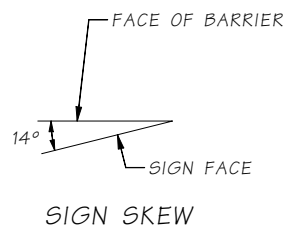


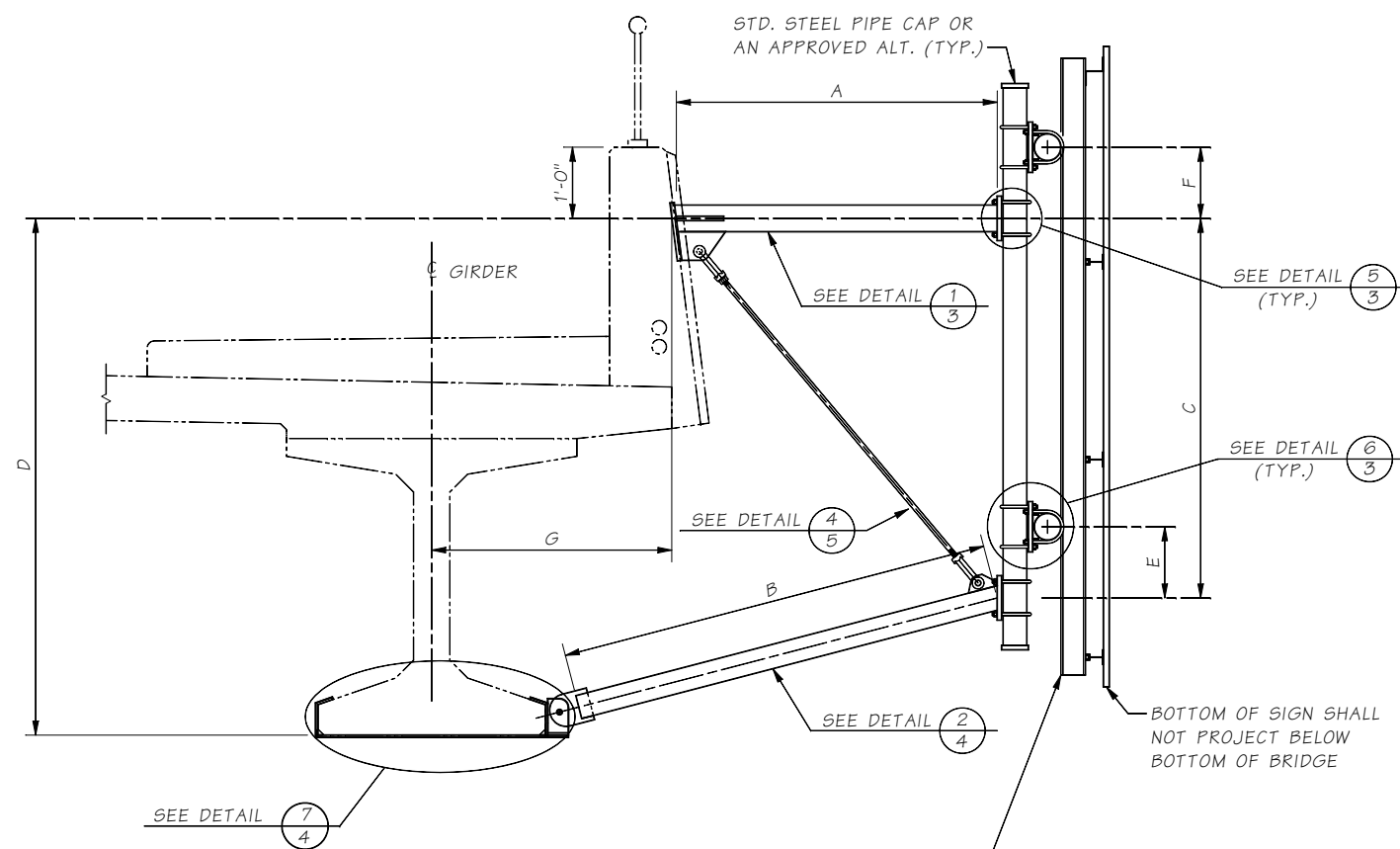
TABLE OF DIMENSIONS

SIGN BRACKET	LOCATION	SIGN SKEW	SIGN NO.	SIGN LENGTH	SIGN HEIGHT
1	SEE PLAN	14°	12	18'-6"	9'-0"

PIPE SIZE	TOP ARM LENGTHS				BOTTOM ARM LENGTHS			
	A1	A2	A3	A4	B1	B2	B3	B4
4"Ø	1'-0"	2'-2"	3'-4 1/2"	4'-6 1/2"	4'-10 3/8"	6'-0 3/8"	7'-2 3/8"	8'-4 1/2"

BRACING LENGTHS		CANTILEVER LENGTHS		C	D	G
L3	L4	E	F			
4'-3"	5'-2 1/2"	1'-0"	1'-0"	4'-8"	7'-3 1/2"	3'-4 1/2"

D & G DIMENSIONS ARE BASED ON PLANS AND SHALL BE FIELD MEASURED PRIOR TO FABRICATION OF BRACKET ARMS AND BRACE. (ADJUST E AND F DIMENSIONS TO PLACE SIGN HORIZONTALLY)



SECTION X
SHOWN AT SUPPORT 4,
DETAILS ARE SIMILAR
AT SUPPORTS 3, 2 & 1

LAST REVISED ON: 03/10/2014

1 SHEET JOB NO. ON FILE

10.1-A6-2

Bridge Design Engr.	M:\STANDARDS\Bridge Mounted Sign Brackets\2 - BMSB GEOMETRY.MAN							REGION NO.	STATE	FED. AID PROJ. NO.	SHEET NO.	TOTAL SHEETS
Supervisor							10	WASH.				
Designed By							JOB NUMBER					
Checked By												
Detailed By												
Bridge Projects Engr.												
Prelim. Plan By												
Architect/Specialist	DATE	REVISION	BY	APPD								

BRIDGE AND STRUCTURES OFFICE



STANDARD BRIDGE MOUNTED SIGN BRACKET
BRIDGE MOUNTED SIGN BRACKET NO. 1
GEOMETRY

BRIDGE SHEET NO. 2 OF SHEETS