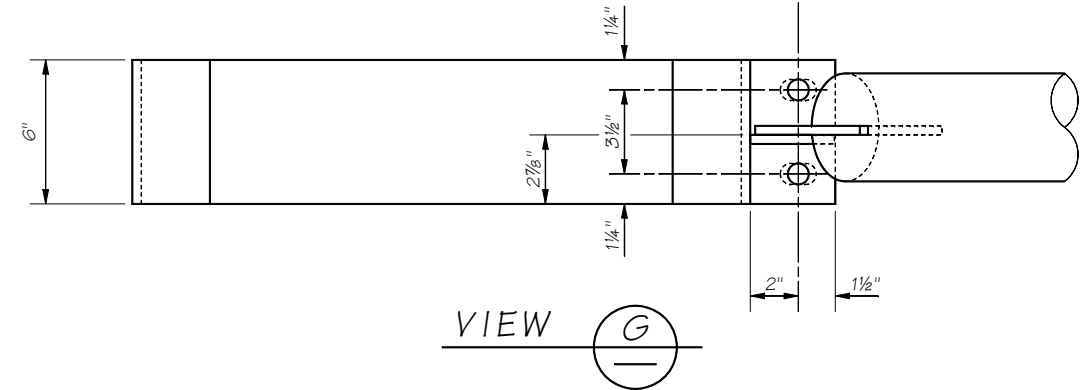
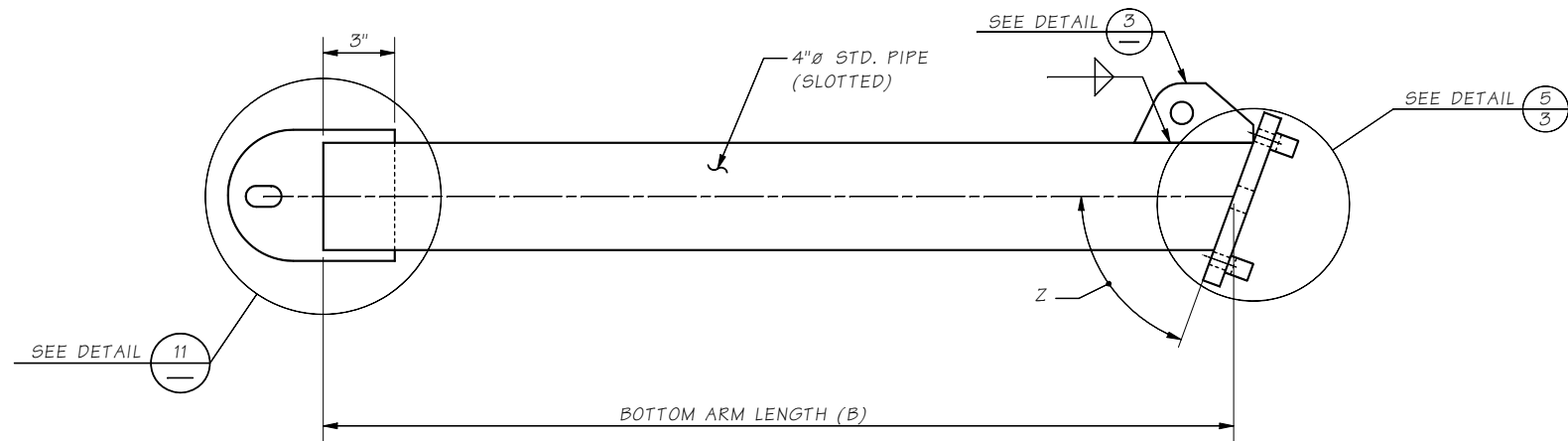


SIGN BRACKET NO.	Z° (CONTRACTOR TO VERIFY)			
	SUPPORT #1	SUPPORT #2	SUPPORT #3	SUPPORT #4
1	78°	72°	66°	60°

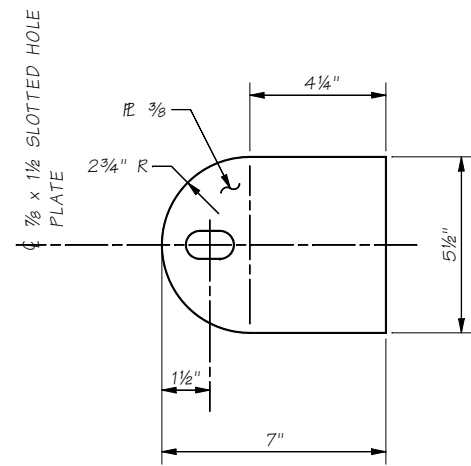
NOTES TO DESIGNER:

1. REMOVE DETAIL C IF BRACING ROD IS NOT USED. ALSO REMOVE CALL OUTS AND LINEWORK FROM OTHER DETAILS.

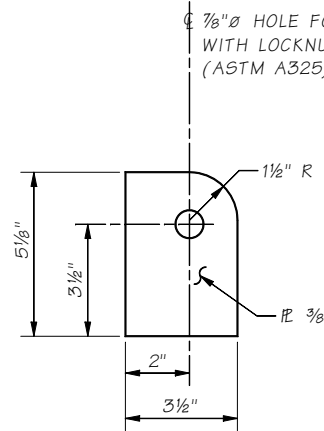
- 2 ~ 7/8" x 1 1/2" SLOTTED HOLES (BOT. PLATE)
- 2 ~ 7/8" Ø HOLES (TOP PLATE)
- 2 ~ 3/4" Ø BOLTS W/ WASHER (ASTM A325)
TOP AND 2 1/2" x 3/8" x 2 1/2" WASHER BOTTOM.
PLACE BOLT WITH NUT ON UNDERSIDE.



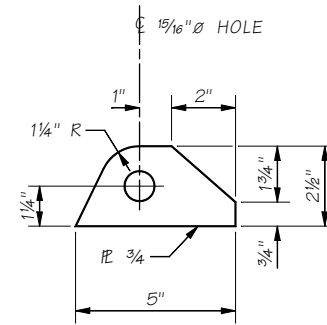
DETAIL 2



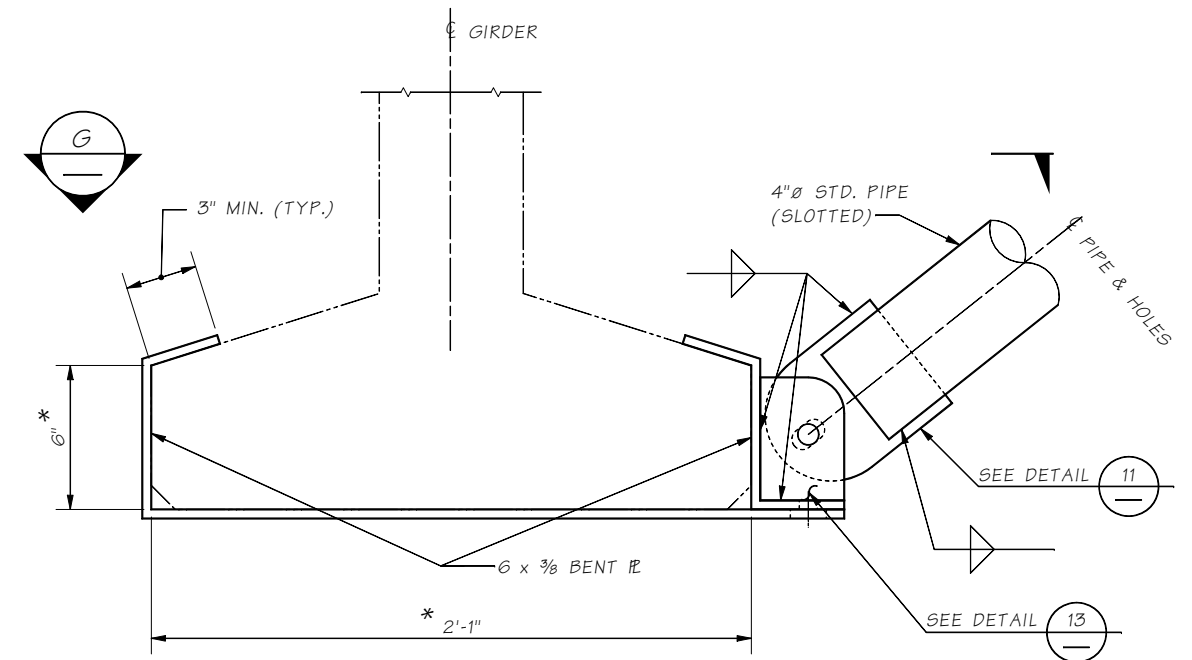
DETAIL 11



DETAIL 13



DETAIL 3



DETAIL 7

* CONTRACTOR TO FIELD VERIFY PRIOR TO FABRICATION

LAST REVISED ON: 06/5/2018

FILE NO. JOB SHEET 1

10.1-A6-4A

Bridge Design Engr.	M:\STANDARDS\Bridge Mounted Sign Brackets\4a - BMSB DETAILS 2 OF 3 - WF GIRDER.MAN						
Supervisor							
Designed By			REGION NO.	STATE	FED. AID PROJ. NO.	SHEET NO.	TOTAL SHEETS
Checked By			10	WASH.			
Detailed By			JOB NUMBER				
Bridge Projects Engr.							
Prelim. Plan By							
Architect/Specialist	DATE	REVISION	BY	APP'D			

BRIDGE AND STRUCTURES OFFICE



STANDARD BRIDGE MOUNTED SIGN BRACKET

BRIDGE MOUNTED SIGN BRACKET
DETAILS 2 OF 3

BRIDGE SHEET NO. 4
SHEET OF SHEETS