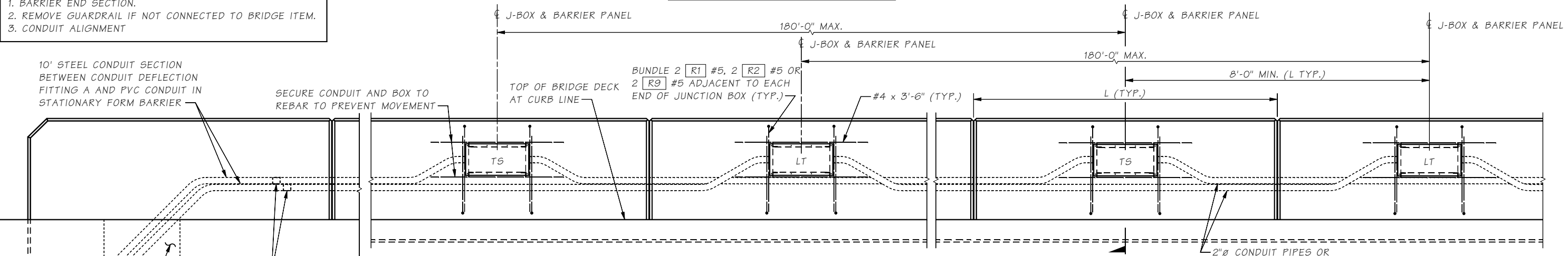


**PLAN  
CONDUITS & J-BOX  
IN TRAFFIC BARRIER**

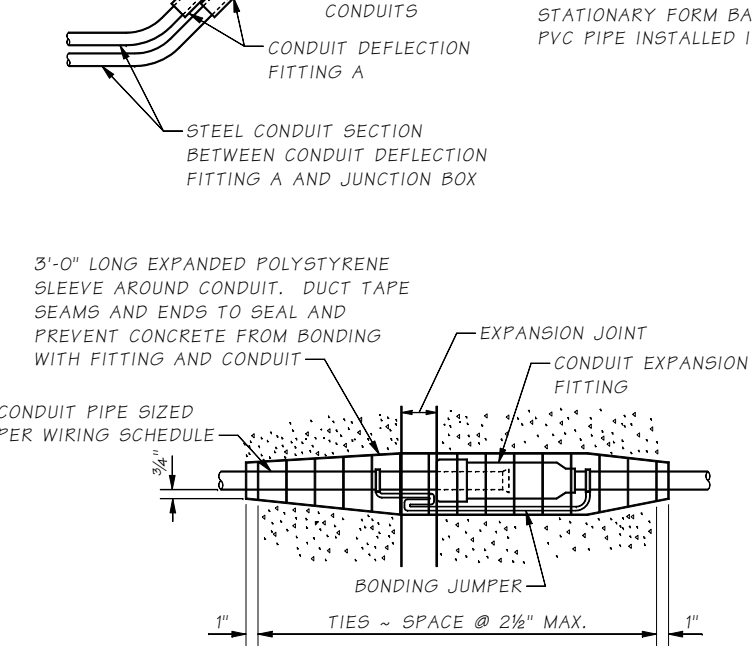
**NOTE TO DESIGNERS**  
 MODIFY THE FOLLOWING TO MATCH PROJECT REQUIREMENTS:  
 1. BARRIER END SECTION.  
 2. REMOVE GUARDRAIL IF NOT CONNECTED TO BRIDGE ITEM.  
 3. CONDUIT ALIGNMENT

\* NEMA 4X IN STATIONARY FORM BARRIER, OR NEMA 3R IN SLIP FORM BARRIER. MOUNT JUNCTION BOX SO COVER IS FLUSH WITH BARRIER, CAN BE RECESSED UP TO 1/8".



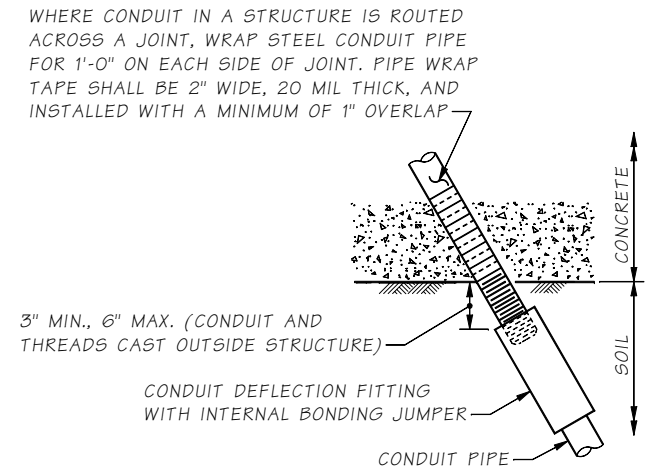
**ELEVATION - CONDUITS & J-BOX IN TRAFFIC BARRIER**

LABEL JUNCTION BOX COVER IN ACCORDANCE WITH STANDARD SPECIFICATION SECTION 9-29.2(4). ADJACENT JUNCTION BOXES ARE SHOWN CENTERED BETWEEN ADJACENT DUMMY JOINTS. IF THE DISTANCE BETWEEN ADJACENT DUMMY JOINTS IS 16'-0" OR GREATER, PLACE ADJACENT JUNCTION BOXES SYMMETRICALLY ON EITHER SIDE OF THE CENTER OF ONE DUMMY PANEL WHILE MAINTAINING 8'-0" MINIMUM BETWEEN CENTER LINES OF THE JUNCTION BOXES.



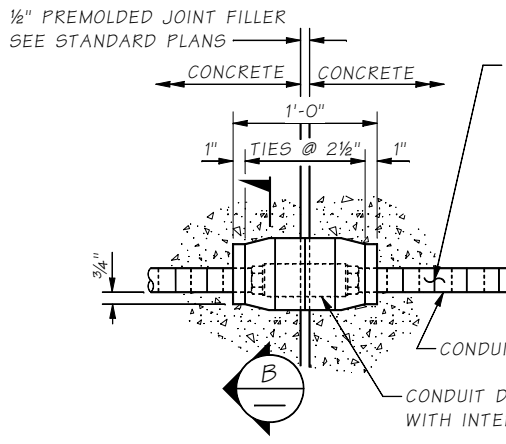
**CONDUIT EXPANSION FITTING**

CONDUIT FITTING - (TYPE AX FOR MOVEMENT OF ± 2") AT BRIDGE EXPANSION JOINTS



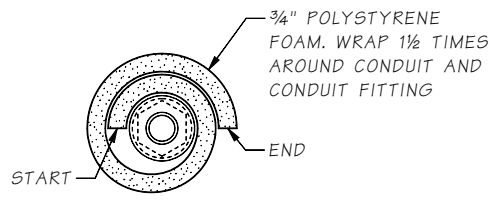
**CONDUIT DEFLECTION FITTING A**

CONDUIT FITTING - TYPE DX FOR DEFLECTION OF 30° AND 3/4" MOVEMENT. PLACE AT CONDUIT PIPE EXIT FROM STRUCTURE AND SHALL BE IN NEUTRAL STATE AFTER INSTALLATION.

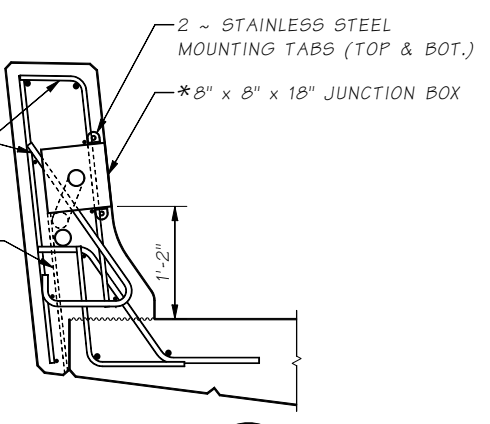


**CONDUIT DEFLECTION FITTING B**

CONDUIT FITTING - TYPE DX FOR DEFLECTION OF 30° AND 3/4" MOVEMENT. CONDUIT PIPES PLACED THROUGH RETAINING WALL TRAFFIC BARRIER SHALL BE FITTED WITH DEFLECTION FITTINGS AT A MAXIMUM SPACING OF 120'. THE DEFLECTION FITTINGS SHALL BE PLACED AT THE TRAFFIC BARRIER OPEN JOINT THAT COINCIDES WITH THE RETAINING WALL EXPANSION JOINT.



**SECTION B**



**SECTION A**

Last revised on : 6/5/2018

SR JOB NO. 10.2-A1-3 SHEET

Bridge Design Engr.	M:\STANDARDS\Traffic Barriers\Shape F\SHAPE F BARRIER SH 3.man	REGION NO.	STATE	FED. AID PROJ. NO.	SHEET NO.	TOTAL SHEETS
Supervisor		10	WASH.			
Designed By		JOB NUMBER				
Checked By						
Detailed By						
Bridge Projects Engr.						
Prelim. Plan By						
Architect/Specialist	DATE	REVISION	BY	APPD		

Tue Jun 26 08:36:33 2018

**BRIDGE AND STRUCTURES OFFICE**



**STANDARD TRAFFIC BARRIERS**

TRAFFIC BARRIER - SHAPE F  
DETAIL 3 OF 3

BRIDGE SHEET NO.  
SHEET  
OF  
SHEETS