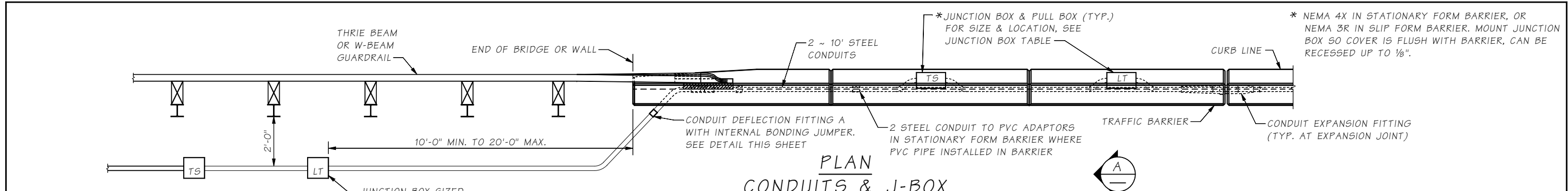


Last revised on : 6/7/2018

SHEET

JOB NO. 10.2-A5-3

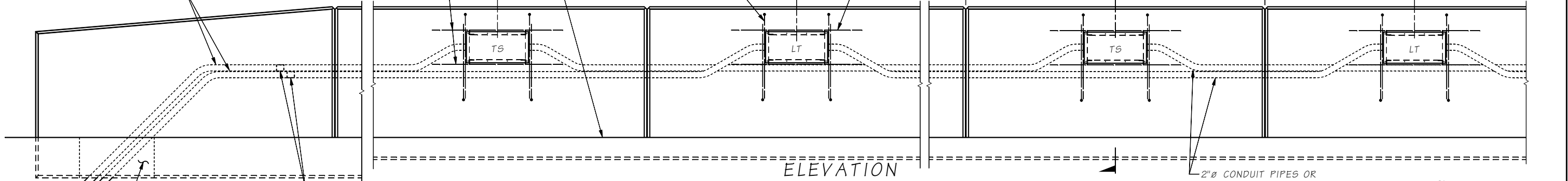


**PLAN  
CONDUITS & J-BOX  
IN TRAFFIC BARRIER**

**NOTE TO DESIGNERS**  
MODIFY THE FOLLOWING TO MATCH PROJECT REQUIREMENTS:  
1. BARRIER END SECTION.  
2. REMOVE GUARDRAIL IF NOT CONNECTED TO BRIDGE ITEM.  
3. CONDUIT ALIGNMENT

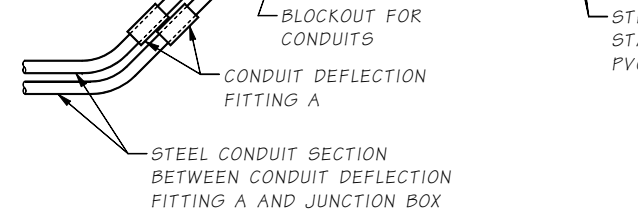
10'-0" STEEL CONDUIT SECTION BETWEEN CONDUIT DEFLECTION FITTING A AND PVC CONDUIT IN STATIONARY FORM BARRIER

JUNCTION BOX SIZED PER ELECTRICAL PLANS. LABEL JUNCTION BOX LIDS AS SHOWN (TYP.)



**ELEVATION  
CONDUITS & J-BOX IN TRAFFIC BARRIER**

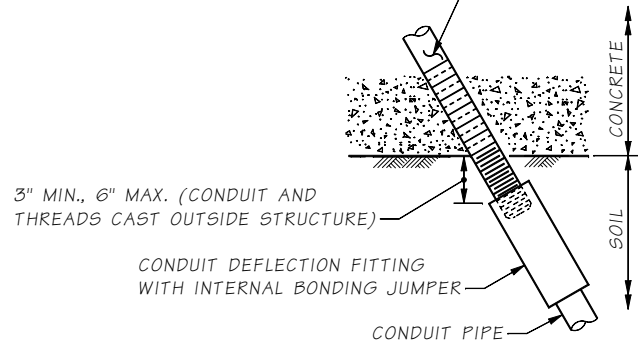
LABEL JUNCTION BOX COVER IN ACCORDANCE WITH STANDARD SPECIFICATION SECTION 9-29.2(4). ADJACENT JUNCTION BOXES ARE SHOWN CENTERED BETWEEN ADJACENT DUMMY JOINTS. IF THE DISTANCE BETWEEN ADJACENT DUMMY JOINTS IS 16'-0" OR GREATER, PLACE ADJACENT JUNCTION BOXES SYMMETRICALLY ON EITHER SIDE OF THE CENTER OF ONE DUMMY PANEL WHILE MAINTAINING 8'-0" MINIMUM BETWEEN CENTER LINES OF THE JUNCTION BOXES.



**CONDUIT EXPANSION FITTING**

CONDUIT FITTING - (TYPE AX FOR MOVEMENT OF ± 2") AT BRIDGE EXPANSION JOINTS

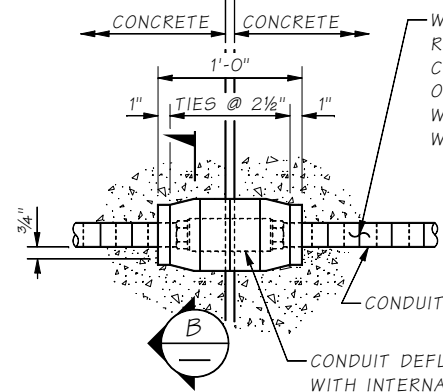
WHERE CONDUIT IN A STRUCTURE IS ROUTED ACROSS A JOINT, WRAP STEEL CONDUIT PIPE FOR 1'-0" ON EACH SIDE OF JOINT. PIPE WRAP TAPE SHALL BE 2" WIDE, 20 MIL THICK, AND INSTALLED WITH A MINIMUM OF 1" OVERLAP



**CONDUIT DEFLECTION FITTING A**

CONDUIT FITTING - TYPE DX FOR DEFLECTION OF 30° AND 3/4" MOVEMENT. PLACE AT CONDUIT PIPE EXIT FROM STRUCTURE AND SHALL BE IN NEUTRAL STATE AFTER INSTALLATION.

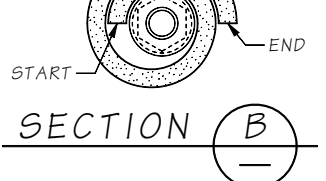
1/2" PREMOLDED JOINT FILLER SEE STANDARD PLANS



**CONDUIT DEFLECTION FITTING B**

CONDUIT FITTING - TYPE DX FOR DEFLECTION OF 30° AND 3/4" MOVEMENT. CONDUIT PIPES PLACED THROUGH RETAINING WALL TRAFFIC BARRIER SHALL BE FITTED WITH DEFLECTION FITTINGS AT A MAXIMUM SPACING OF 120'. THE DEFLECTION FITTINGS SHALL BE PLACED AT THE TRAFFIC BARRIER OPEN JOINT THAT COINCIDES WITH THE RETAINING WALL EXPANSION JOINT.

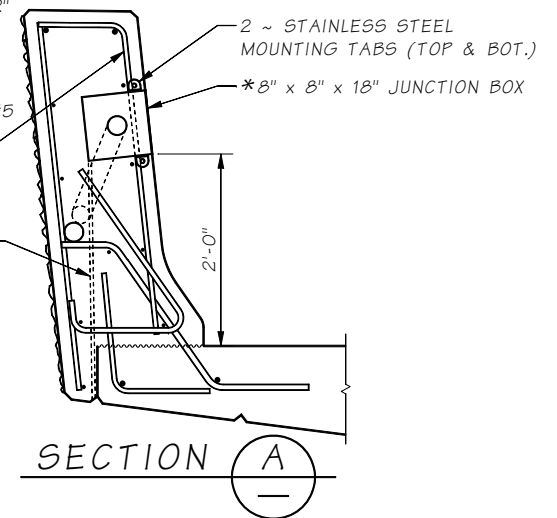
3/4" POLYSTYRENE FOAM. WRAP 1 1/2 TIMES AROUND CONDUIT AND CONDUIT FITTING



**SECTION B**

WHERE CONDUIT IN A STRUCTURE IS ROUTED ACROSS A JOINT, WRAP STEEL CONDUIT PIPE FOR 1'-0" ON EACH SIDE OF JOINT. PIPE WRAP TAPE SHALL BE 2" WIDE, 20 MIL THICK, AND INSTALLED WITH A MINIMUM OF 1" OVERLAP

BUNDLE 2 R2 #5 OR 2 R9 #5 ADJACENT TO EACH END OF JUNCTION BOX (TYP.)



**SECTION A**

Bridge Design Engr.	M:\STANDARDS\Traffic Barriers\Shape F\42IN SHAPE F BARRIER SHT 3.MAN						
Supervisor							
Designed By							
Checked By							
Detailed By							
Bridge Projects Engr.							
Prelim. Plan By							
Architect/Specialist							
DATE		REVISION		BY	APPD		

Mon Jun 25 15:53:22 2018

**BRIDGE AND STRUCTURES OFFICE**



**STANDARD TRAFFIC BARRIER**

TRAFFIC BARRIER - SHAPE F 42"  
DETAIL 3 OF 3

BRIDGE SHEET NO.  
SHEET  
OF  
SHEETS