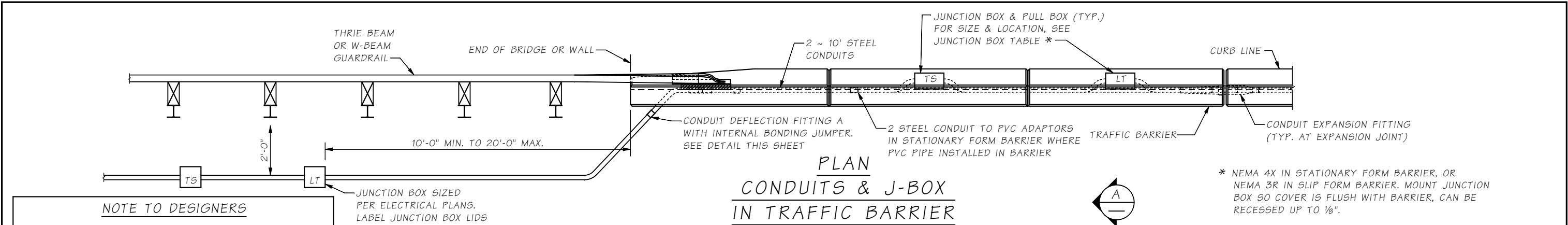


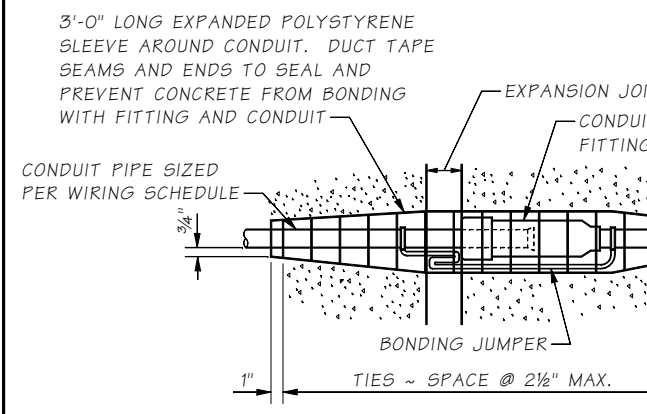
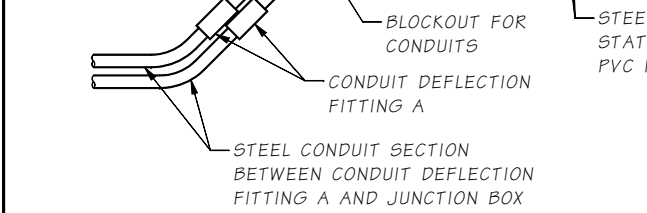
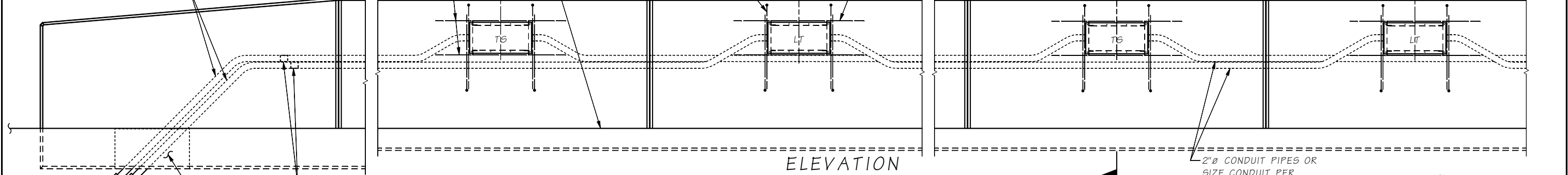
Last revised on : 6/11/2018

SR JOB NO. 10.2-A6-3 SHEET

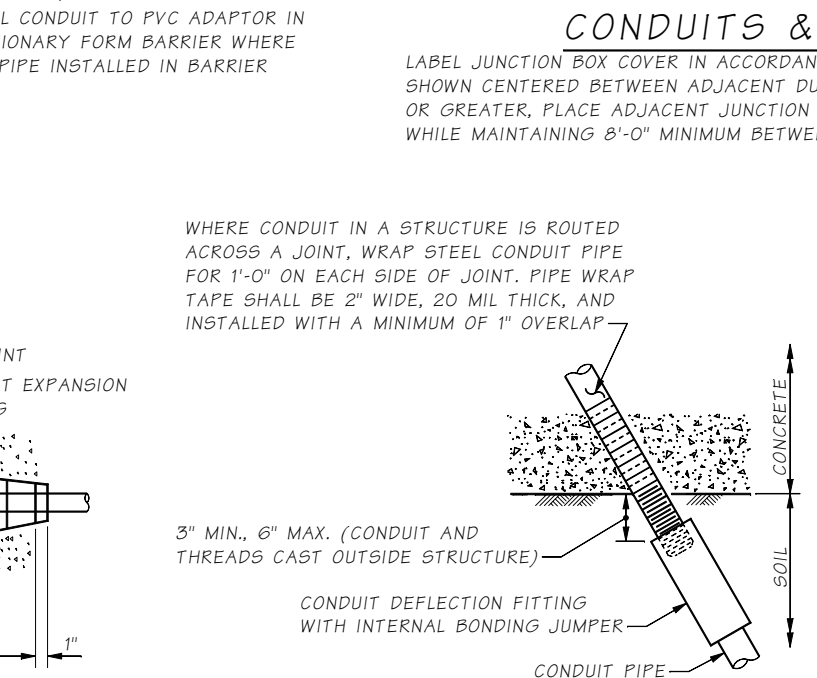


**NOTE TO DESIGNERS**  
 MODIFY THE FOLLOWING TO MATCH PROJECT REQUIREMENTS:  
 1. BARRIER END SECTION.  
 2. REMOVE GUARDRAIL IF NOT CONNECTED TO BRIDGE ITEM.  
 3. CONDUIT ALIGNMENT

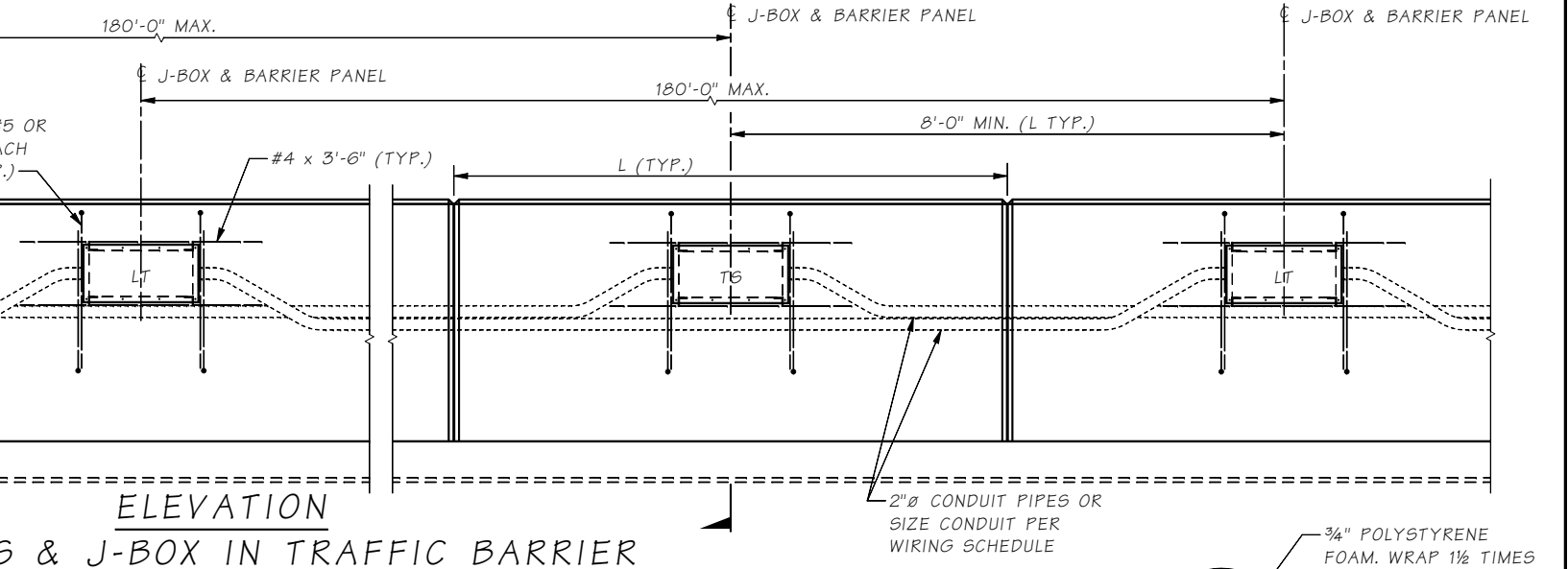
10'-0" STEEL CONDUIT SECTION BETWEEN CONDUIT DEFLECTION FITTING A AND PVC CONDUIT IN STATIONARY FORM BARRIER



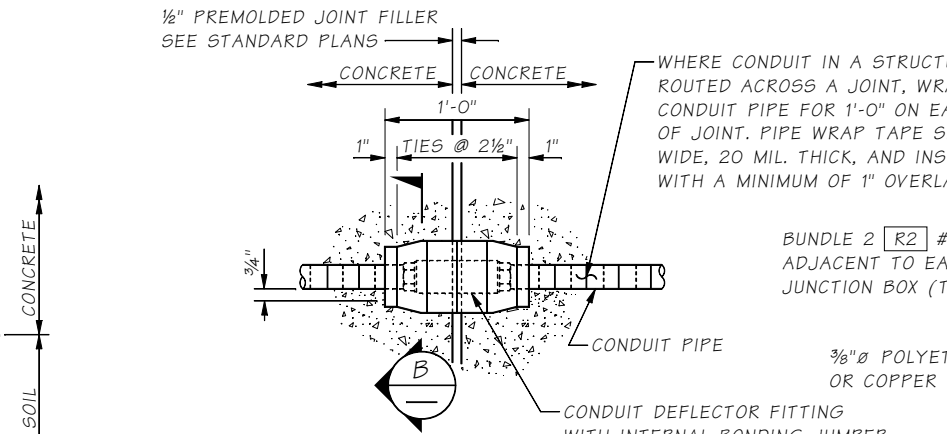
**CONDUIT EXPANSION FITTING**  
 CONDUIT FITTING - (TYPE AX FOR MOVEMENT OF ± 2") AT BRIDGE EXPANSION JOINTS



**CONDUIT DEFLECTION FITTING A**  
 CONDUIT FITTING - TYPE DX FOR DEFLECTION OF 30° AND 3/4" MOVEMENT. PLACE AT CONDUIT PIPE EXIT FROM STRUCTURE AND SHALL BE IN NEUTRAL STATE AFTER INSTALLATION.

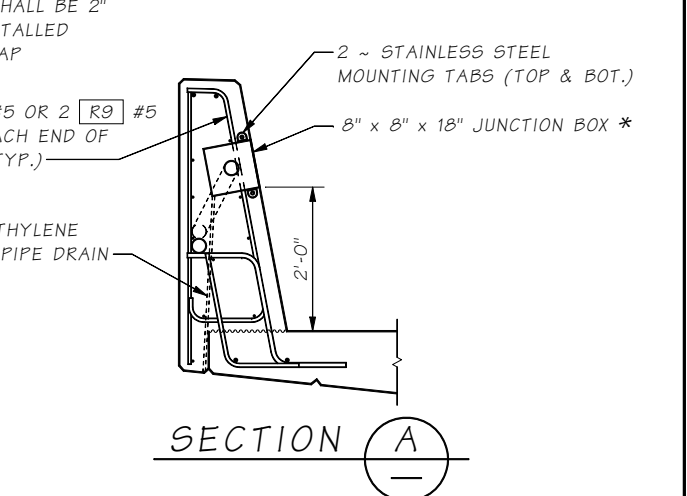
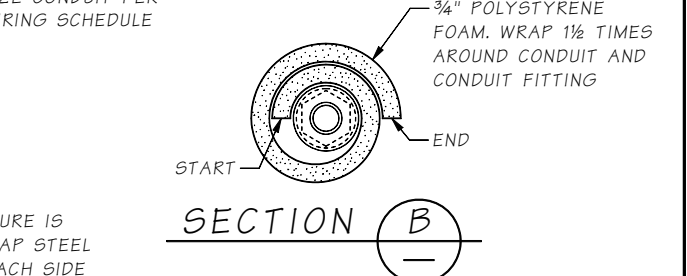


**CONDUITS & J-BOX IN TRAFFIC BARRIER**  
 LABEL JUNCTION BOX COVER IN ACCORDANCE WITH STANDARD SPECIFICATION SECTION 9-29.2(4). ADJACENT JUNCTION BOXES ARE SHOWN CENTERED BETWEEN ADJACENT DUMMY JOINTS. IF THE DISTANCE BETWEEN ADJACENT DUMMY JOINTS IS 16'-0" OR GREATER, PLACE ADJACENT JUNCTION BOXES SYMMETRICALLY ON EITHER SIDE OF THE CENTER OF ONE DUMMY PANEL WHILE MAINTAINING 8'-0" MINIMUM BETWEEN CENTER LINES OF THE JUNCTION BOXES.



**CONDUIT DEFLECTION FITTING B**  
 CONDUIT FITTING - TYPE DX FOR DEFLECTION OF 30° AND 3/4" MOVEMENT. CONDUIT PIPES PLACED THROUGH RETAINING WALL TRAFFIC BARRIER SHALL BE FITTED WITH DEFLECTION FITTINGS AT A MAXIMUM SPACING OF 120'. THE DEFLECTION FITTINGS SHALL BE PLACED AT THE TRAFFIC BARRIER OPEN JOINT THAT COINCIDES WITH THE RETAINING WALL EXPANSION JOINT.

\* NEMA 4X IN STATIONARY FORM BARRIER, OR NEMA 3R IN SLIP FORM BARRIER. MOUNT JUNCTION BOX SO COVER IS FLUSH WITH BARRIER, CAN BE RECESSED UP TO 1/8".



Bridge Design Engr.	M:\STANDARD\Traffic Barriers\Single Slope\SS42TB3.MAN	REGION NO.	STATE	FED. AID PROJ. NO.	SHEET NO.	TOTAL SHEETS
Supervisor		10	WASH.			
Designed By		JOB NUMBER				
Checked By						
Detailed By						
Bridge Projects Engr.						
Prelim. Plan By						
Architect/Specialist	DATE	REVISION	BY	APPD		

**BRIDGE AND STRUCTURES OFFICE**

**Washington State Department of Transportation**

**STANDARD TRAFFIC BARRIERS**

TRAFFIC BARRIER - SINGLE SLOPE 42'  
DETAILS 3 OF 3

BRIDGE SHEET NO.

SHEET

OF

SHEETS