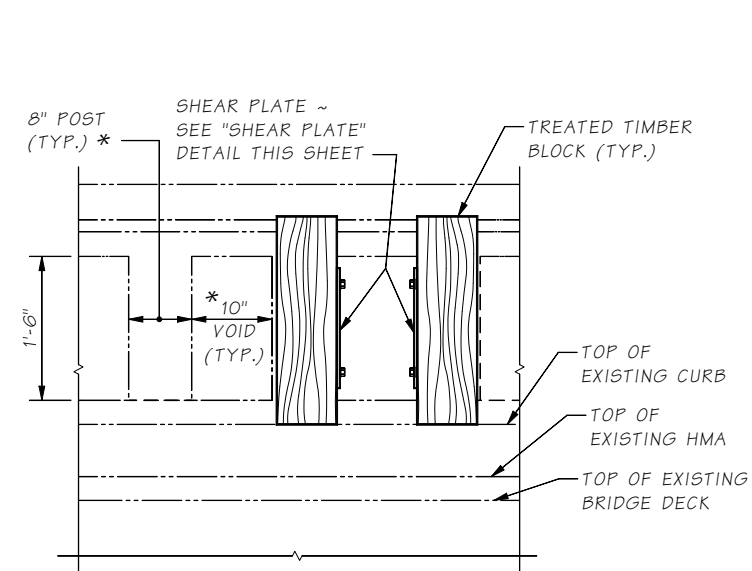
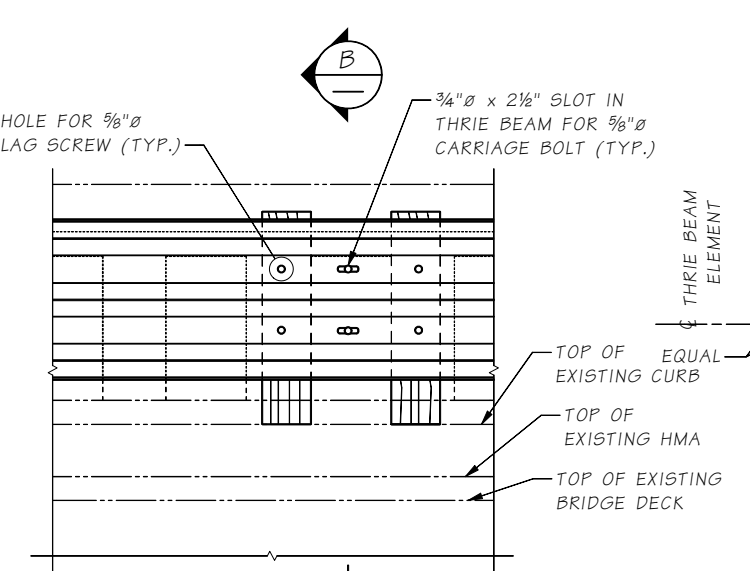


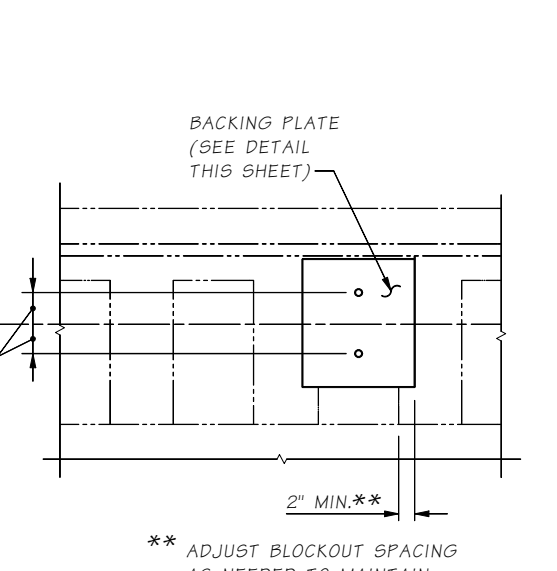
**ELEVATION  
RAIL END POST**



**BALUSTER POST  
INSIDE ELEVATION**  
THRIE BEAM NOT SHOWN FOR CLARITY



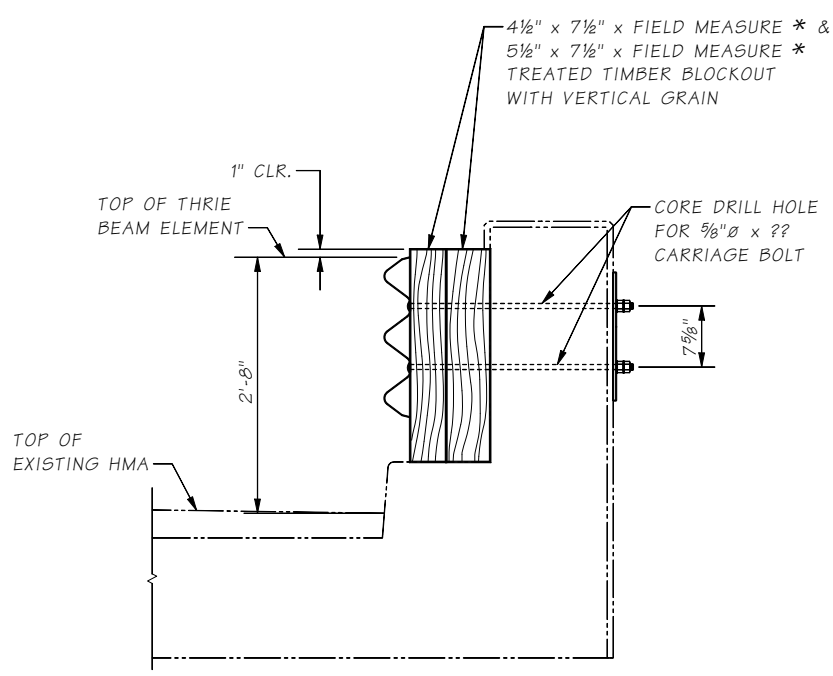
**BALUSTER POST  
INSIDE ELEVATION**



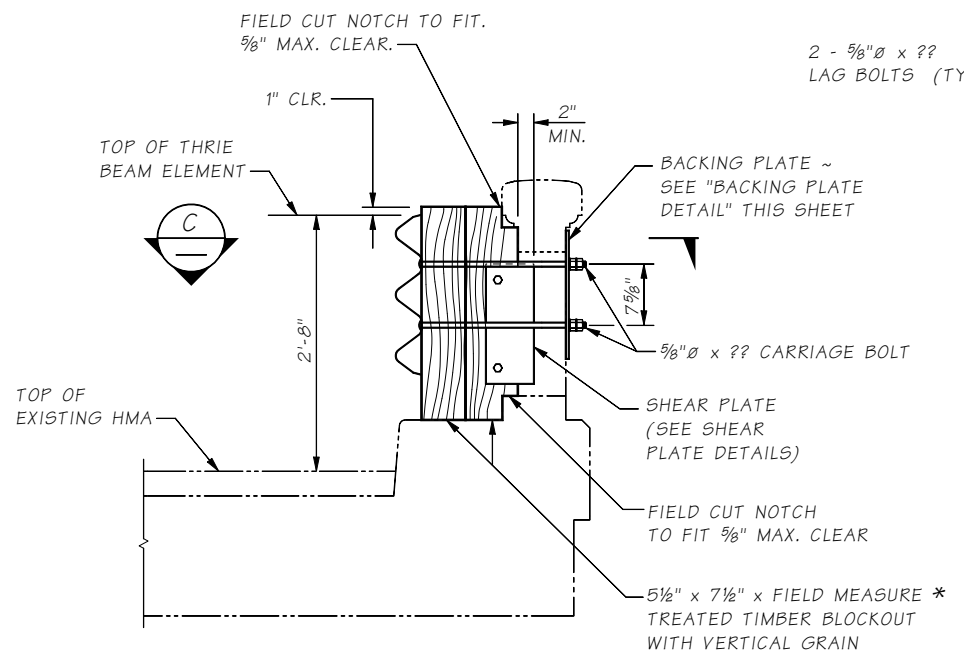
**BALUSTER POST  
OUTSIDE ELEVATION**  
THRIE BEAM NOT SHOWN FOR CLARITY

**NOTES:**

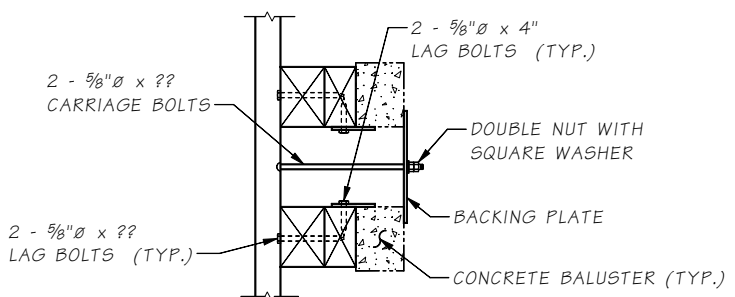
\* SEE GENERAL NOTE NO. 5 ON BRIDGE SHEET NO. 1.



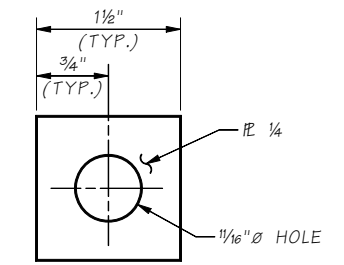
**SECTION A**  
REQUIRED AT ?? LOCATIONS



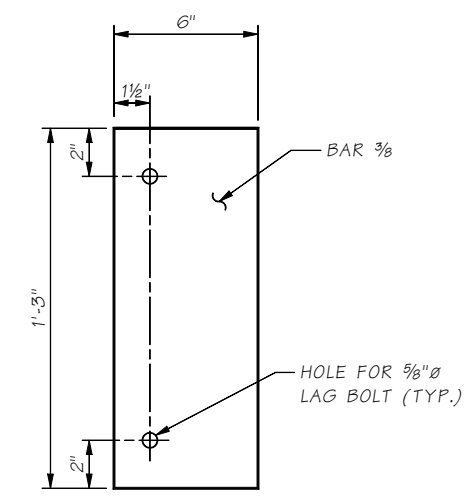
**SECTION B**  
?? ASSEMBLIES



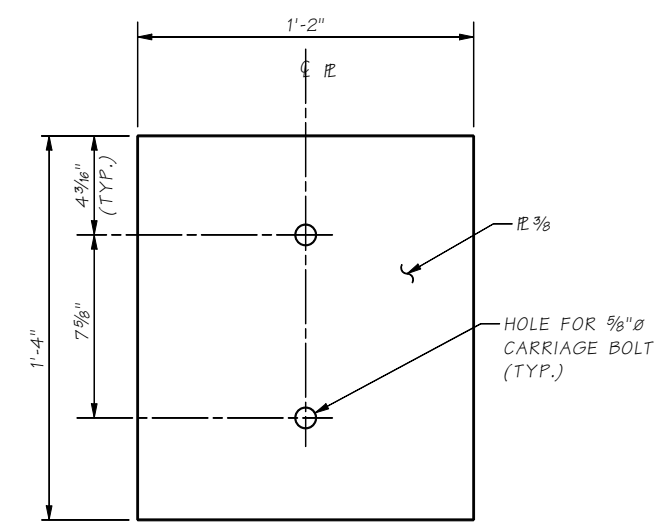
**SECTION C**



**SQUARE WASHER**



**SHEAR PLATE**



**BACKING PLATE  
DETAIL**

LAST REVISED: 1/14/2012

SHEET 0

JOB NO. 10.4-A1-1

Bridge Design Engr.	M:\STANDARDS\Traffic Barriers\Rail Retrofit\BALUSTER STANDARD.MAN					REGION NO.	STATE	FED. AID PROJ. NO.	SHEET NO.	TOTAL SHEETS
Supervisor						10	WASH.			
Designed By										
Checked By										
Detailed By										
Bridge Projects Engr.										
Prelim. Plan By										
Architect/Specialist	DATE	REVISION	BY	APP'D						

**BRIDGE  
AND  
STRUCTURES  
OFFICE**



**STANDARD  
RAIL RETROFITS**  
Thrie Beam Retrofit Concrete Baluster

BRIDGE SHEET NO. 0 OF SHEETS