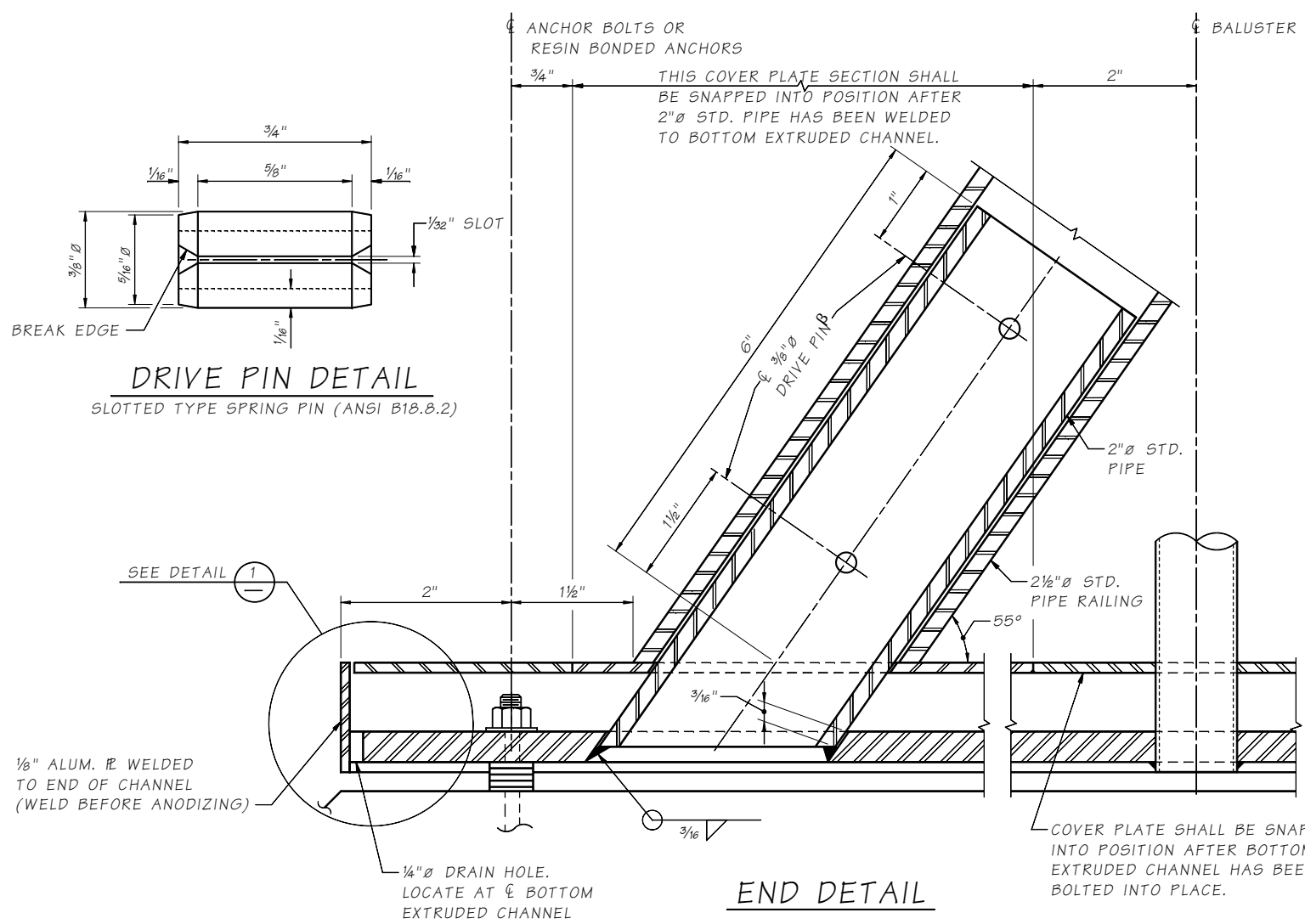
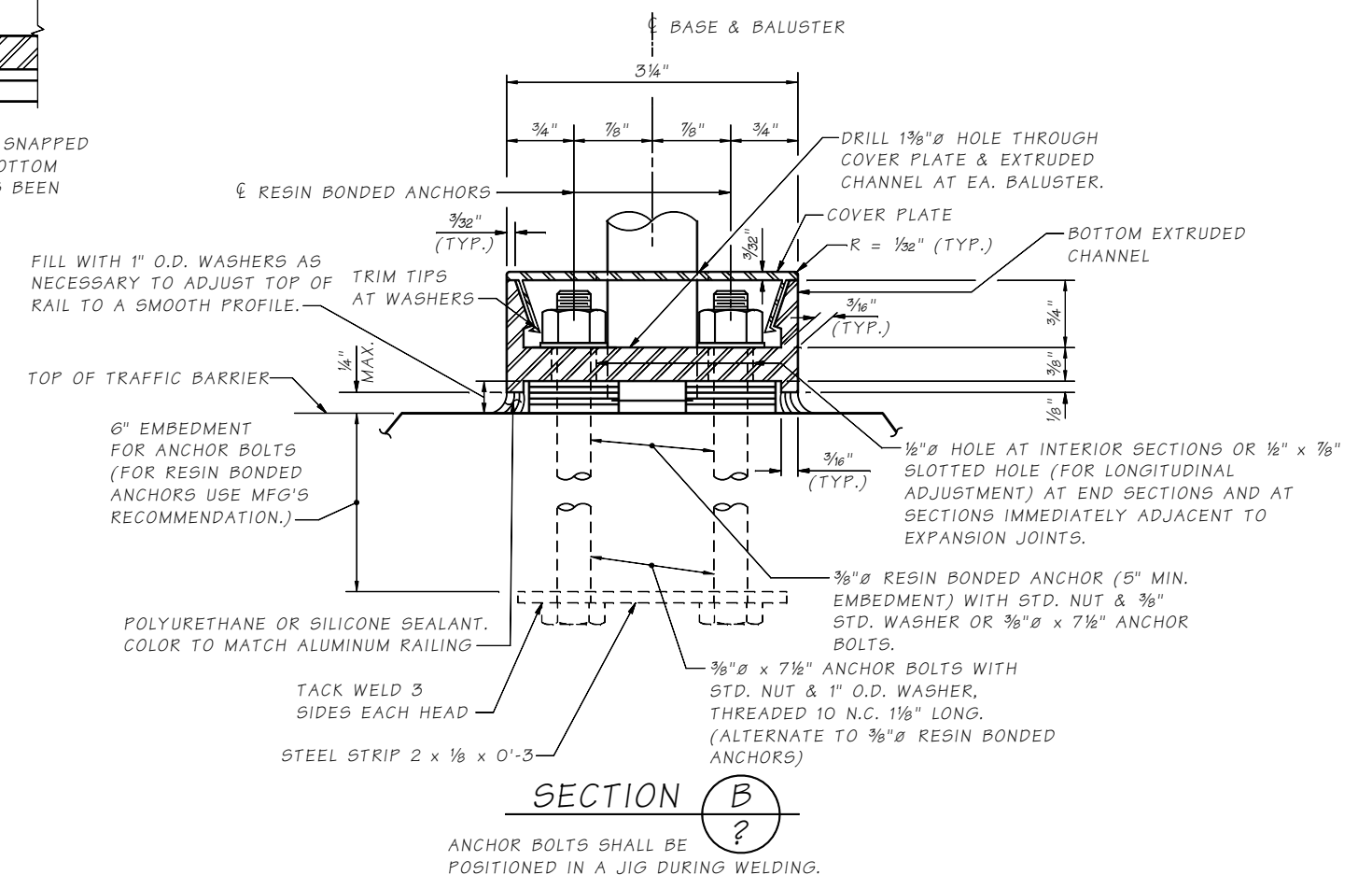
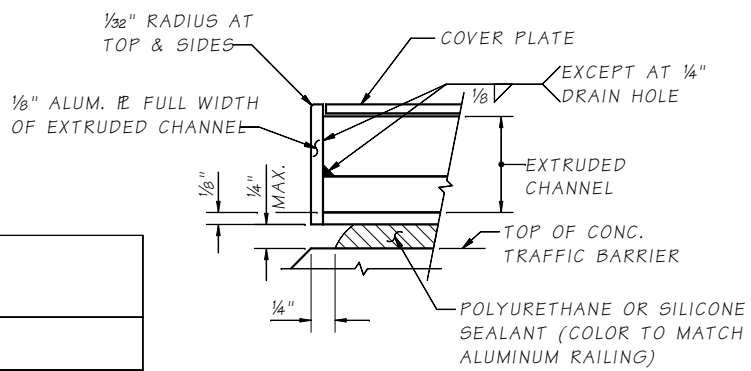


Last revised on : 9/14/2018

JOB NO. 10.5-A6-2



PART	MATERIAL SPECIFICATION
PIPES	ASTM B221-6005-T5 OR 6005A-T5 ASTM B241-6061-T6 OR B429
EXTRUDED CHANNELS, COVER PLATES & BAR	ASTM B221-6005-T5 OR 6005A-T5
ANCHOR BOLTS, NUTS & WASHERS	STANDARD SPECIFICATION SECTION 9-06.5(4) (GALVANIZE IN ACCORDANCE WITH AASHTO SPECIFICATION M 232)
STRIP	ASTM A36
DRIVE PINS	ASTM A276 OR A240 TYPE 302 STAINLESS STEEL



Bridge Design Engr.	M:\STANDARDS\BP Rail\10.5-A6-2_BRIDGE RAILING TYPE BP-12_DET 2 OF 2.MAN	REGION NO.	STATE	FED. AID PROJ. NO.	SHEET NO.	TOTAL SHEETS
Supervisor		10	WASH.			
Designed By		JOB NUMBER				
Checked By						
Detailed By						
Bridge Projects Engr.						
Prelim. Plan By						
Architect/Specialist	DATE	REVISION	BY	APPD		

**BRIDGE AND STRUCTURES OFFICE**



**STANDARD RAILING**

BRIDGE RAILING TYPE BP-12  
DETAILS 2 OF 2

BRIDGE SHEET NO.  
SHEET  
OF  
SHEETS