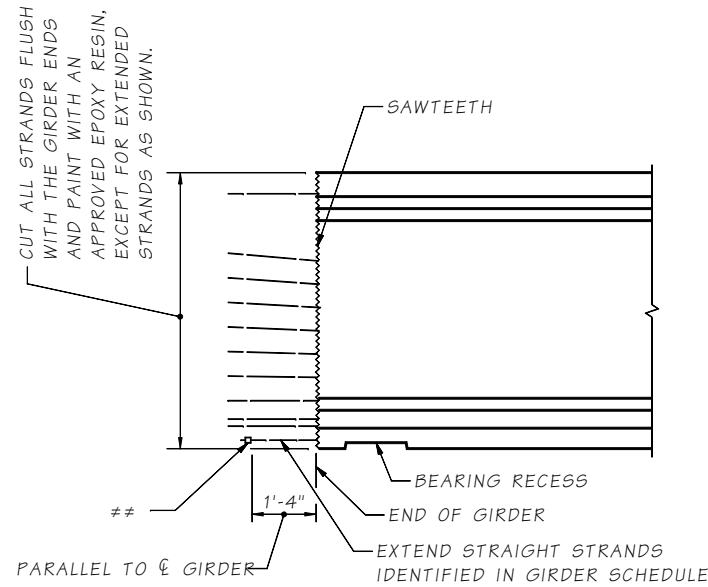


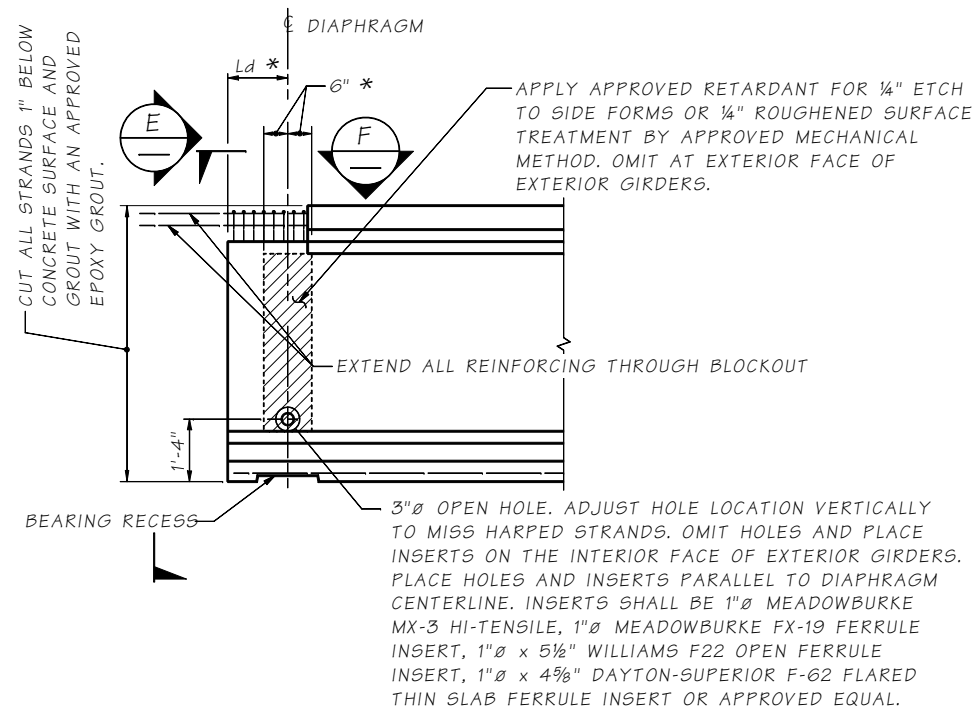
Last revised on : 09/18/2018

SHEET

JOB NO. 5.0-A6-12

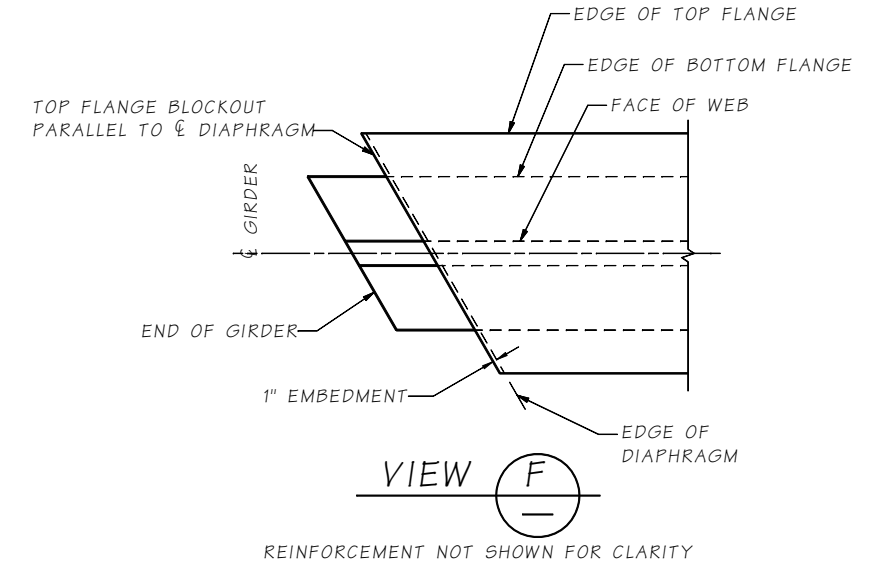


END TYPE A

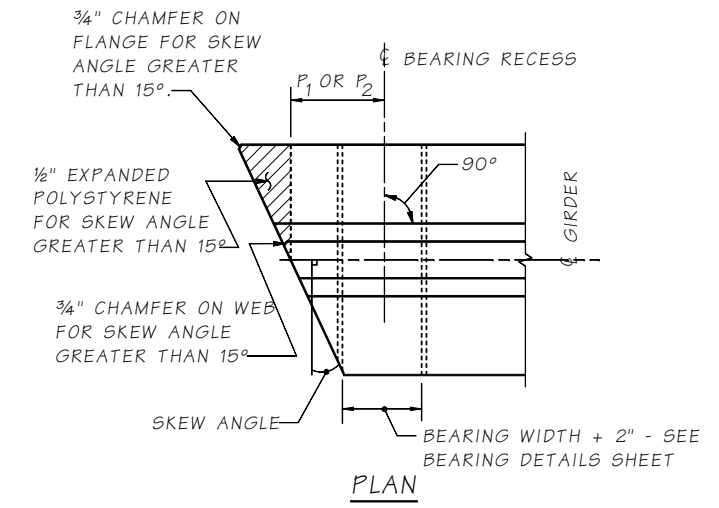


END TYPE B

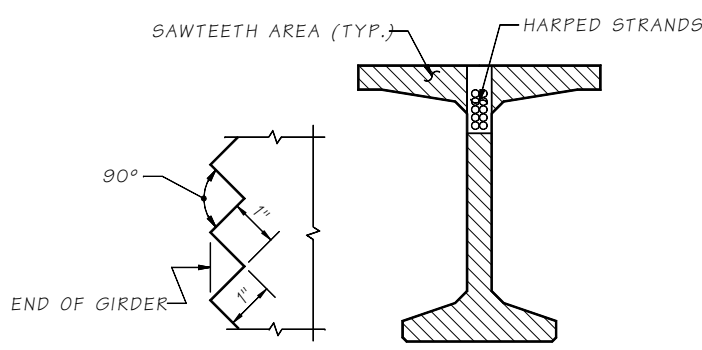
- * MEASURED NORMAL TO CL DIAPHRAGM
- ** STRAND CHUCK, ASTM A108 2 3/4"Ø x 1 1/8" STEEL STRAND ANCHOR, OR APPROVED EQUAL (TYP.). VERIFY STRAND GRIPS ARE SEATED TIGHTLY IMMEDIATELY BEFORE PLACING DIAPHRAGM CONCRETE. SECURELY TIE ANCHOR TO THE REBAR CAGE TO PREVENT DISPLACEMENT DURING CONCRETE PLACEMENT.



VIEW F

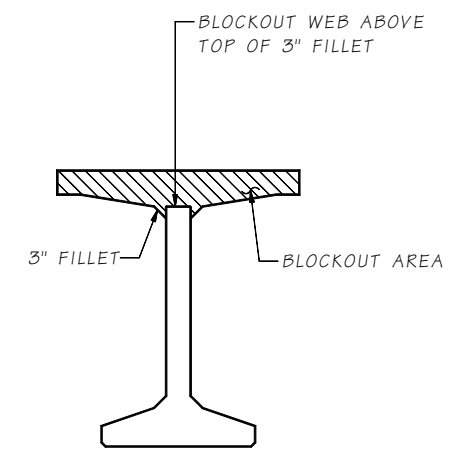


PLAN

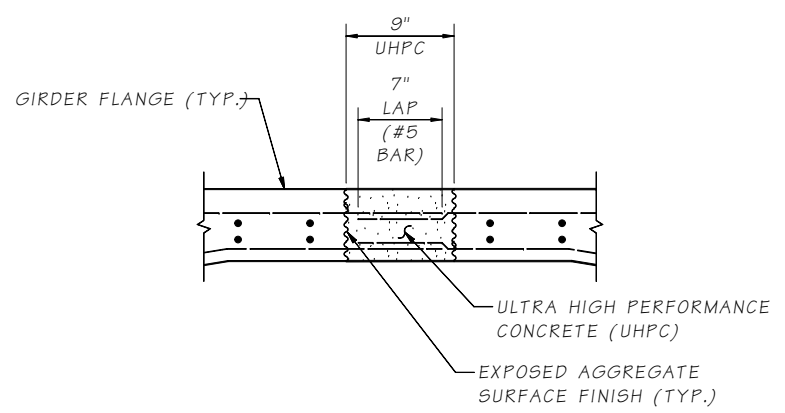


SAWTEETH DETAIL

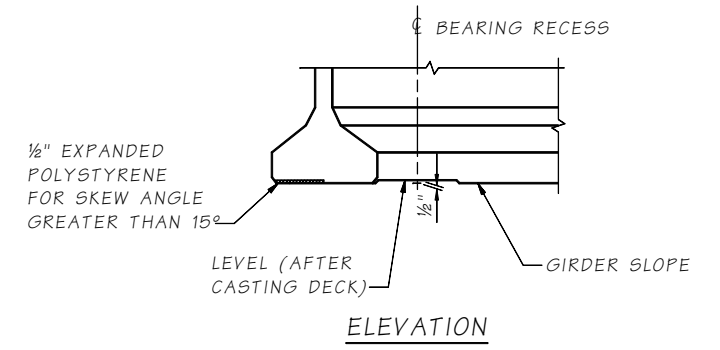
SAWTEETH SHALL BE FULL WIDTH OVER AREA SHOWN



VIEW E



JOINT DETAIL



ELEVATION

BEARING RECESS AND BOTTOM FLANGE SPALL PROTECTION DETAIL

BEARING RECESS FORMS SHALL BE CONSTRUCTED AND FASTENED TO AVOID GIRDER DAMAGE DURING STRAND RELEASE.
REINFORCEMENT NOT SHOWN FOR CLARITY

Bridge Design Engr.	M:\STANDARDS\Girders\WFDG\WFDG_UHPC\WFDG_UHPC GIRDER DETAILS 3 OF 5.MAN	REGION NO.	STATE	FED. AID PROJ. NO.	SHEET NO.	TOTAL SHEETS
Supervisor		10	WASH.			
Designed By		JOB NUMBER				
Checked By						
Detailed By						
Bridge Projects Engr.						
Prelim. Plan By						
Architect/Specialist	DATE	REVISION	BY	APPD		

Tue Nov 27 14:53:23 2018

BRIDGE AND STRUCTURES OFFICE



BRIDGE SHEET NO.	
SHEET	
OF	
SHEETS	

WF DECK GIRDER (UHPC)
DETAILS 3 OF 5