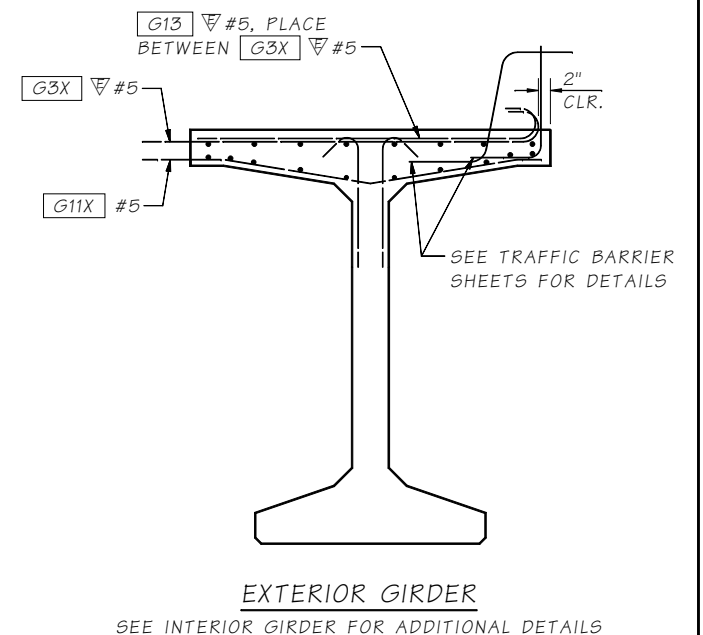
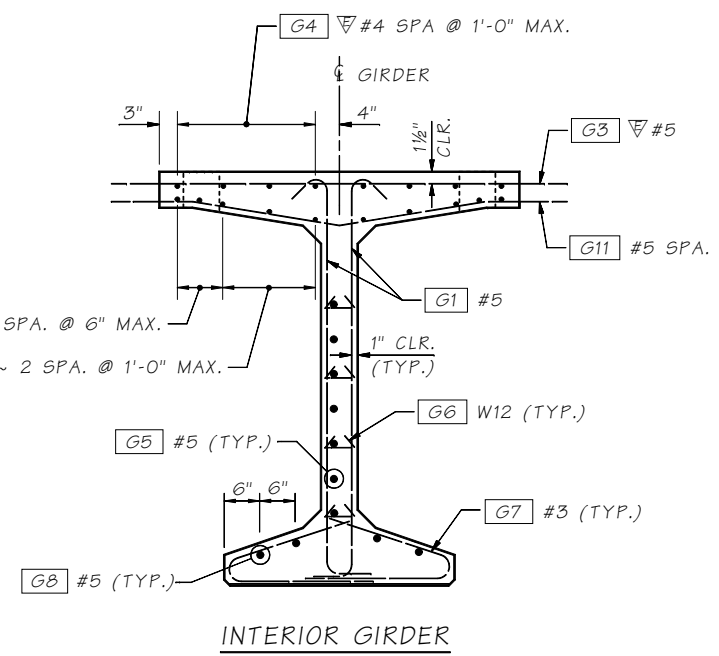
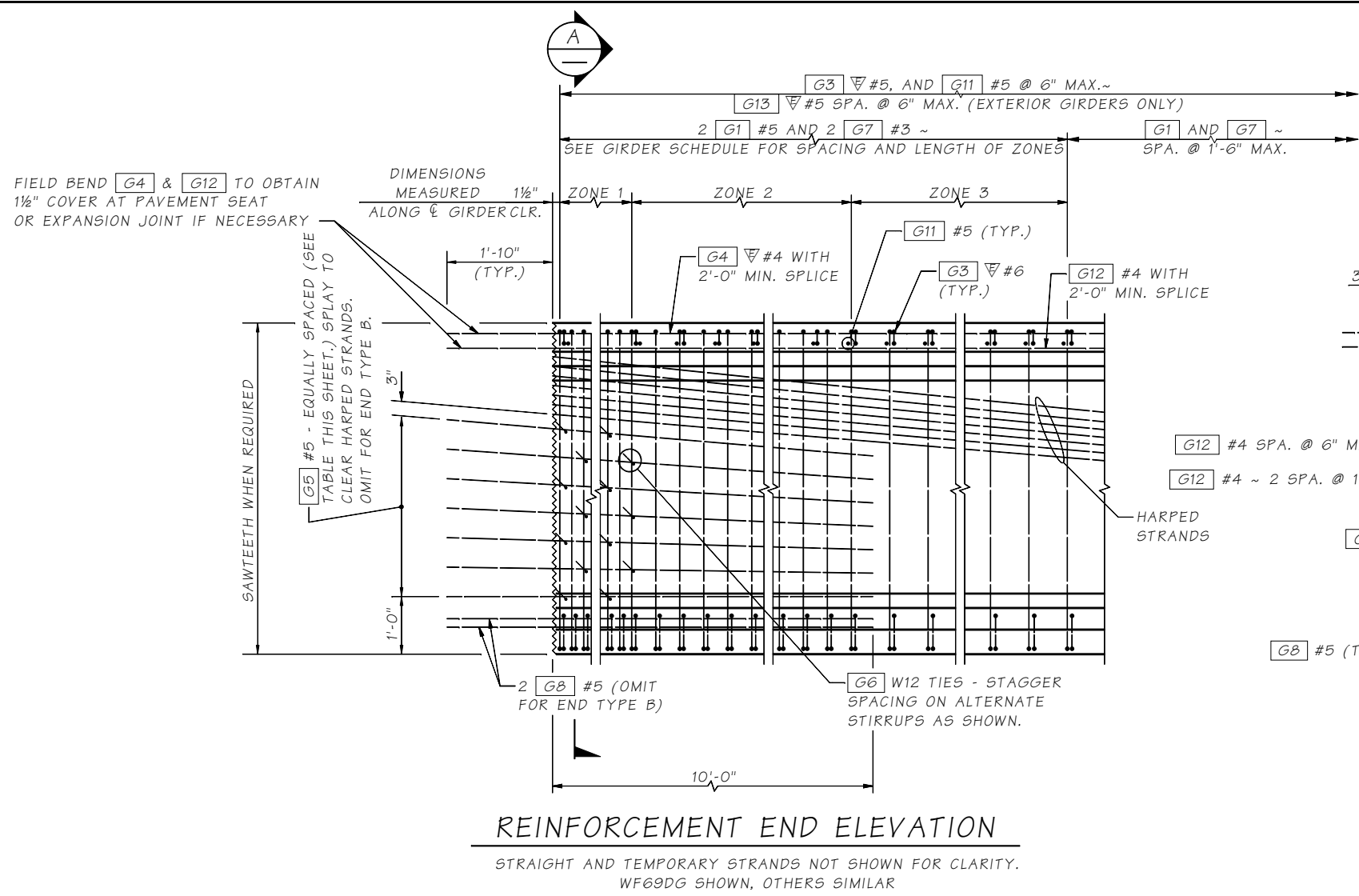


Last revised on : 09/18/2018

SR JOB NO. SHEET

5.6-A6-13



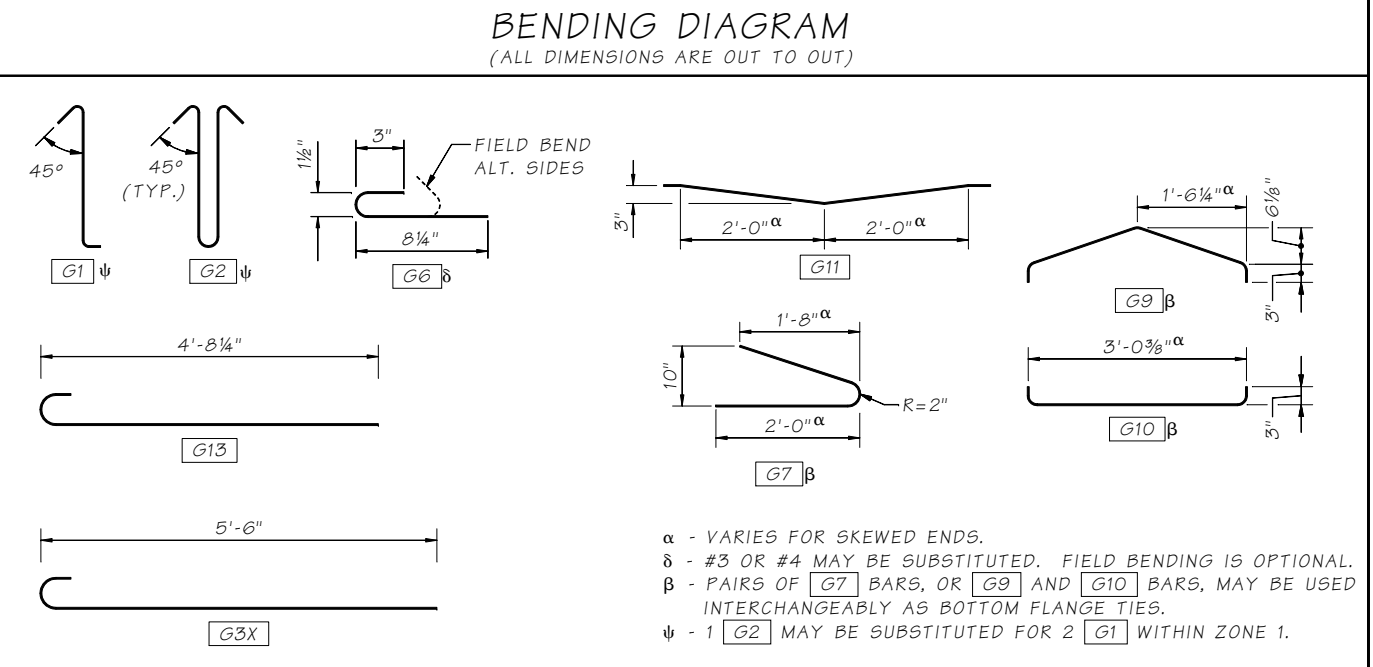
SECTION **A**

STRANDS NOT SHOWN

GIRDER SERIES	NO. OF <b>G5</b> BARS
WF39DG	3
WF45DG	4
WF53DG	5
WF61DG	6
WF69DG	7
WF77DG	7
WF86DG	8
WF98DG	9
WF103DG	10

GIRDER REINFORCEMENT NOTES

1. DEFORMED WELDED WIRE REINFORCEMENT MAY BE SUBSTITUTED FOR MILD REINFORCEMENT IN ACCORDANCE WITH STANDARD SPECIFICATION 6-02.3(25)A.



Bridge Design Engr.	M:\STANDARDS\Girders\WFDG\WFDG UHPC\WFDG UHPC GIRDER DETAILS 4 OF 5.MAN				
Supervisor		REGION NO.	STATE	FED. AID PROJ. NO.	SHEET NO.
Designed By		10	WASH.		
Checked By		JOB NUMBER			
Detailed By					
Bridge Projects Engr.					
Prelim. Plan By					
Architect/Specialist	DATE	REVISION	BY	APPD	

BRIDGE AND STRUCTURES OFFICE



WF DECK GIRDER (UHPC)  
DETAILS 4 OF 5

BRIDGE SHEET NO.  
SHEET  
OF  
SHEETS