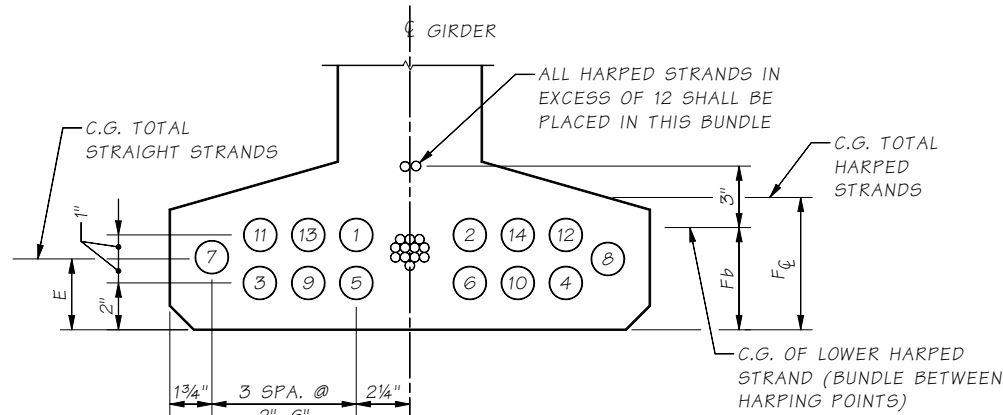


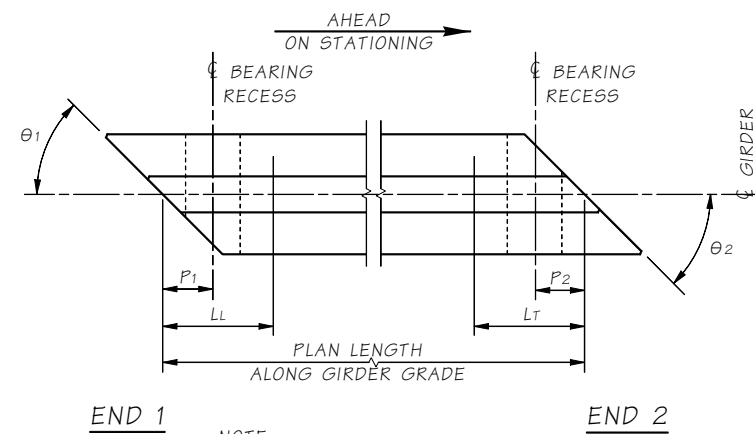
STRAND PATTERN AT GIRDER END

HARPED STRAND LOCATION SEQUENCE SHALL BE AS SHOWN (1), (2) ETC.



STRAND PATTERN AT ϕ SPAN

STRAIGHT STRAND LOCATION SEQUENCE SHALL BE AS SHOWN (1), (2) ETC.



NOTE: LL AND Lt ARE SHIPPING SUPPORT LOCATIONS AT LEADING AND TRAILING ENDS, RESPECTIVELY.

GIRDER SCHEDULE

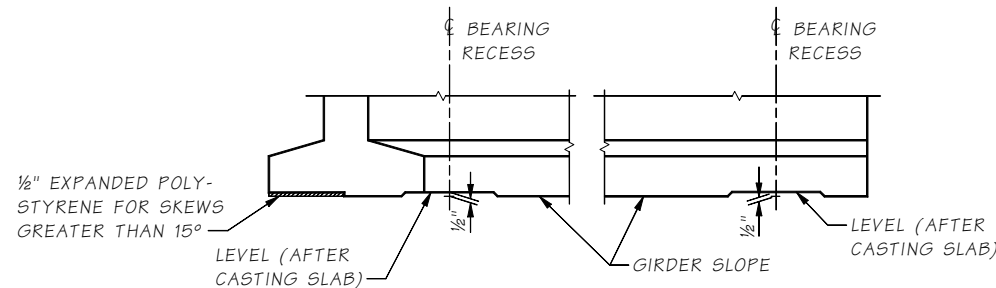
SAWTOOTH DETAILS

SAWTEETH ARE FULL WIDTH - USE SAWTOOTH KEYS FROM BOTTOM OF BOTTOM FLANGE TO BOTTOM OF LOWEST HARPED STRAND AS WELL AS TOP FLANGE ADJACENT TO HARPED STRANDS AS SHOWN IN VIEW B - GIRDER DETAILS 1 OF 2.

DIMENSION "A" AT ϕ BEARINGS =

BASED ON GIRDER DEFLECTION = "D" AT TIME OF SLAB PLACEMENT (120 DAYS)

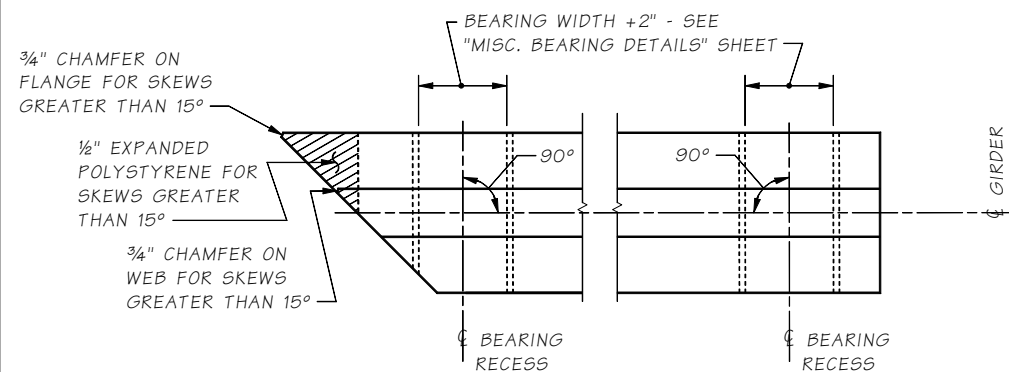
SPAN	GIRDER	END 1 TYPE	END 2 TYPE	L	LL	Lt	θ_1 (DEG.)	θ_2 (DEG.)	P1	P2	PLAN LENGTH (ALONG GIRDER GRADE)	MIN. CONC. COMP. STRENGTH		HARPED		STRAIGHT		LOCATION OF C.G. STRANDS				C	D @ 40 DAYS	D @ 120 DAYS	Ld
												@ FINAL F/C (KSI)	@ RELEASE F/C (KSI)	NO. OF STRANDS	JACKING FORCE (KIPS)	NO. OF STRANDS	JACKING FORCE (KIPS)	E	F ϕ	Fb	Fo				
-	-	-	-	-	-	-	-	-	-	-	-	-	-	-	-	-	-	-	-	-	-	-	-	-	
-	-	-	-	-	-	-	-	-	-	-	-	-	-	-	-	-	-	-	-	-	-	-	-	-	



ELEVATION

NOTE: Dimensions shall be shown in Imperial units to the nearest 1/8th inch.

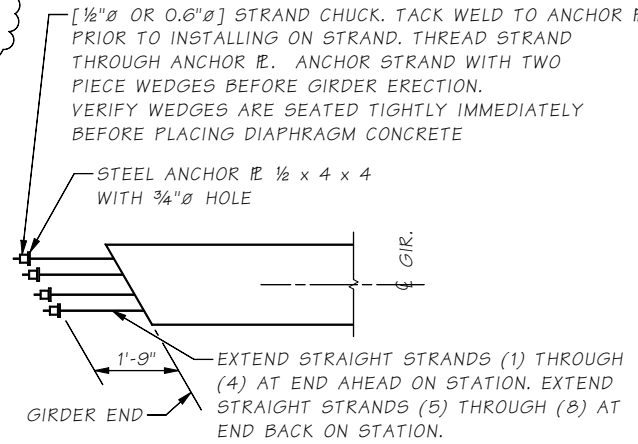
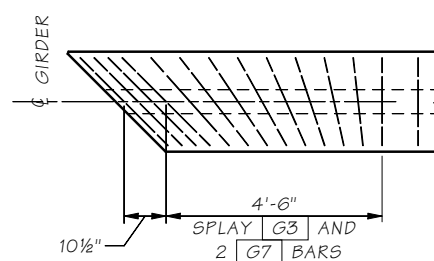
The number of harped strands should not exceed 1/2 of the number of straight strands.



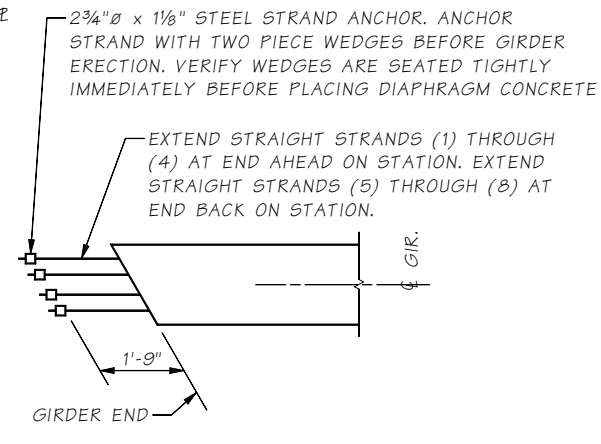
PLAN BEARING RECESS AND BOTTOM FLANGE SPALL PROTECTION

TRANSVERSE REINFORCING SKEWED ENDS

ONLY TRANSVERSE REINF. SHOWN



ALTERNATE #1



ALTERNATE #2

STRAND EXTENSION DETAIL

Number of extended strands shall be determined by the designer.

SR JOB NO. 5.6-A3-2

Bridge Design Engr.	M:\STANDARDS\Girders\W42G\W42G2.man	REGION NO.	STATE	FED. AID PROJ. NO.	SHEET NO.	TOTAL SHEETS
Supervisor		10	WASH.			
Designed By		JOB NUMBER				
Checked By						
Detailed By						
Bridge Projects Engr.						
Prelim. Plan By						
Architect/Specialist	DATE	REVISION	BY	APP'D		

Wed Mar 04 11:53:33 2015

BRIDGE AND STRUCTURES OFFICE



STANDARD PRESTRESSED CONCRETE GIRDERS

W42G GIRDER DETAILS 2 OF 2

BRIDGE SHEET NO.
SHEET
OF
SHEETS