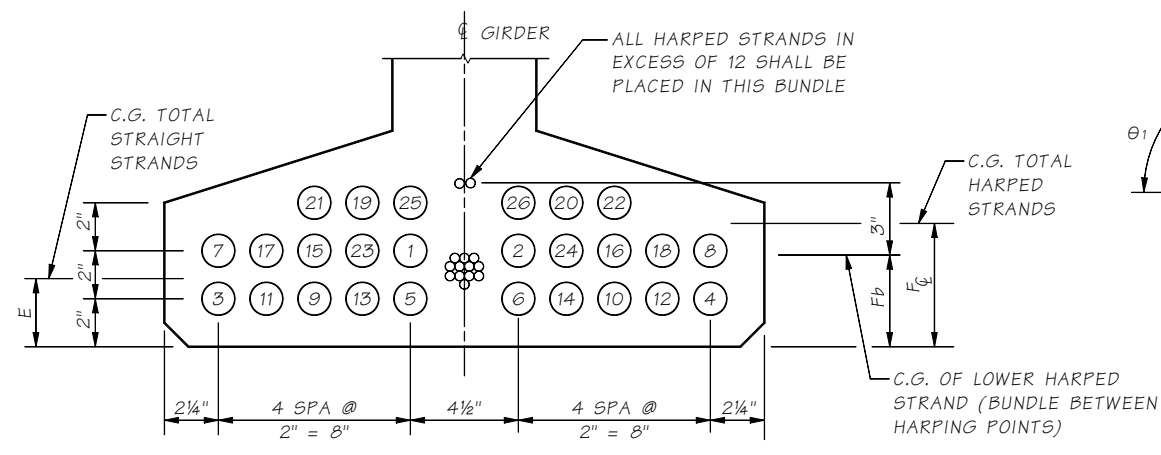


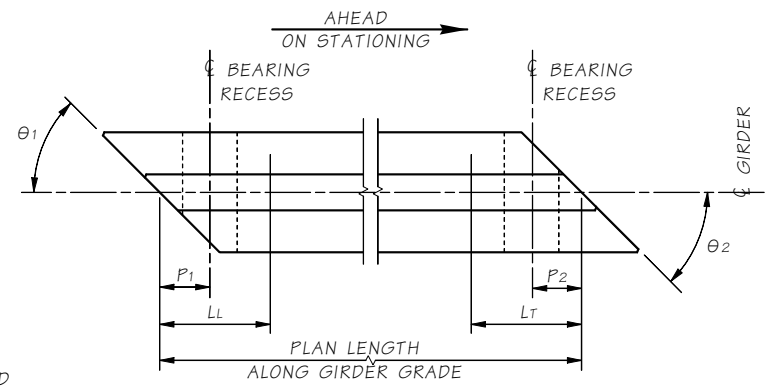
**STRAND PATTERN AT GIRDER END**

HARPED STRAND LOCATION SEQUENCE SHALL BE AS SHOWN (1), (2) ETC.



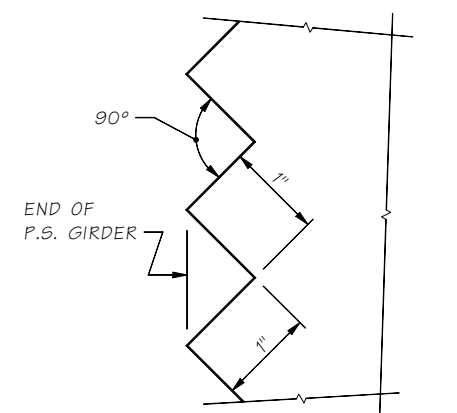
**STRAND PATTERN AT C/SPAN**

STRAIGHT STRAND LOCATION SEQUENCE SHALL BE AS SHOWN (1), (2) ETC.



NOTE: LL AND LT ARE SHIPPING SUPPORT LOCATIONS AT LEADING AND TRAILING ENDS, RESPECTIVELY.

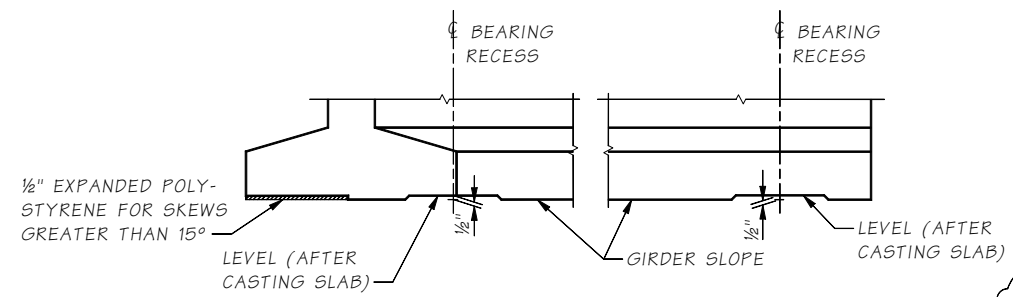
**GIRDER SCHEDULE**



**SAWTOOTH DETAILS**

SAWTEETH ARE FULL WIDTH - USE SAWTOOTH KEYS FROM BOTTOM OF BOTTOM FLANGE TO BOTTOM OF LOWEST HARPED STRAND AS WELL AS TOP FLANGE ADJACENT TO HARPED STRANDS AS SHOWN IN VIEW B - GIRDER DETAILS 1 OF 2

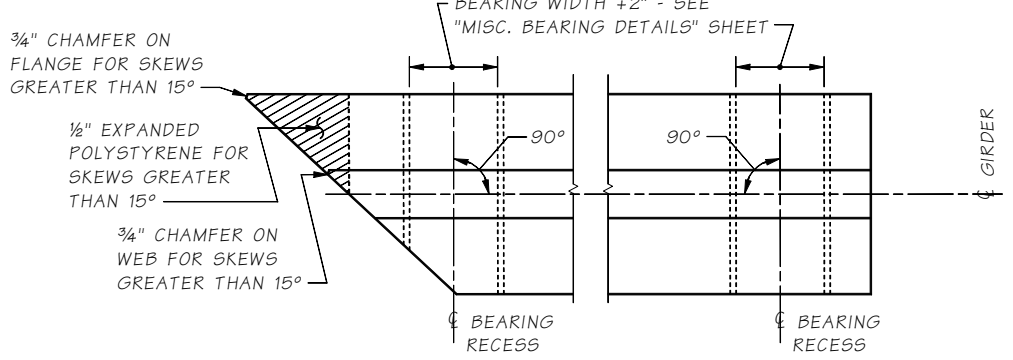
SPAN	GIRDER	DIMENSION "A" AT C/ BEARINGS =										BASED ON GIRDER DEFLECTION = "D" AT TIME OF SLAB PLACEMENT (120 DAYS)													
		END 1 TYPE	END 2 TYPE	L	LL	LT	θ <sub>1</sub> (DEG.)	θ <sub>2</sub> (DEG.)	P <sub>1</sub>	P <sub>2</sub>	PLAN LENGTH (ALONG GIRDER GRADE)	MIN. CONC. COMP. STRENGTH		HARPED		STRAIGHT		LOCATION OF C.G. STRANDS				C	D @ 40 DAYS	D @ 120 DAYS	L <sub>d</sub>
												@ FINAL F/C (KSI)	@ RELEASE F/C (KSI)	NO. OF STRANDS	JACKING FORCE (KIPS)	NO. OF STRANDS	JACKING FORCE (KIPS)	E	F <sub>C</sub>	F <sub>b</sub>	F <sub>o</sub>				
-	-	-	-	-	-	-	-	-	-	-	-	-	-	-	-	-	-	-	-	-	-	-	-	-	-



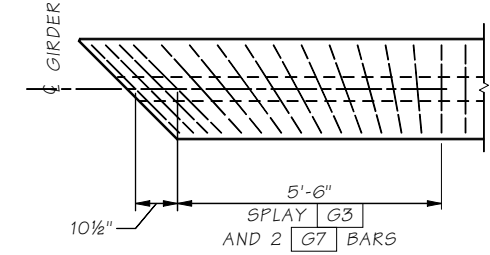
**ELEVATION**

NOTE: Dimensions shall be shown in Imperial units to the nearest 1/8th inch.

The number of harped strands should not exceed 1/2 of the number of straight strands.

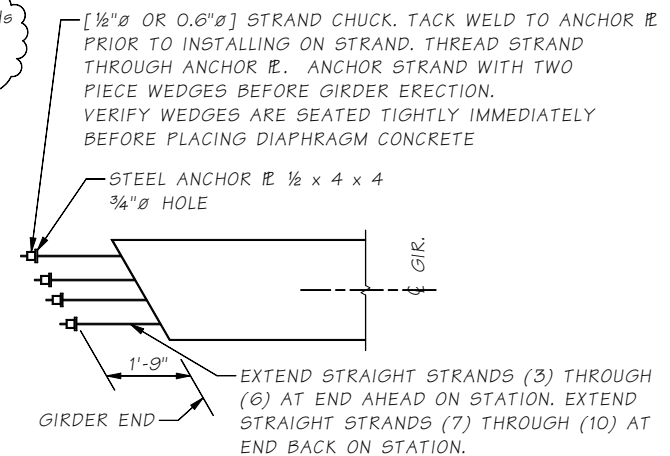


**PLAN BEARING RECESS AND BOTTOM FLANGE SPALL PROTECTION**

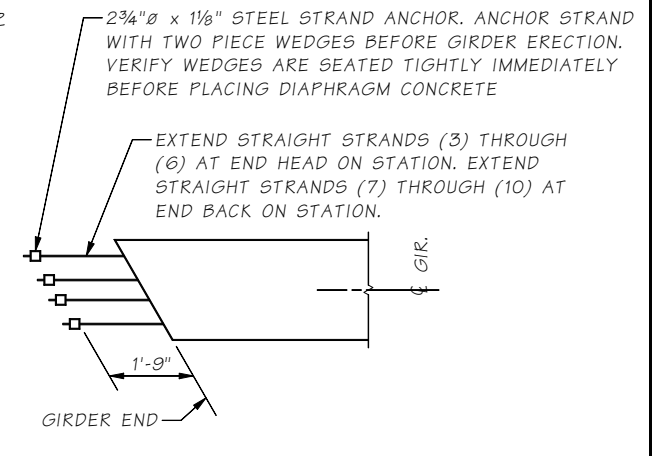


**TRANSVERSE REINFORCING SKEWED ENDS**

ONLY TRANSVERSE REINF. SHOWN



**ALTERNATE #1**



**ALTERNATE #2**

**STRAND EXTENSION DETAIL**

Number of extended strands shall be determined by the designer.

5.6-A3-4

Bridge Design Engr.	M:\STANDARDS\Girders\W\W50G\W50G2.man
Supervisor	
Designed By	
Checked By	
Detailed By	
Bridge Projects Engr.	
Prelim. Plan By	
Architect/Specialist	
DATE	REVISION
BY	APPD

REGION NO.	STATE	FED. AID PROJ. NO.	SHEET NO.	TOTAL SHEETS
10	WASH.			
JOB NUMBER				

**BRIDGE AND STRUCTURES OFFICE**



**STANDARD PRESTRESSED CONCRETE GIRDERS**  
W50G GIRDER  
DETAILS 2 OF 2