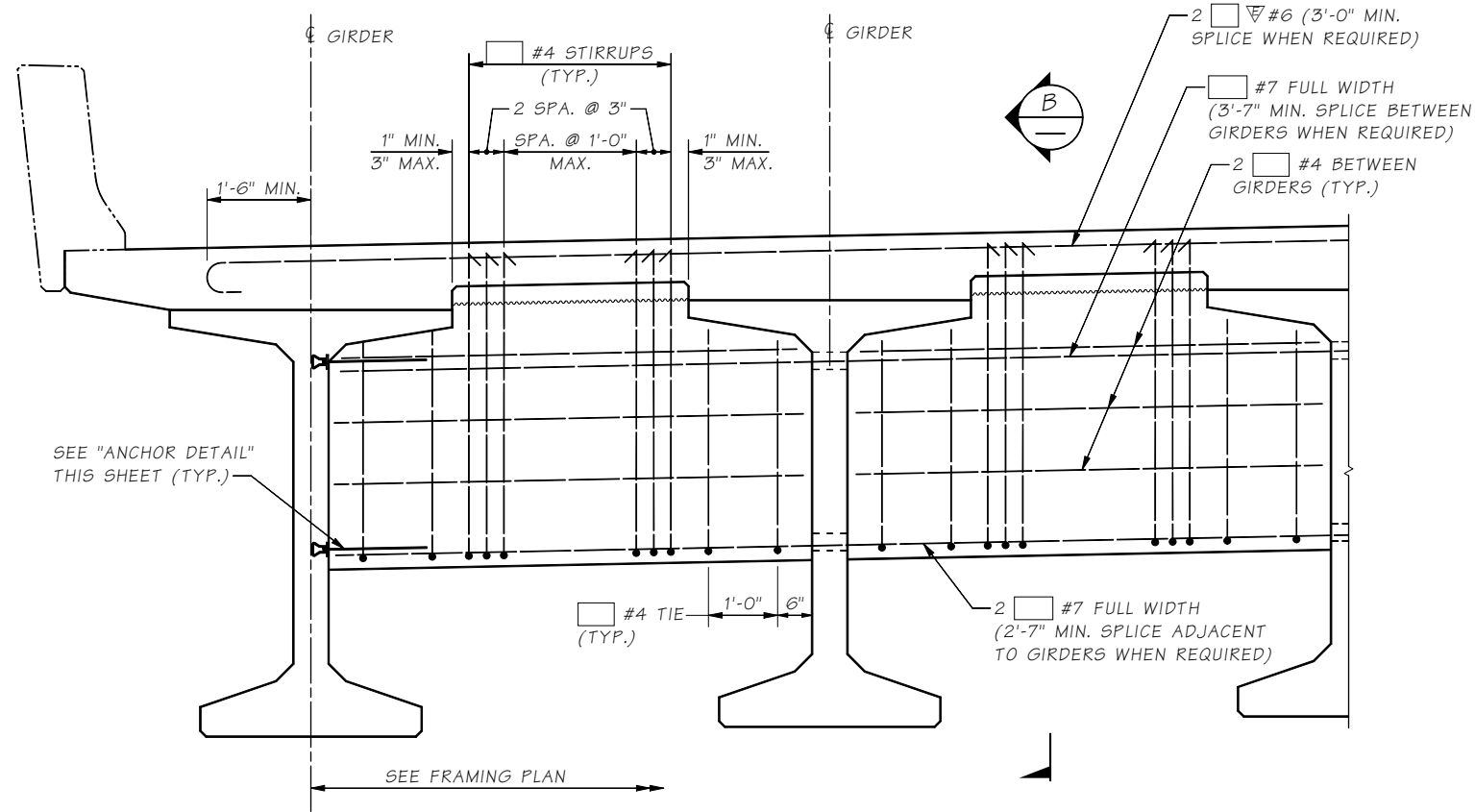


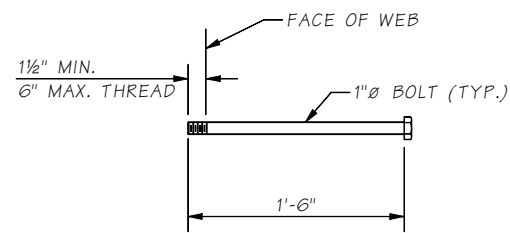
Last revised on : 01/01/2015

SHEET NO. 5.6-A4-10



**ELEVATION**  
**PARTIAL DEPTH INTERMEDIATE DIAPHRAGM**

DIMENSIONS ARE ALONG DIAPHRAGM



**ANCHOR DETAIL**

ASTM A-307

**NOTE TO DESIGNER:**

Full depth intermediate diaphragms are required for:

- 1-5 bridges
- Other bridges crossing over roads of ADT > 50,000

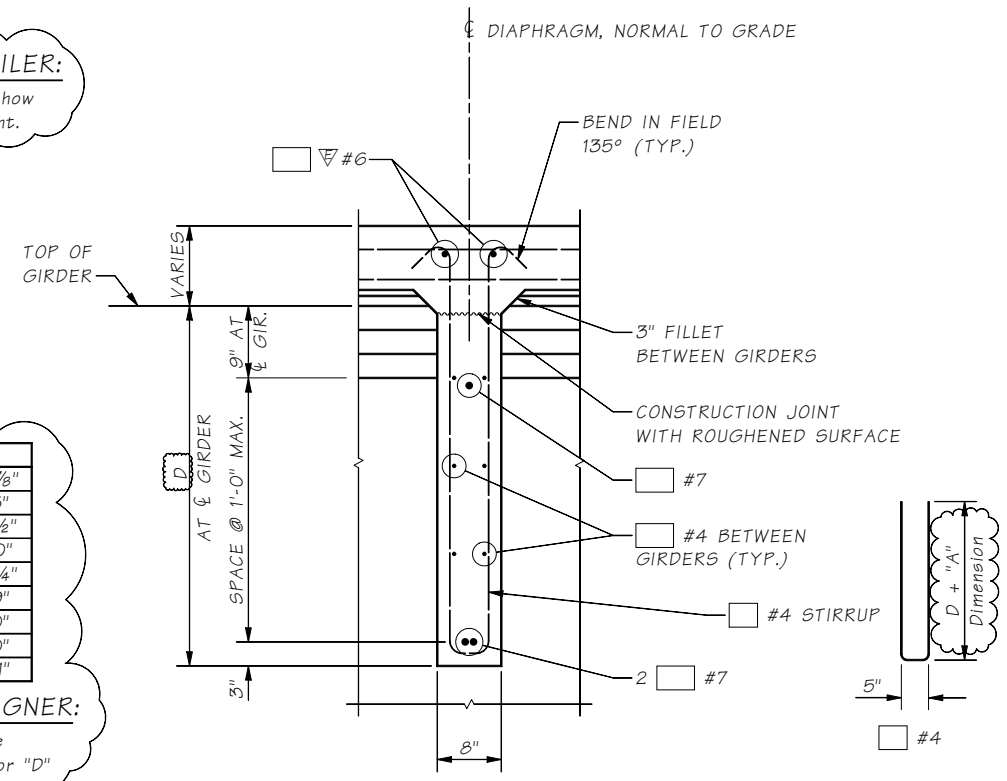
**NOTE TO DETAILER:**

Revise Details to show correct girder height.

GIRDER	D
WF36G	2'-0 <sup>7</sup> / <sub>8</sub> "
WF42G	2'-3"
WF50G	2'-7 <sup>1</sup> / <sub>2</sub> "
WF58G	2'-10"
WF66G	3'-4 <sup>1</sup> / <sub>4</sub> "
WF74G	3'-9"
WF83G	5'-0"
WF95G	5'-0"
WF100G	5'-11"

**NOTE TO DESIGNER:**

Insert appropriate dimension value for "D"



**SECTION B-B**

**NOTE TO DESIGNER:**

Insert appropriate dimension. Increase for vertical curve effect if necessary.

**NOTES:**

1. GIRDERS SHALL BE HELD RIGIDLY IN PLACE WHEN DIAPHRAGMS ARE PLACED.
2. IT MAY BE NECESSARY TO THREAD REINFORCING BARS THROUGH HOLES IN GIRDERS PRIOR TO PLACING EXTERIOR GIRDERS.
3. CUT/RELEASE GIRDER TEMPORARY STRANDS BEFORE CASTING DIAPHRAGM. SEE TEMPORARY STRAND CUTTING SEQUENCE.
4. LONGITUDINAL DIMENSIONS ARE NORMAL TO SKEW.
5. FOR CONCRETE PLACEMENT PROCEDURE SEE "SUPERSTRUCTURE CONSTRUCTION SEQUENCE" SHEET.

Bridge Design Engr.	M:\STANDARDS\Girders\WF\PARTIAL INTERMEDIATE DIAPHRAGM.MAN				REGION NO.	STATE	FED. AID PROJ. NO.	SHEET NO.	TOTAL SHEETS
Supervisor					10	WASH.			
Designed By					JOB NUMBER				
Checked By									
Detailed By									
Bridge Projects Engr.									
Prelim. Plan By									
Architect/Specialist	DATE	REVISION	BY	APP'D					

**BRIDGE AND STRUCTURES OFFICE**



**STANDARD PRESTRESSED CONCRETE GIRDERS**

PARTIAL DEPTH INTERMEDIATE DIAPHRAGM DETAILS

BRIDGE SHEET NO. OF SHEETS