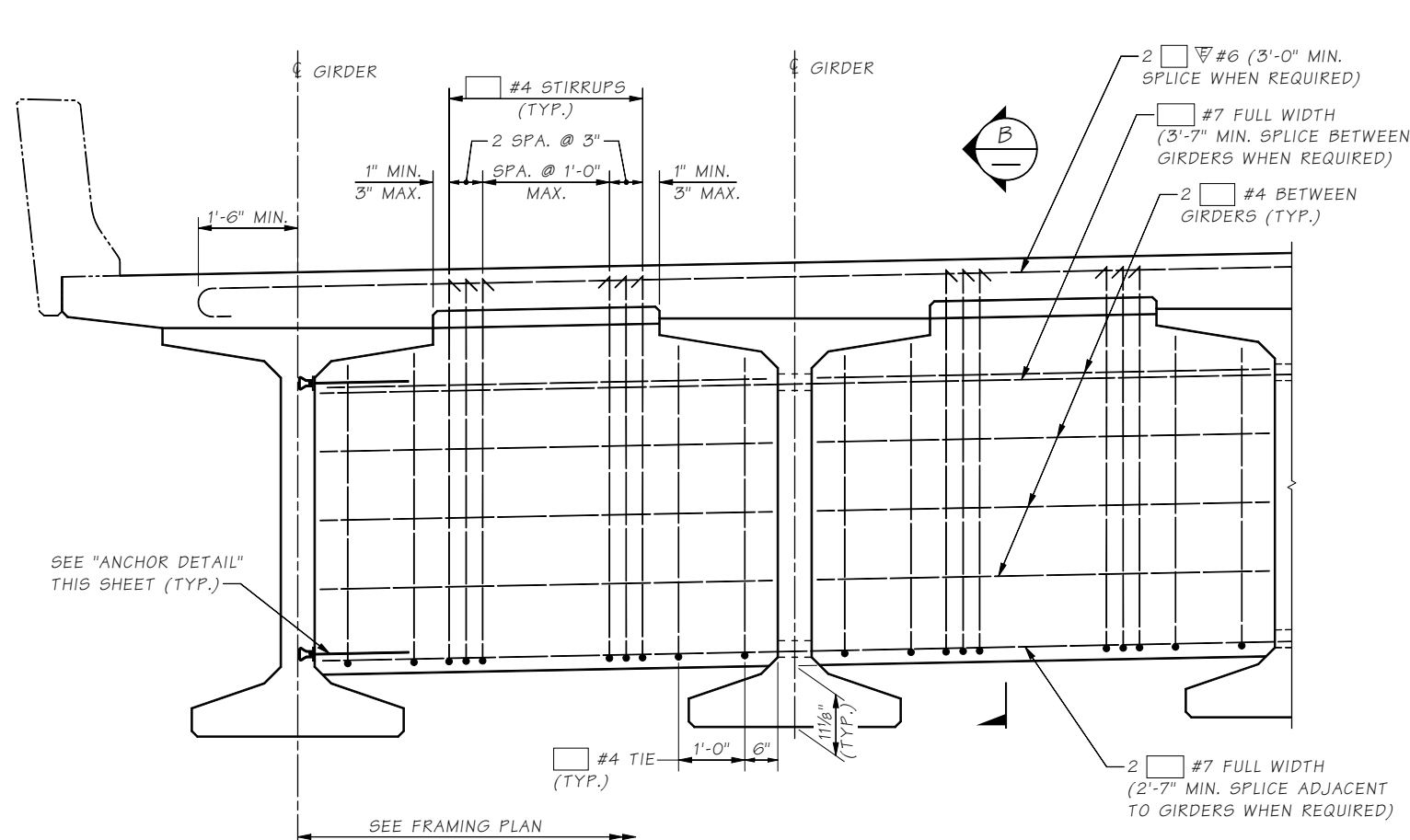


Last revised on : 01/01/2015

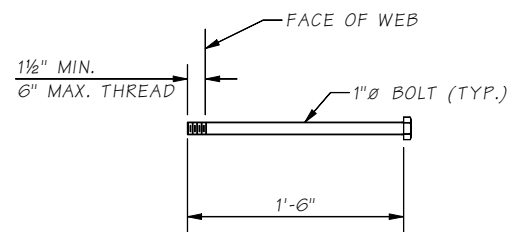
SHEET NO. SR FILE

5.6-A4-11



**ELEVATION**  
**FULL DEPTH INTERMEDIATE DIAPHRAGM**

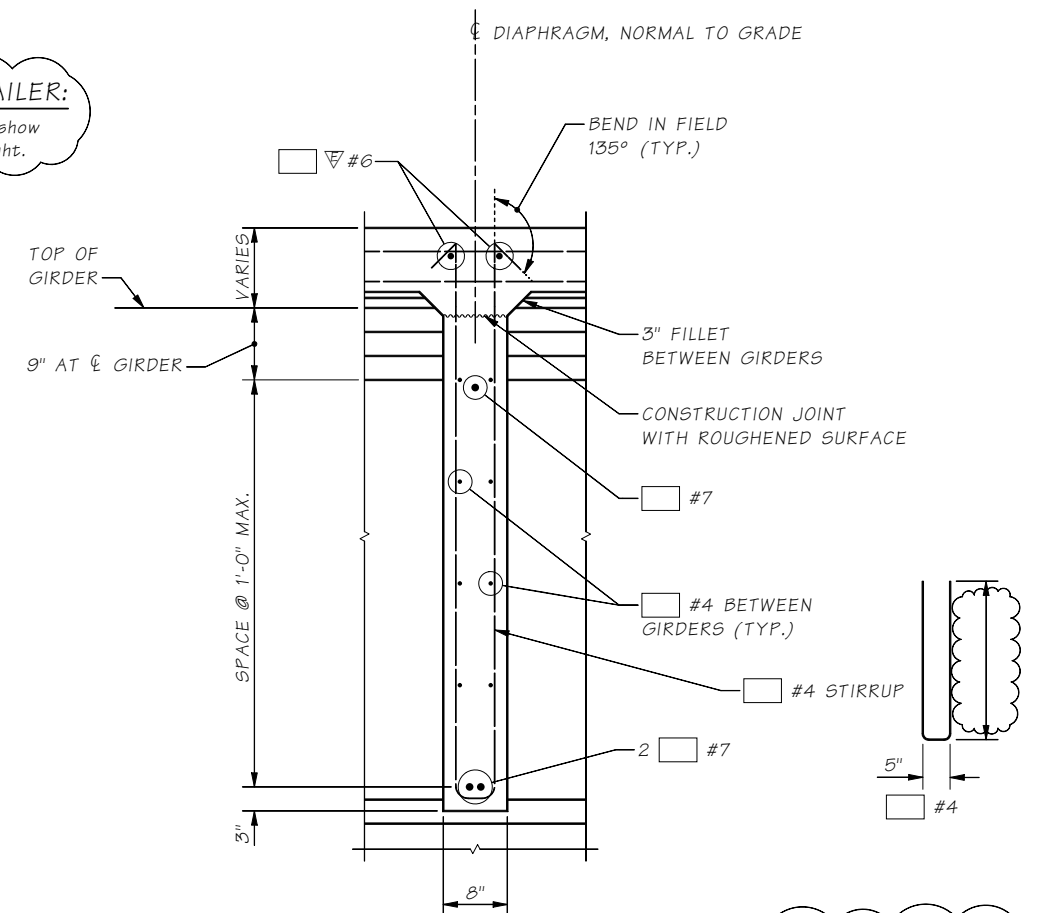
DIMENSIONS ARE ALONG DIAPHRAGM



**ANCHOR DETAIL**  
ASTM A-307

**NOTE TO DESIGNER:**  
Full depth intermediate diaphragms are required for:  
- 1-5 bridges  
- Other bridges crossing over roads of ADT > 50,000

**NOTE TO DETAILER:**  
Revise Details to show correct girder height.



**SECTION B**

**NOTE TO DESIGNER:**  
Insert appropriate dimension  
Increase for vertical curve effect if necessary.

- NOTES:**
- GIRDERS SHALL BE HELD RIGIDLY IN PLACE WHEN DIAPHRAGMS ARE PLACED.
  - IT MAY BE NECESSARY TO THREAD REINFORCING BARS THROUGH HOLES IN GIRDERS PRIOR TO PLACING EXTERIOR GIRDERS.
  - CUT/RELEASE GIRDER TEMPORARY STRANDS BEFORE CASTING DIAPHRAGM. SEE TEMPORARY STRAND CUTTING SEQUENCE.
  - LONGITUDINAL DIMENSIONS ARE NORMAL TO SKEW.
  - FOR CONCRETE PLACEMENT PROCEDURE SEE "SUPERSTRUCTURE CONSTRUCTION SEQUENCE" SHEET.

Bridge Design Engr.	M:\STANDARDS\Girders\WF\FULL INTERMEDIATE DIAPHRAGM.MAN					REGION NO.	STATE	FED. AID PROJ. NO.	SHEET NO.	TOTAL SHEETS
Supervisor						10	WASH.			
Designed By						JOB NUMBER				
Checked By										
Detailed By										
Bridge Projects Engr.										
Prelim. Plan By										
Architect/Specialist	DATE	REVISION	BY	APP'D						

Thu Mar 05 10:27:48 2015

**BRIDGE AND STRUCTURES OFFICE**



**STANDARD PRESTRESSED CONCRETE GIRDERS**  
**FULL DEPTH INTERMEDIATE DIAPHRAGM DETAILS**

BRIDGE SHEET NO.  
SHEET  
OF  
SHEETS