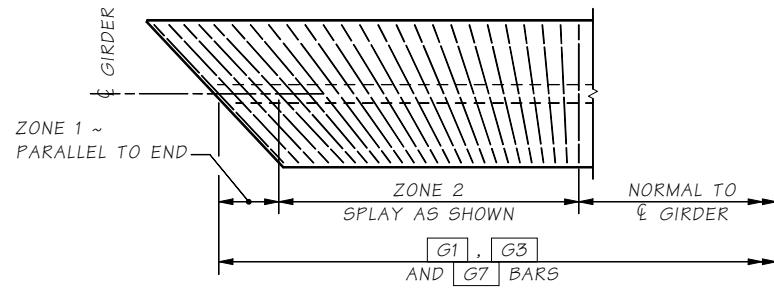


# GIRDER REINFORCEMENT NOTES

1. DEFORMED WELDED WIRE REINFORCEMENT MAY BE SUBSTITUTED FOR MILD REINFORCEMENT IN ACCORDANCE WITH STANDARD SPECIFICATION 6-02.3(25)A.

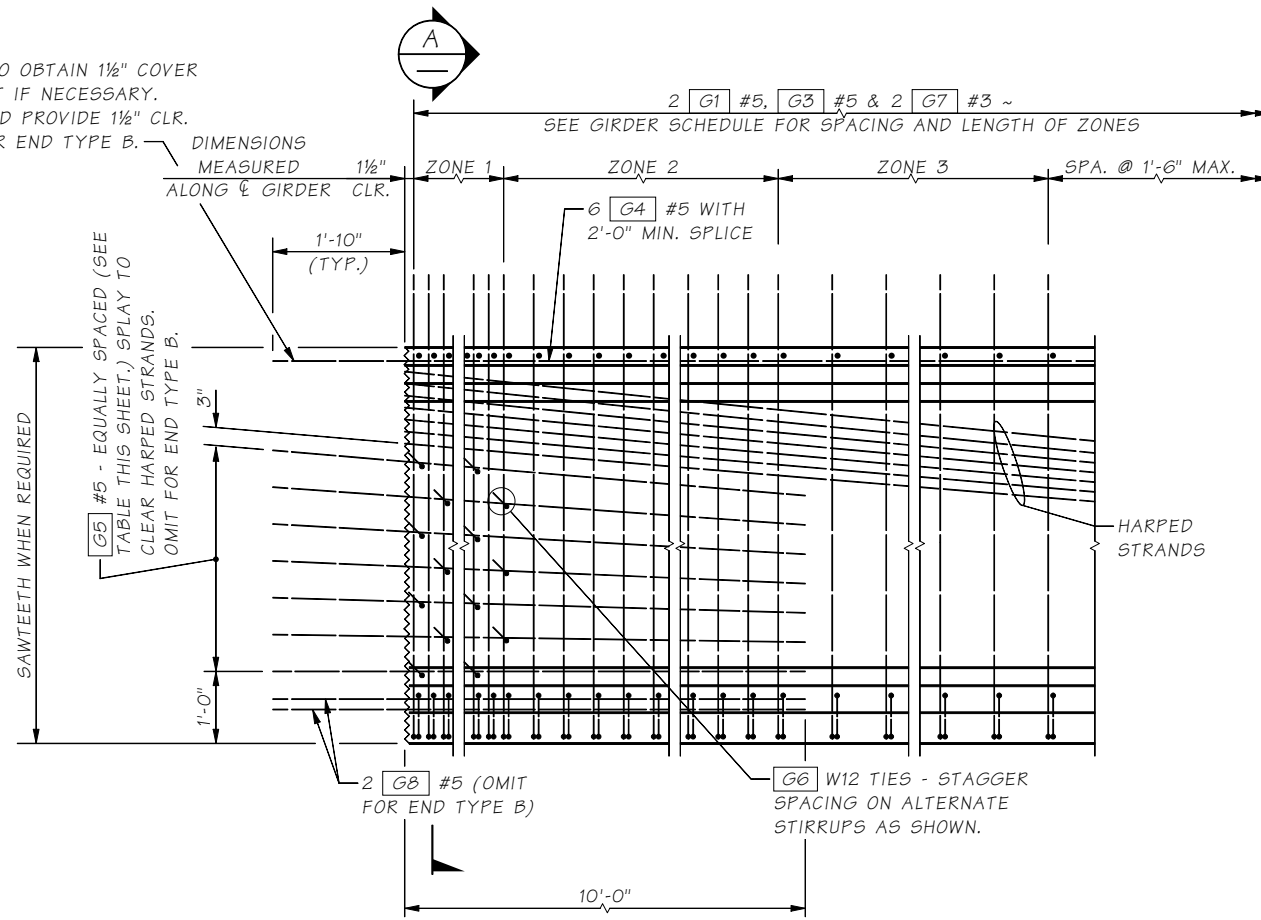
GIRDER SERIES	NO. OF [G5] BARS
WF36G	3
WF42G	4
WF50G	5
WF58G	6
WF66G	7
WF74G	7
WF83G	8
WF95G	9
WF100G	10



## PLAN TRANSVERSE REINFORCING AT SKEWED ENDS

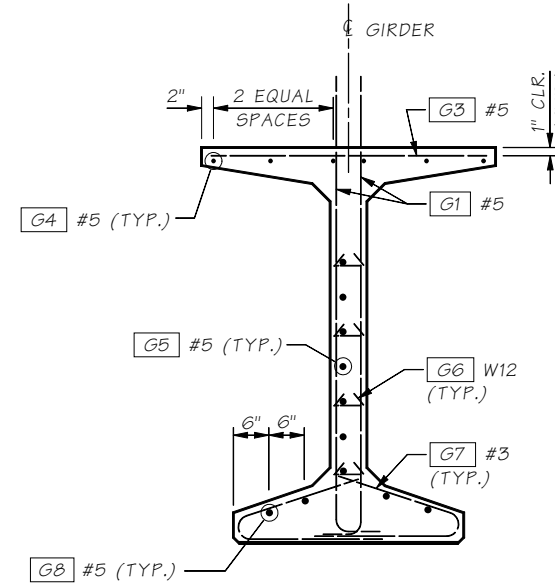
LENGTHS OF [G3] AND [G7] VARY WITH SKEW. ONLY TRANSVERSE REINFORCEMENT SHOWN.

FIELD BEND [G4] TO OBTAIN 1/2" COVER AT PAVEMENT SEAT IF NECESSARY. DO NOT EXTEND AND PROVIDE 1/2" CLR. TO GIRDER END FOR END TYPE B.



## REINFORCEMENT END ELEVATION

STRAIGHT AND TEMPORARY STRANDS NOT SHOWN FOR CLARITY. WF66G SHOWN, OTHERS SIMILAR

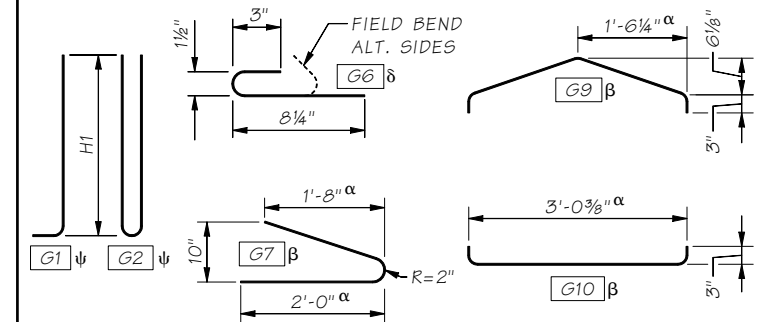


## SECTION A

STRANDS NOT SHOWN

## BENDING DIAGRAM

(ALL DIMENSIONS ARE OUT TO OUT)



$\alpha$  - VARIES FOR SKEWED ENDS.  
 $\delta$  - #3 OR #4 MAY BE SUBSTITUTED. FIELD BENDING IS OPTIONAL.  
 $\beta$  - PAIRS OF [G7] BARS, OR [G9] AND [G10] BARS, MAY BE USED INTERCHANGEABLY AS BOTTOM FLANGE TIES.  
 $\psi$  - 1 [G2] MAY BE SUBSTITUTED FOR 2 [G1] WITHIN ZONE 1.

Last revised on : 01/01/2015

SR FILE NO. SHEET NO.

5.6-A4-4

Bridge Design Engr.	M:\STANDARDS\Girders\WFWF GIRDER DETAILS 4 OF 5.MAN					REGION NO.	STATE	FED. AID PROJ. NO.	SHEET NO.	TOTAL SHEETS
Supervisor						10	WASH.			
Designed By						JOB NUMBER				
Checked By										
Detailled By										
Bridge Projects Engr.										
Prelim. Plan By										
Architect/Specialist	DATE	REVISION	BY	APP'D						

Thu Mar 05 07:54:40 2015

BRIDGE AND STRUCTURES OFFICE



STANDARD PRESTRESSED CONCRETE GIRDERS

WF GIRDER DETAILS 4 OF 5

BRIDGE SHEET NO. OF SHEETS