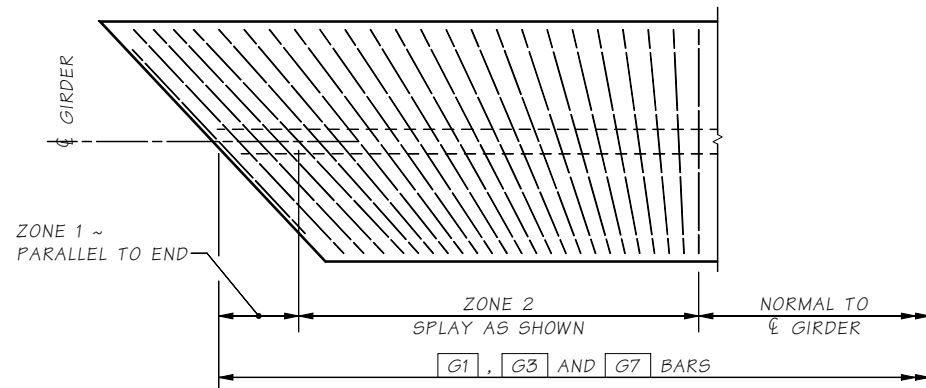


GIRDER REINFORCEMENT NOTES

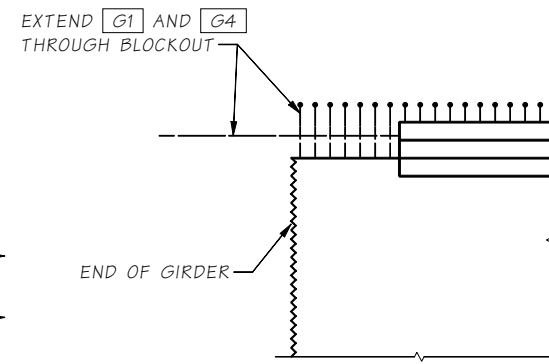
1. DEFORMED WELDED WIRE REINFORCEMENT MAY BE SUBSTITUTED FOR MILD REINFORCEMENT IN ACCORDANCE WITH STANDARD SPECIFICATION 6-02.3(25)A.

GIRDER SERIES	NO. OF [G5] BARS
WF36TDG	3
WF42TDG	4
WF50TDG	5
WF58TDG	6
WF66TDG	7
WF74TDG	7
WF83TDG	8
WF95TDG	9
WF100TDG	10

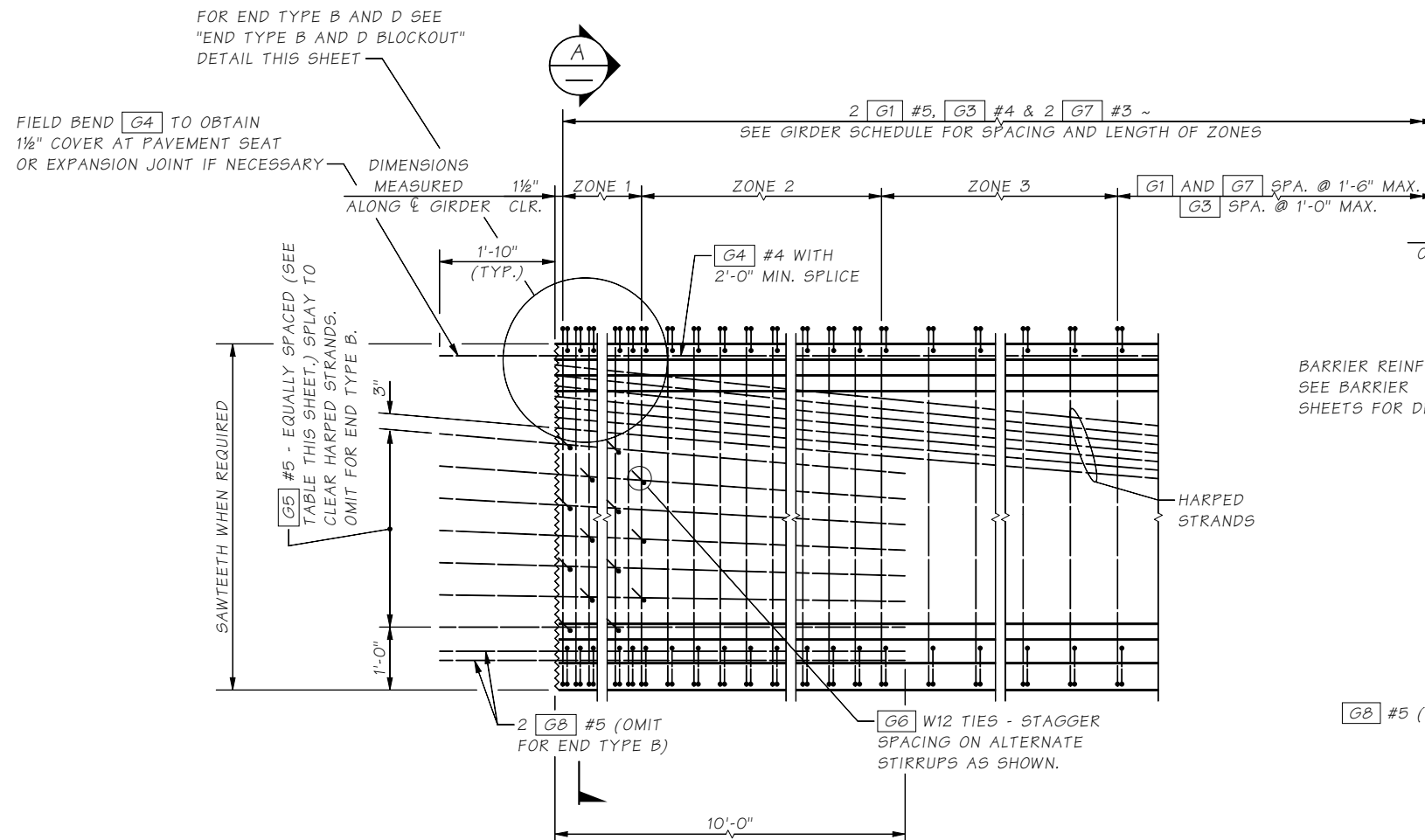


PLAN TRANSVERSE REINFORCING AT SKEWED ENDS

LENGTHS OF [G3] AND [G7] VARY WITH SKEW. ONLY TRANSVERSE REINFORCEMENT SHOWN.

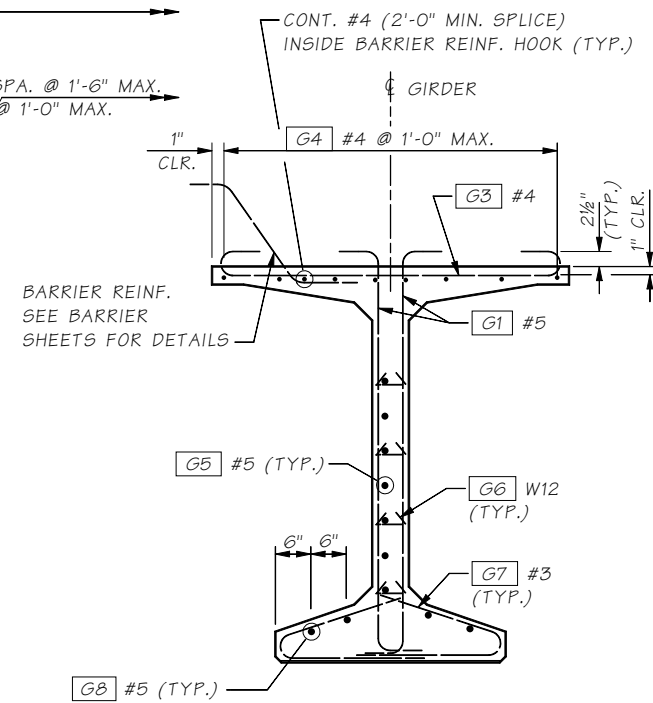


END TYPE B AND D BLOCKOUT



REINFORCEMENT END ELEVATION

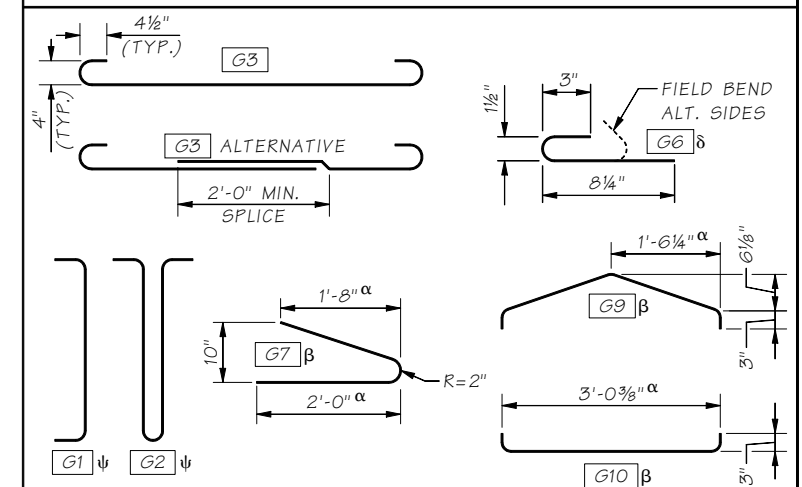
STRAIGHT AND TEMPORARY STRANDS NOT SHOWN FOR CLARITY. WF66TDG SHOWN, OTHERS SIMILAR



SECTION A
STRANDS NOT SHOWN

BENDING DIAGRAM

(ALL DIMENSIONS ARE OUT TO OUT)



α - VARIES FOR SKEWED ENDS.
 δ - #3 OR #4 MAY BE SUBSTITUTED. FIELD BENDING IS OPTIONAL.
 β - PAIRS OF [G7] BARS, OR [G9] AND [G10] BARS, MAY BE USED INTERCHANGEABLY AS BOTTOM FLANGE TIES.
 ψ - 1 [G2] MAY BE SUBSTITUTED FOR 2 [G1] WITHIN ZONE 1.

Last revised on : 01/01/2015

SR FILE NO. SHEETS

5.6-A5-4

Bridge Design Engr.	M:\STANDARDS\Girders\WFTD\WFTD GIRDER DETAILS 4 OF 5.MAN				
Supervisor		REGION NO.	STATE	FED. AID PROJ. NO.	SHEET NO.
Designed By		10	WASH.		TOTAL SHEETS
Checked By		JOB NUMBER			
Detailer					
Bridge Projects Engr.					
Prelim. Plan By					
Architect/Specialist	DATE	REVISION	BY	APP'D	

Tue Mar 10 11:56:28 2015

BRIDGE AND STRUCTURES OFFICE



STANDARD PRESTRESSED CONCRETE GIRDERS

WF THIN DECK GIRDER
DETAILS 4 OF 5

BRIDGE SHEET NO. SHEET OF SHEETS