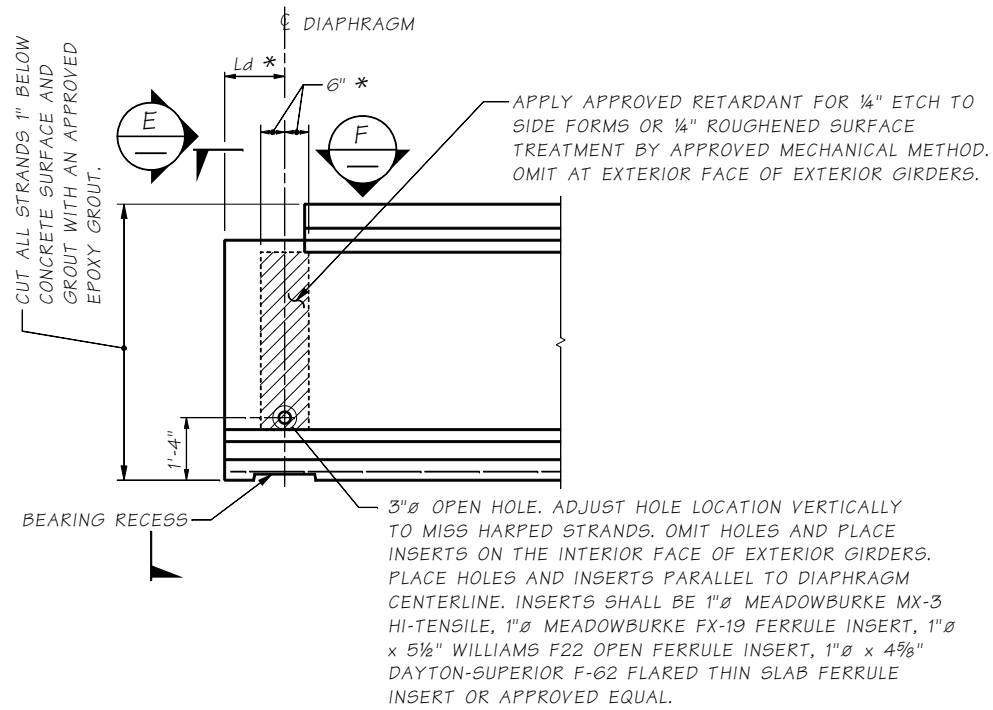


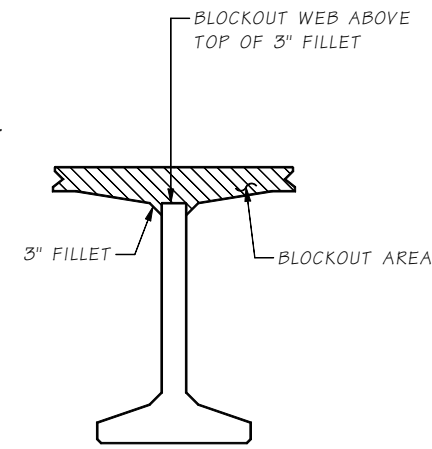
END TYPE A



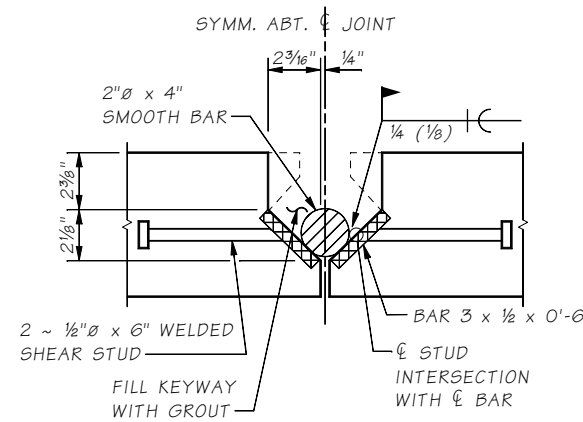
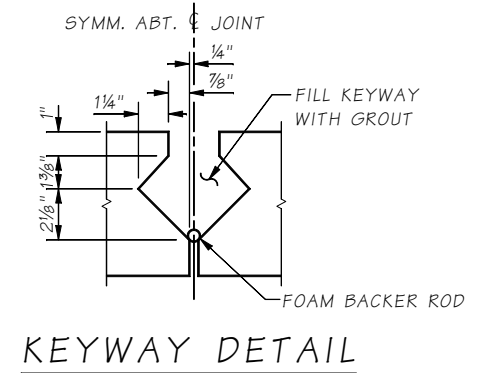
END TYPE B

* MEASURED NORMAL TO ϕ DIAPHRAGM

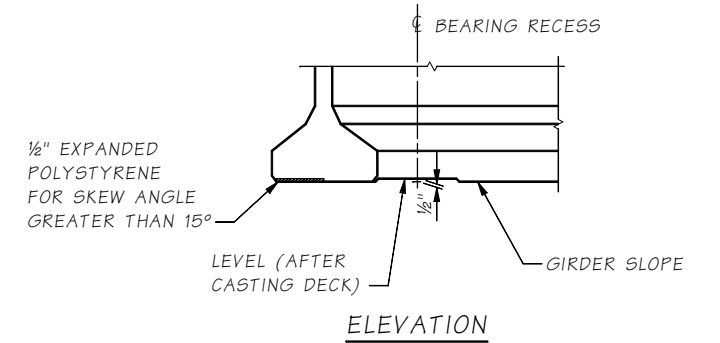
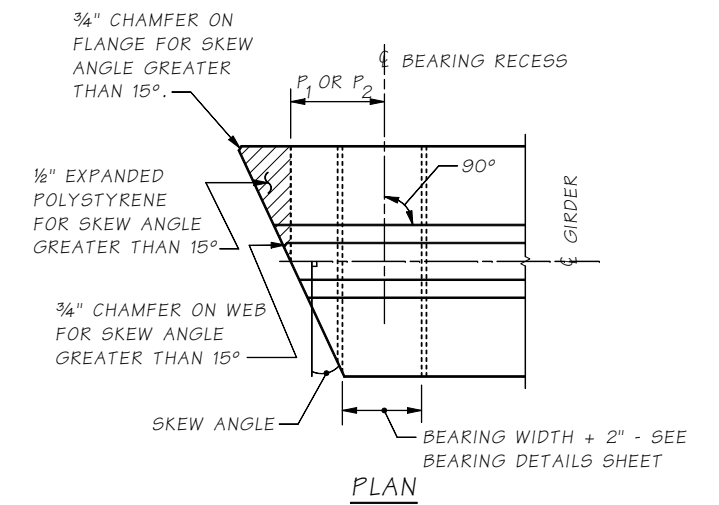
** STRAND CHUCK TACK WELDED TO ASTM A36 \bar{E} 1/2 x 4 x 0'-4 WITH 3/4" ϕ HOLE PRIOR TO INSTALLING ON STRAND, ASTM A108 2 3/4" ϕ x 1 1/8" STEEL STRAND ANCHOR, OR APPROVED EQUAL (TYP.). VERIFY STRAND GRIPS ARE SEATED TIGHTLY IMMEDIATELY BEFORE PLACING DIAPHRAGM CONCRETE. SECURELY TIE ANCHOR TO THE REBAR CAGE TO PREVENT DISPLACEMENT DURING CONCRETE PLACEMENT.



VIEW E

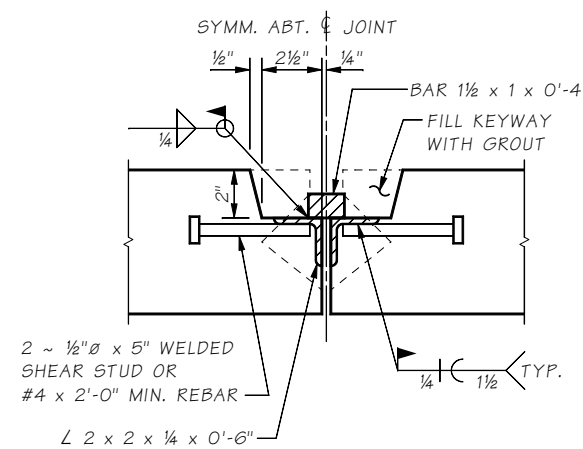


WELD TIE DETAIL

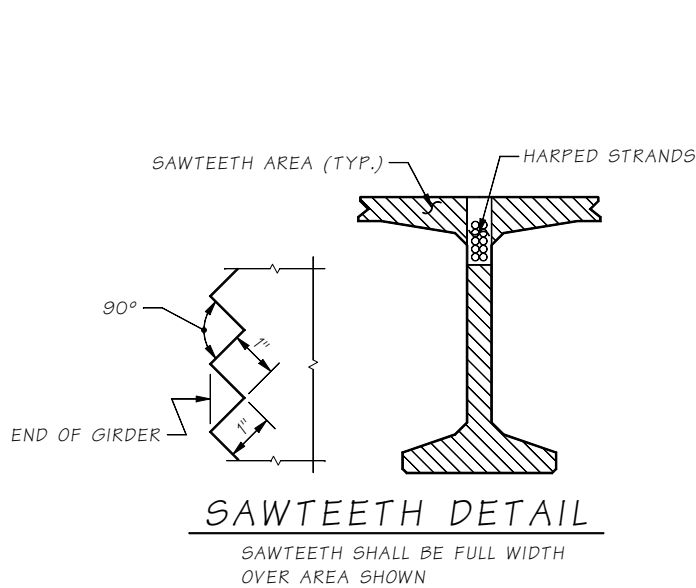


BEARING RECESS AND BOTTOM FLANGE SPALL PROTECTION DETAIL

BEARING RECESS FORMS SHALL BE CONSTRUCTED AND FASTENED TO AVOID GIRDER DAMAGE DURING STRAND RELEASE.



ALT. WELD TIE DETAIL



VIEW F

Last revised on : 04/07/2016

SR FILE NO. SHEET

5.6-A6-3

Bridge Design Engr.	M:\STANDARDS\Girders\WFDG\WFDG GIRDER DETAILS 3 OF 4.MAN				REGION NO.	STATE	FED. AID PROJ. NO.	SHEET NO.	TOTAL SHEETS
Supervisor					10	WASH			
Designed By									
Checked By									
Detailed By									
Bridge Projects Engr.									
Prelim. Plan By									
Architect/Specialist	DATE	REVISION	BY	APPD					

BRIDGE AND STRUCTURES OFFICE



STANDARD PRESTRESSED CONCRETE GIRDERS

WF DECK GIRDER DETAILS 3 OF 4

BRIDGE SHEET NO. SHEET OF SHEETS