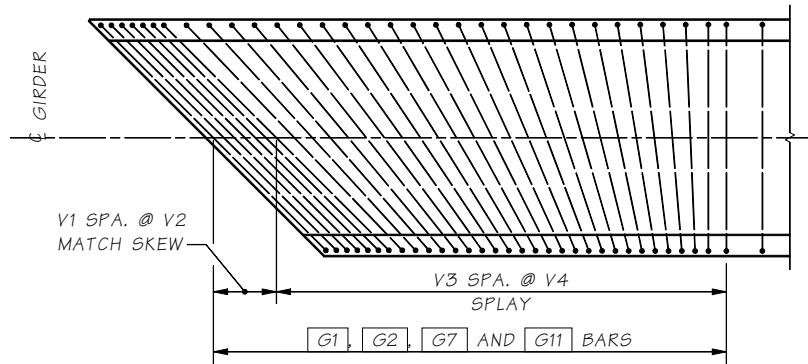


END 1 END 2

GIRDER SCHEDULE LEGEND

L_L AND L_t ARE SHIPPING SUPPORT LOCATIONS AT LEADING AND TRAILING ENDS, RESPECTIVELY.

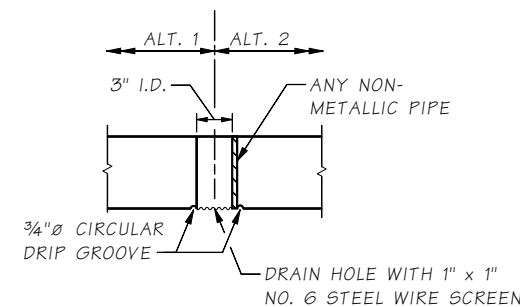
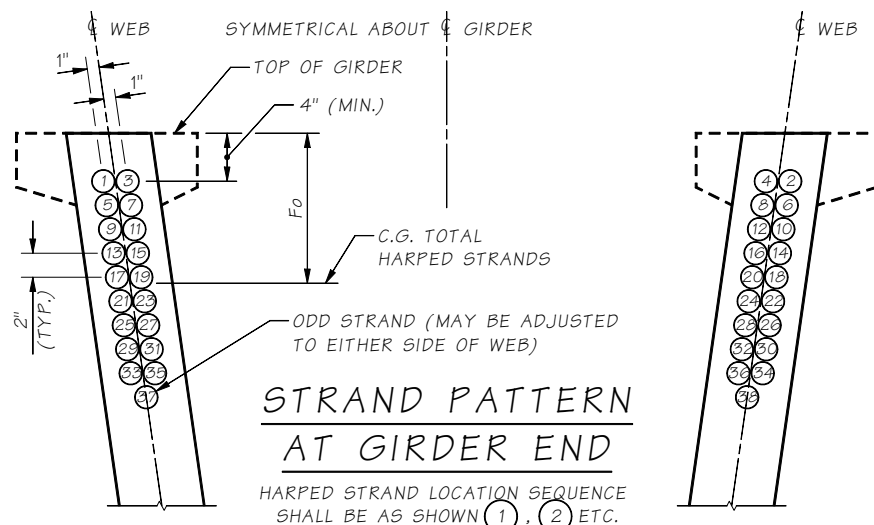
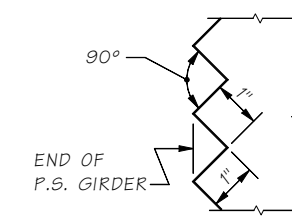


TRANSVERSE REINFORCING SKEWED ENDS

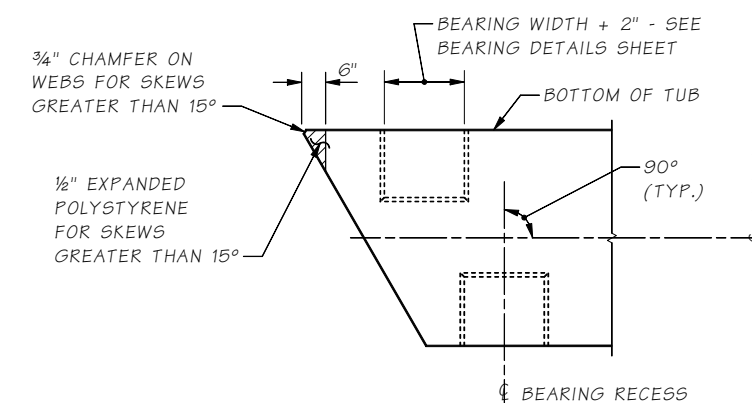
LENGTH OF G₁ AND G₇ VARY WITH SKEW. ONLY TRANSVERSE REINFORCEMENT SHOWN.

SAWTOOTH DETAILS

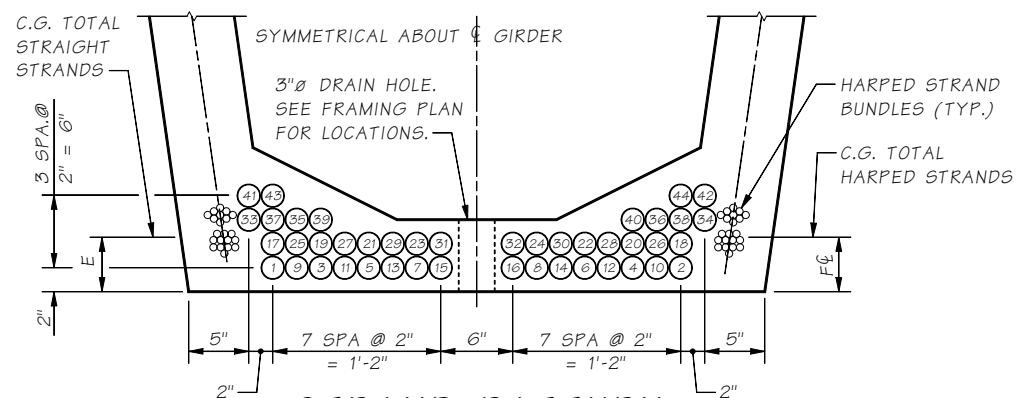
SAWTEETH ARE FULL WIDTH - USE SAWTOOTH KEYS FROM BOTTOM OF BOTTOM FLANGE TO BOTTOM OF LOWEST HARPED STRAND AS WELL AS TOP FLANGE ADJACENT TO HARPED STRANDS.



BOTTOM SLAB DRAIN HOLE DETAIL



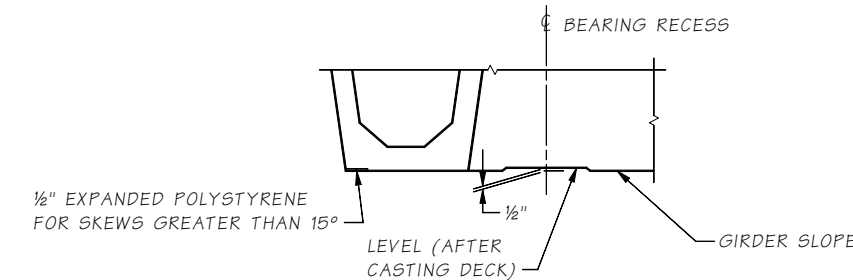
PLAN



STRAND CHUCK TACK WELDED TO ASTM A36 PL 1/2 x 4 x 0'-4 WITH 3/4" Ø HOLE PRIOR TO INSTALLING ON STRAND OR 2 3/4" Ø x 1 1/8" STEEL STRAND ANCHOR (TYP.)

STRAND EXTENSION DETAIL

ANCHOR STRAND WITH TWO PIECE WEDGES BEFORE GIRDER ERECTION. VERIFY WEDGES ARE SEATED TIGHTLY IMMEDIATELY BEFORE PLACING DIAPHRAGM CONCRETE.



ELEVATION

BEARING RECESS AND BOTTOM FLANGE SPALL PROTECTION DETAIL

Last revised on : 7/8/2011

SHEET NO. 5.0-A9-3

Bridge Design Engr.	M:\STANDARDS\Girders\Trapezoidal Tubs\TUB GIRDER DETAILS 2 OF 3.MAN	REGION NO.	STATE	FED. AID PROJ. NO.	SHEET NO.	TOTAL SHEETS
Supervisor		10	WASH.			
Designed By		JOB NUMBER				
Checked By						
Detailed By						
Bridge Projects Engr.						
Prelim. Plan By						
Architect/Specialist	DATE	REVISION	BY	APP'D		

BRIDGE AND STRUCTURES OFFICE



STANDARD PRESTRESSED CONCRETE GIRDERS

TUB GIRDER DETAILS 2 OF 3

BRIDGE SHEET NO. OF SHEETS