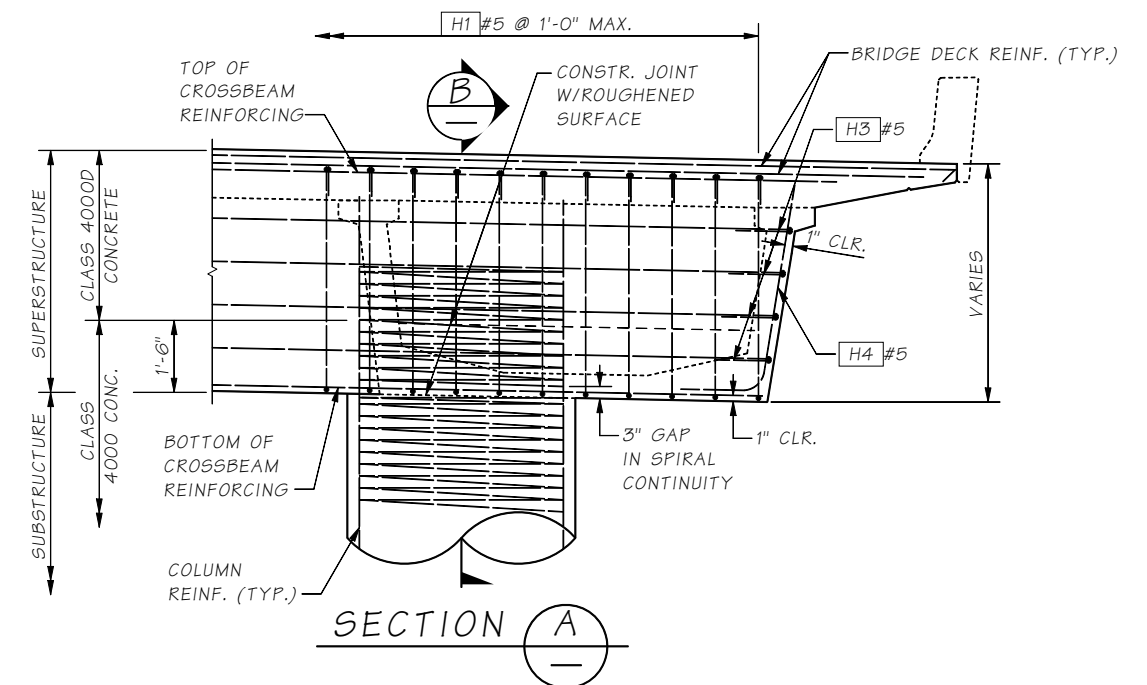


SKEWED

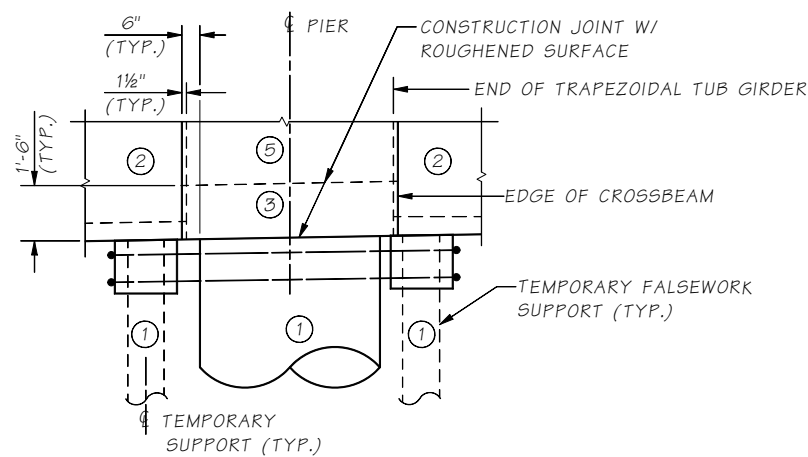
PLAN

NO SKEW

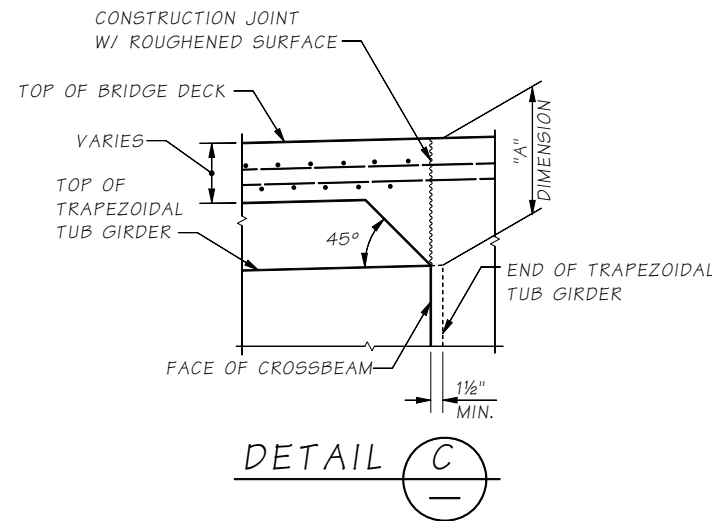
FOR EXTENDED STRAND DETAIL SEE GIRDER SHEET 3.



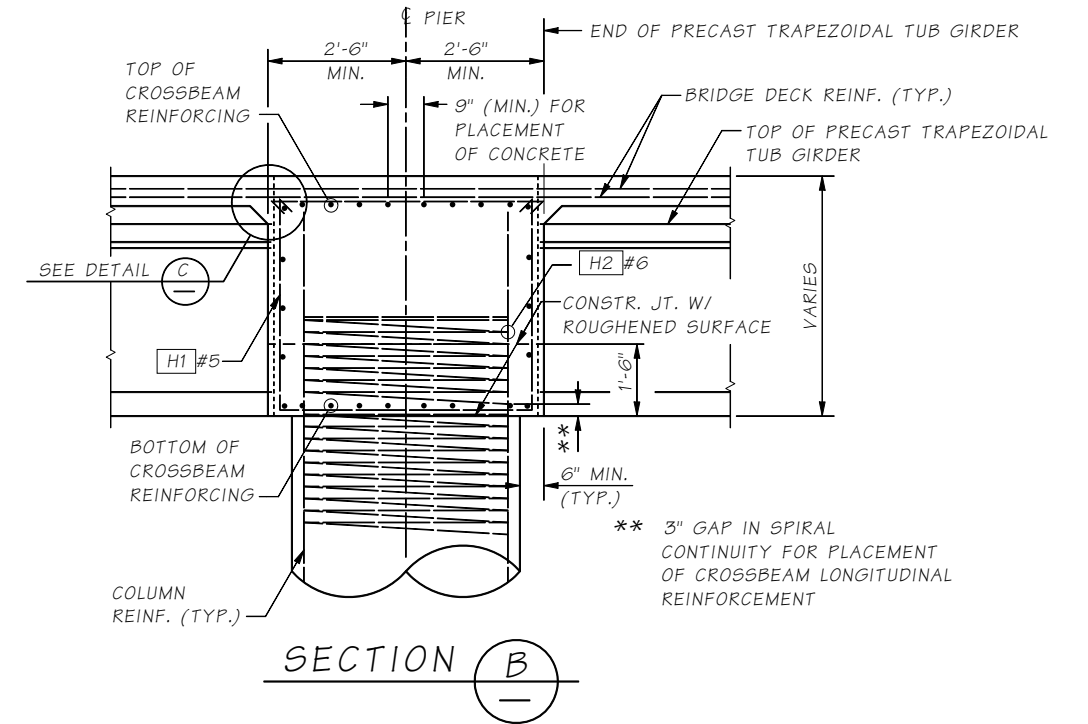
SECTION A



TEMPORARY SUPPORT DETAIL



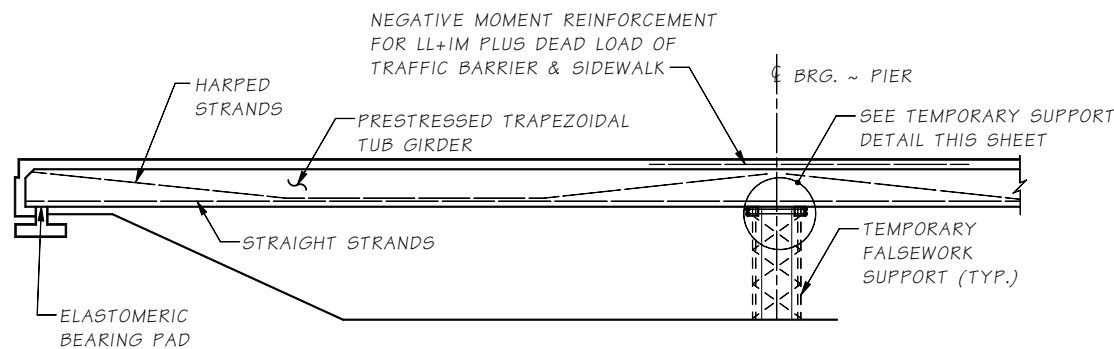
DETAIL C



SECTION B

CONSTRUCTION SEQUENCE

- 1 COLUMN & TEMP. SUPPORT
- 2 PLACE GIRDER ON TEMPORARY SUPPORT
- 3 CAST DIAPHRAGM STAGE 1
- 4 CAST ROADWAY SLAB
- 5 COMPLETE DIAPHRAGM
- 6 REMOVE TEMPORARY SUPPORT



ELEVATION

Bridge Design Engr.	M:\STANDARDS\Girders\PT Trapezoidal Tubs\SIP PT TRAPEZOIDAL TUB RAISED CROSSBEAM.MAN	REGION NO.	STATE	FED. AID PROJ. NO.	SHEET NO.	TOTAL SHEETS
Supervisor		10	WASH			
Designed By		JOB NUMBER				
Checked By						
Detailed By						
Bridge Projects Engr.						
Prelim. Plan By						
Architect/Specialist		DATE	REVISION	BY	APP'D	

BRIDGE AND STRUCTURES OFFICE



STANDARD PRESTRESSED CONCRETE GIRDERS  
TRAPEZOIDAL TUB S-I-P DECK PANEL GIRDER - RAISED CROSSBEAM DETAILS

BRIDGE SHEET NO.  
SHEET  
OF  
SHEETS

5.9-AS-7

SR JOB NO. SHEET