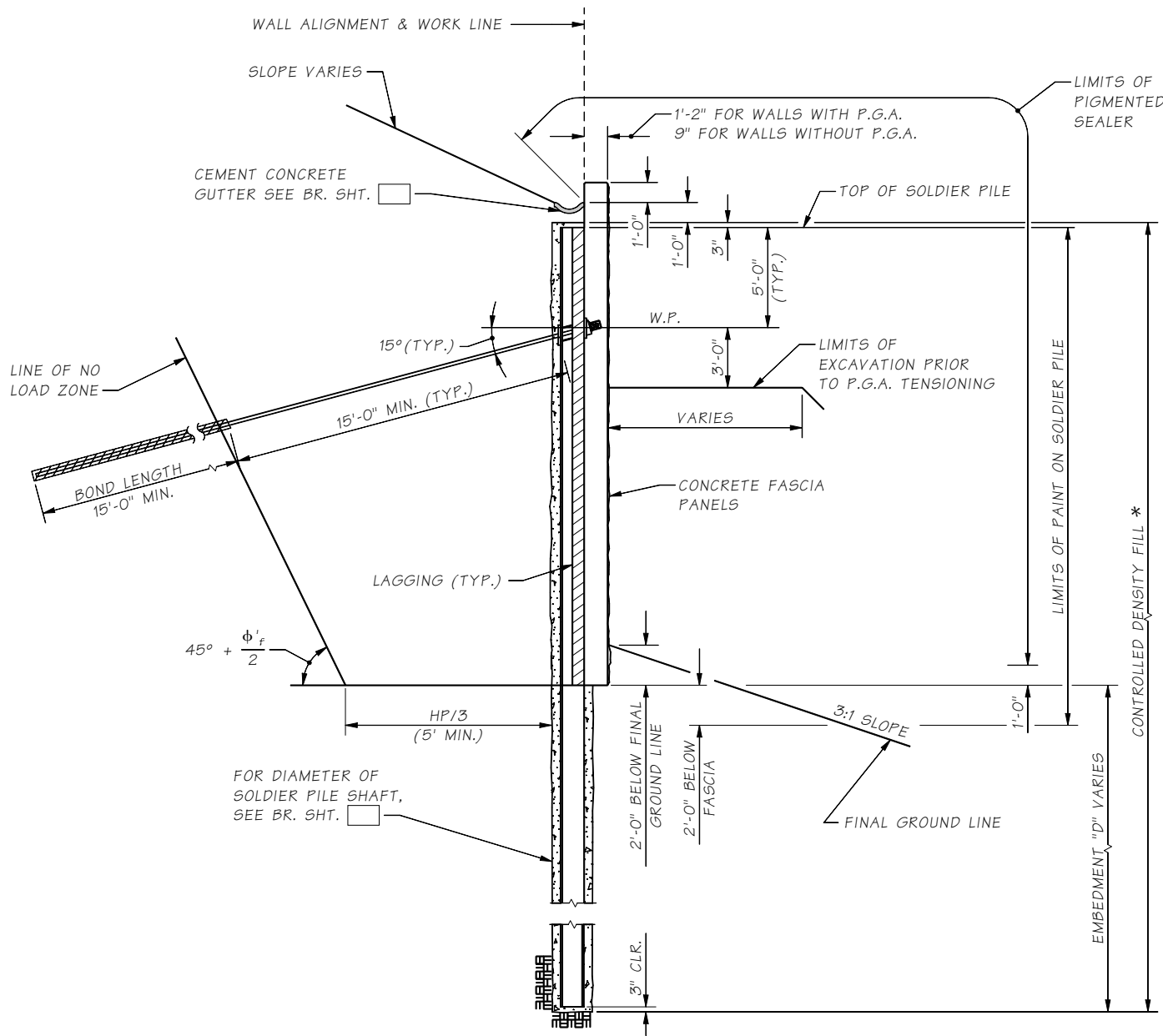


Last revised on : 2/26/2013

SHEET NO. 8.1-A3-2



TYPICAL SECTION

SHOWN FOR SOLDIER PILE WITH P.G.A. SIMILAR FOR SOLDIER PILE WITHOUT P.G.A.

P.G.A.= PERMANENT GROUND ANCHOR

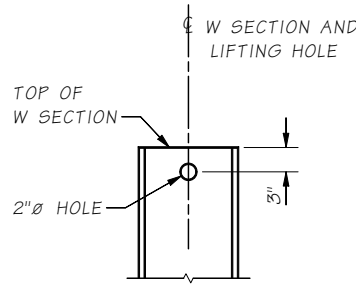
LAGGING SYSTEM SHALL BE DESIGNED BY THE CONTRACTOR AND SUBMITTED TO THE ENGINEER FOR APPROVAL IN ACCORDANCE WITH THE STANDARD SPECIFICATION SECTION 6-16.3(6).

* USE CONTROLLED DENSITY FILL WHEN PLACED IN THE DRY. USE PUMPABLE LEAN CONCRETE WHEN PLACED IN THE WET.

Note to Designer:

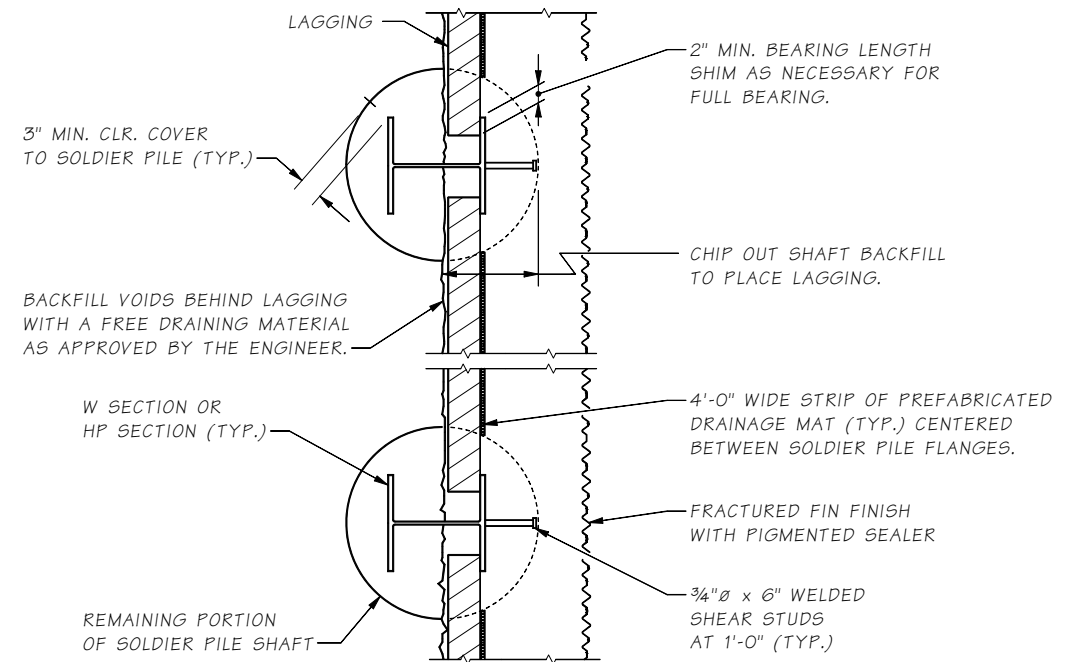
For walls with P.G.A. use a section size with a flange width bigger than or equal to HP12x53 or W12x65

LAGGING IN SERVICE LESS THAN 36 MONTHS

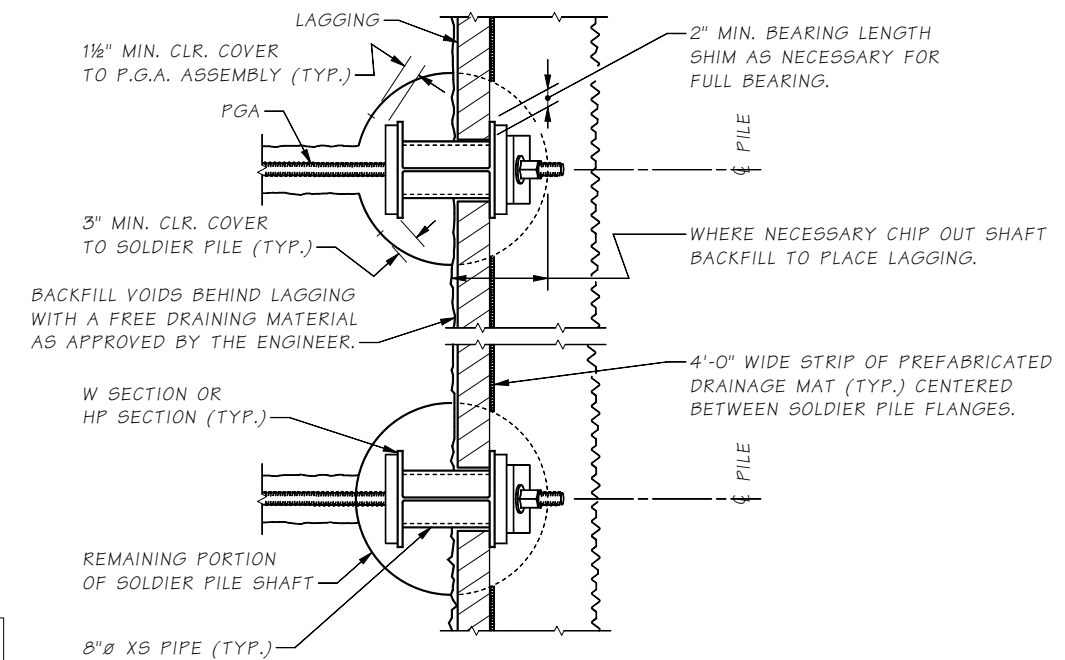


SOLDIER PILE LIFTING HOLE

LIFTING HOLE TO BE DRILLED IN THE SHOP PRIOR TO PAINTING THE PILE.



PLAN SOLDIER PILE WALL WITHOUT P. G. A.



PLAN SOLDIER PILE WALL WITH P. G. A.

Bridge Design Engr.	M:\STANDARDS\Wall\SOLDIER TIEBACK DETAILS A.MAN						
Supervisor			REGION NO.	STATE	FED. AID PROJ. NO.	SHEET NO.	TOTAL SHEETS
Designed By			10	WASH.			
Checked By			JOB NUMBER				
Detailed By							
Bridge Projects Engr.							
Prelim. Plan By							
Architect/Specialist	DATE	REVISION	BY	APP'D			

BRIDGE AND STRUCTURES OFFICE



SOLDIER PILE/TIEBACK WALL
DETAILS 1 OF 3

BRIDGE SHEET NO.
SHEET
OF
SHEETS