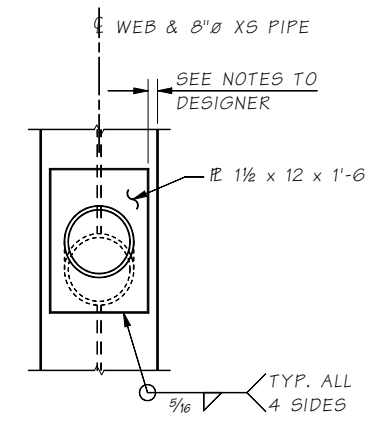
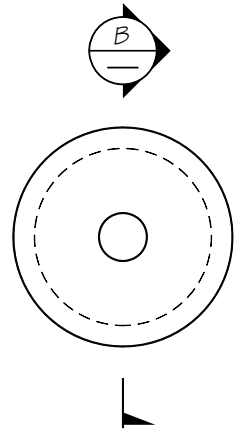


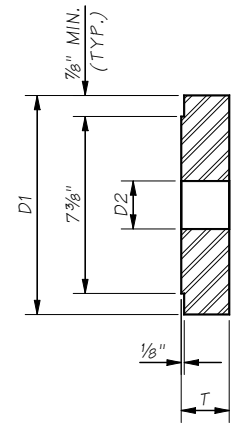
ELEVATION - SOLDIER PILE
WITH P.G.A. THRU WEB



VIEW A



BEARING PLATE
BEARING PLATE SHALL BE DESIGNED BY THE CONTRACTOR AND SUBMITTED TO THE ENGINEER FOR APPROVAL IN ACCORDANCE WITH THE STANDARD SPECIFICATION SECTION 6-17.3(5).



SECTION B

Notes to Designer:

- Plates must be checked for size and welds. Plates are used to replace flange steel removed for pipe installation.
- Weld must be checked along web to pipe and plate to flange. welds must be capable of transferring PGA loads and flexural loads.
- For walls with P.G.A. use a section size with a flange width bigger than or equal to HP12x53 or W12x65.

Last revised on : 6/25/2015

JOB NO. 8.1-A3-4
SHEET

Bridge Design Engr.	M:\STANDARDS\Wall\SOLDIER TIEBACK DETAILS 2.MAN							REGION NO.	STATE	FED. AID PROJ. NO.	SHEET NO.	TOTAL SHEETS
Supervisor							10	WASH.				
Designed By							JOB NUMBER					
Checked By												
Detailed By												
Bridge Projects Engr.												
Prelim. Plan By												
Architect/Specialist	DATE	REVISION	BY	APP'D								

**BRIDGE
AND
STRUCTURES
OFFICE**



SOLDIER PILE/TIEBACK WALL
DETAILS 3 OF 3