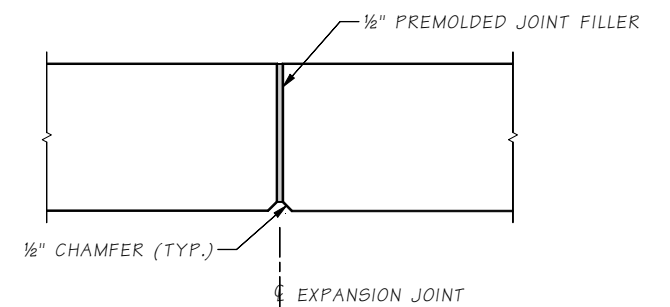
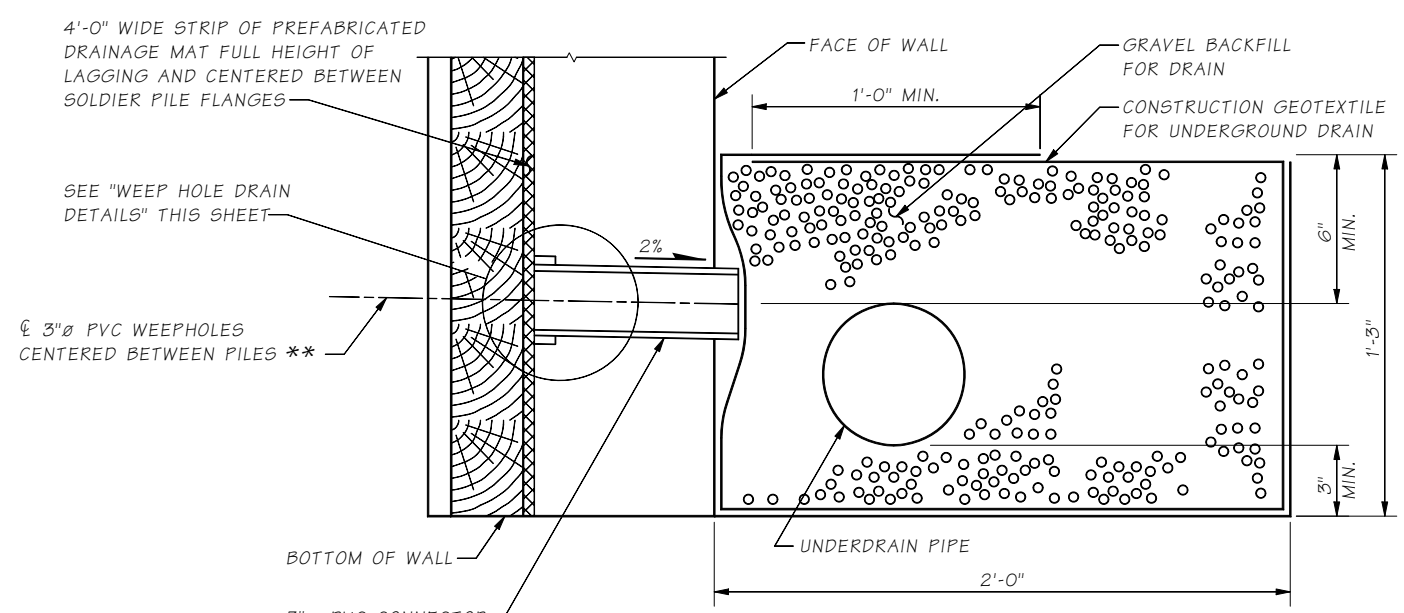


WEEP HOLE DRAIN DETAILS

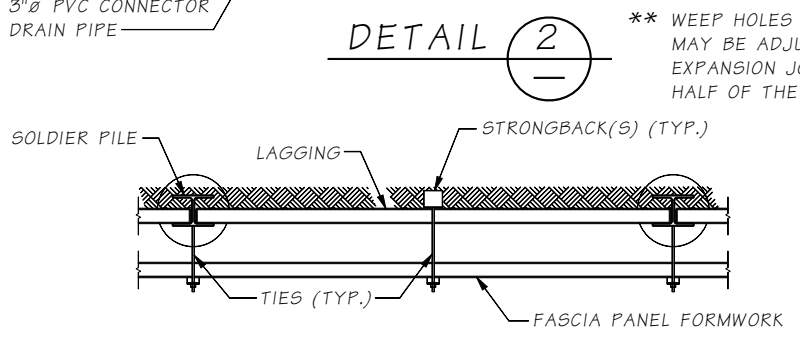
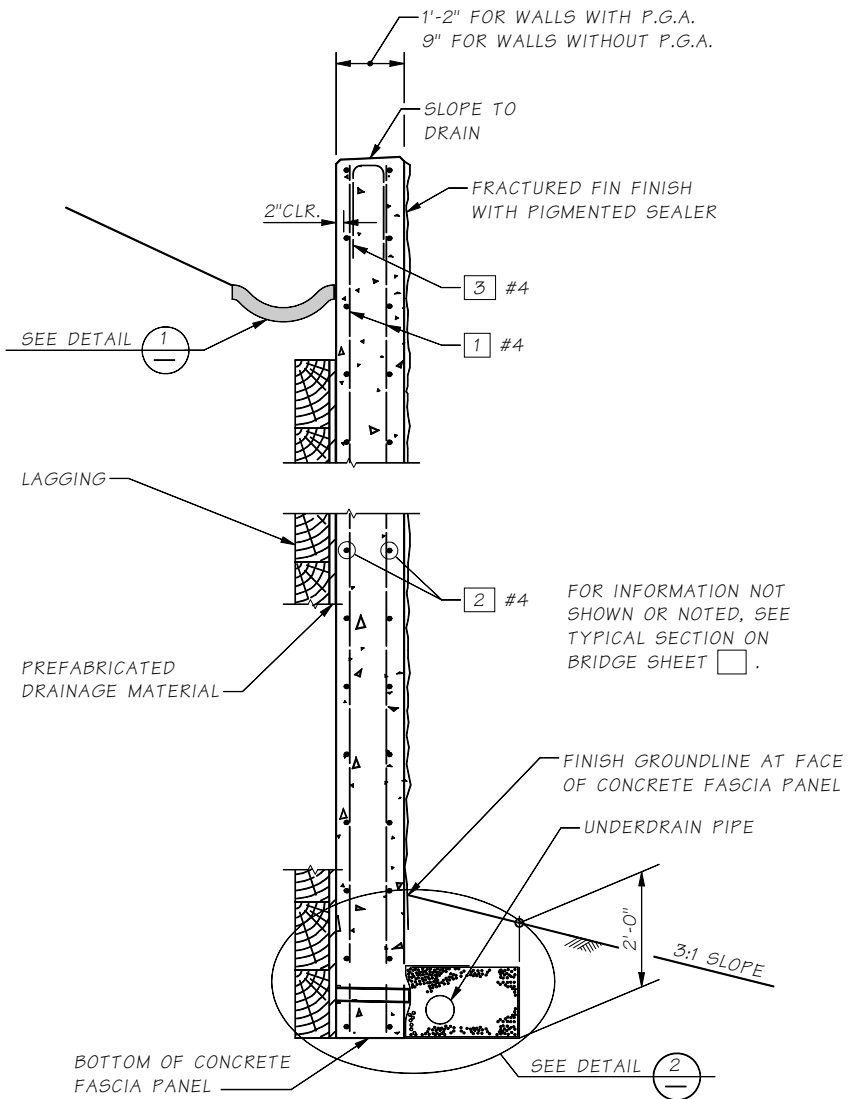
DRAIN GRATE INSTALLATION SHALL NOT DISRUPT PREFABRICATED DRAINAGE MAT

PARTIAL WALL ELEVATION



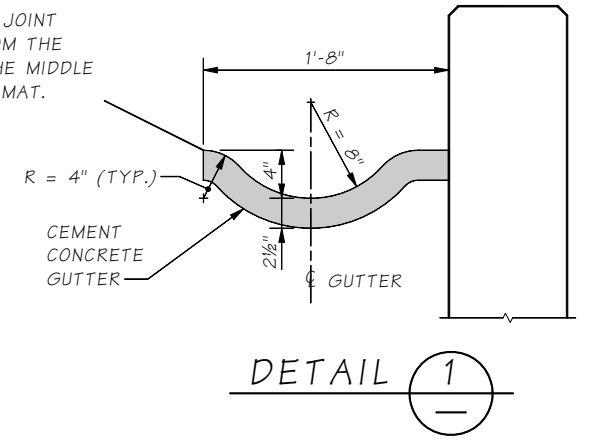
EXPANSION JOINT DETAIL

NOTE: EXPANSION JOINTS SHALL BE LOCATED AS SHOWN ON BRIDGE SHEET []



TYPICAL FASCIA PANEL FORMWORK

- SEE SECTION 6-16.3(2) FOR FASCIA PANEL FORMING REQUIREMENTS.
- STRONGBACK(S) AND TIES SPACED AS REQUIRED FOR FORMING.



Last revised on : 2/26/2013

SHEETS NO. 8.1-A3-5

Bridge Design Engr.	M:\STANDARDS\Wall\SOLDIER TIEBACK FASCIA.MAN							
Supervisor				REGION NO.	STATE	FED. AID PROJ. NO.	SHEET NO.	TOTAL SHEETS
Designed By				10	WASH.			
Checked By				JOB NUMBER				
Detailed By								
Bridge Projects Engr.								
Prelim. Plan By								
Architect/Specialist	DATE	REVISION	BY	APP'D				

BRIDGE AND STRUCTURES OFFICE		BRIDGE SHEET NO.
		SHEET OF SHEETS
SOLDIER PILE/TIEBACK WALL FASCIA PANEL DETAILS		