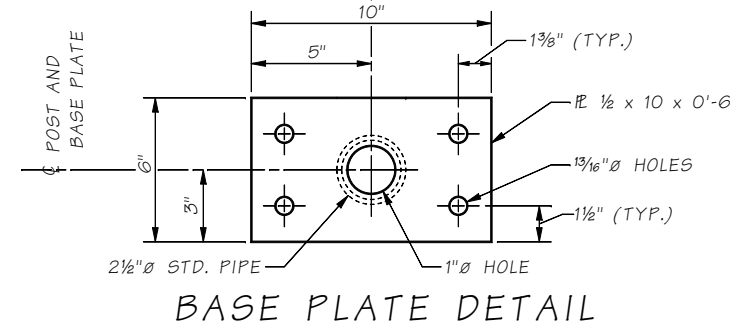
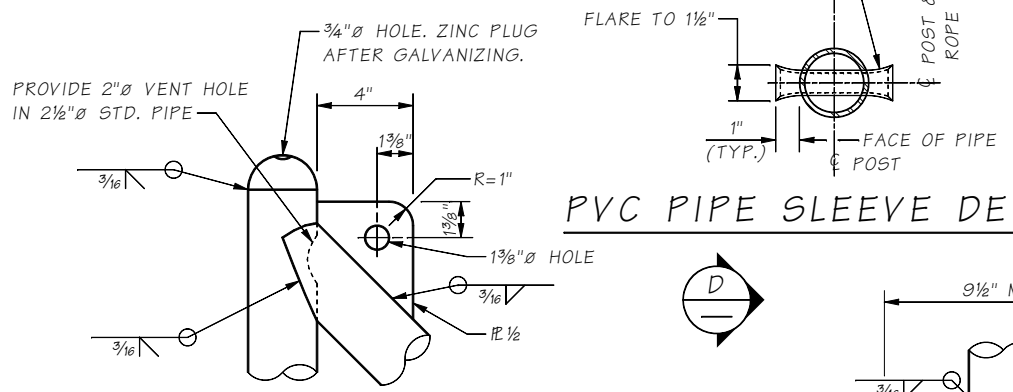


**ELEVATION  
CABLE FENCE**

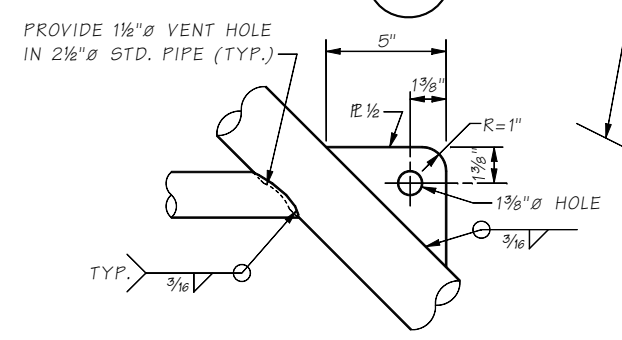
- \* ANGLES VARY WITH THE SLOPE OF THE TOP OF WALL. APPROX. 45° WHEN INSTALLED ON A LEVEL SURFACE.
- \*\* MEASURED PERPENDICULAR TO THE POSTS.
- \*\*\* OMIT INTERMEDIATE POST WHEN SPACING BETWEEN END POST AND INTERMEDIATE BRACE IS LESS THAN 8'-6".



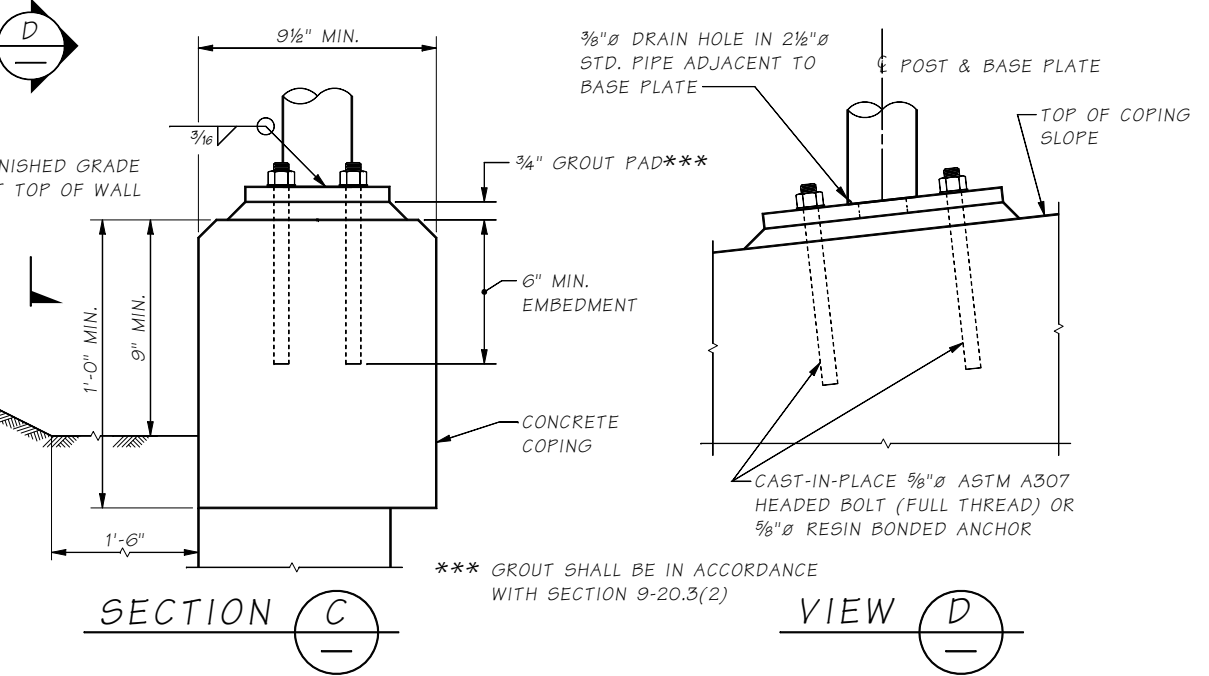
**PVC PIPE SLEEVE DETAIL**



**DETAIL 1**



**DETAIL 2**



**SECTION C**

**VIEW D**

**NOTES:**

1. ALL STEEL PIPE SHALL BE ASTM A53 GRADE B, TYPE E OR S, OR EQUIVALENT HSS ROUND TUBE ASTM A 500 GRADE B
2. ALL STEEL PLATE SHALL BE ASTM A 36 OR ASTM A 572.
3. ROPE SHALL CONSIST OF ZINC-COATED WIRES CONFORMING TO ASTM A 603, OR ASTM A 1023 WITH A PRESTRETCHED MODULUS OF ELASTICITY OF 15,000 KSI, OR "PHILLYSTRAN" ROPE.
4. ALL PARTS EXCEPT ROPE SHALL BE HOT DIP GALVANIZED IN ACCORDANCE WITH AASHTO M111, M232, OR ASTM F2329 AFTER FABRICATION, UNLESS NOTED OTHERWISE.
5. THE SPELTER SOCKETS AND SOCKETING PROCEDURE SHALL BE IN ACCORDANCE WITH THE SPELTER SOCKET AND ROPE MANUFACTURERS RECOMMENDATIONS.
6. ALL POSTS TO BE INSTALLED VERTICAL AND ROPE TO BE INSTALLED PARALLEL TO TOP OF WALL.
7. ROPE SHALL BE INSTALLED TO 400 LBS TENSION LEAVING A TAKE UP OF 6" STILL AVAILABLE IN THE TURNBUCKLE. THE CONTRACTOR SHALL SUBMIT CABLE TENSIONING DETAILS TO THE ENGINEER FOR ACCEPTANCE.
8. EACH CONTINUOUS LENGTH OF CABLE SHALL HAVE A TURNBUCKLE AT ONE END ONLY AND BE ANCHORED TO END POST WITH BRACE AT BOTH ENDS.
9. INTERMEDIATE POSTS AND BRACES SHALL NOT TO BE INSTALLED ACROSS EXPANSION JOINT.
10. CABLE FENCE WAS DESIGNED FOR A 200 LB. LOAD ON THE TOP RAIL APPLIED IN ANY DIRECTION, AS REQUIRED BY WASHINGTON ADMINISTRATIVE CODE 296-155-24615.
11. ROPE, SPELTER SOCKETS, TURNBUCKLES AND THEIR CONNECTIONS SHALL HAVE A MINIMUM BREAKING STRENGTH OF 26 KIPS.

LAST REVISED: 2-6-18

SR JOB NO. SHEET

8.1-A6-2

Bridge Design Engr.	M:\STANDARDS\Wall\CABLE RAILING TOP MOUNTED.MAN	REGION NO.	STATE	FED. AID PROJ. NO.	SHEET NO.	TOTAL SHEETS
Supervisor		10	WASH.			
Designed By		JOB NUMBER				
Checked By						
Detailed By						
Bridge Projects Engr.						
Prelim. Plan By						
Architect/Specialist	DATE	REVISION	BY	APP'D		

**BRIDGE  
AND  
STRUCTURES  
OFFICE**



BRIDGE SHEET NO.	
SHEET	
OF	
SHEETS	

CABLE FENCE - TOP MOUNT