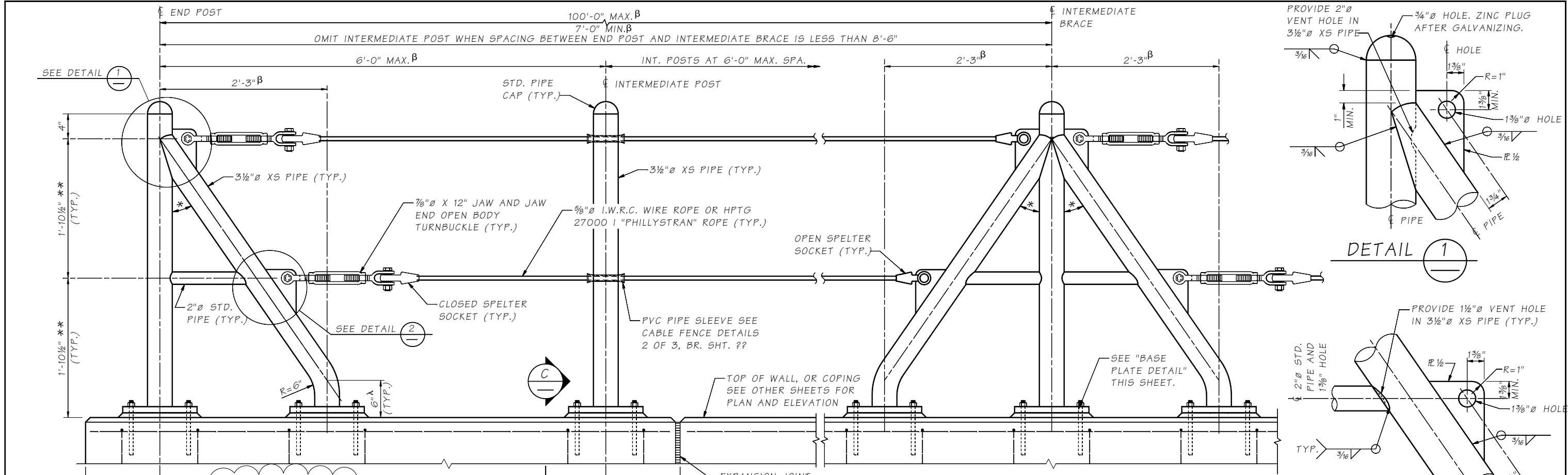


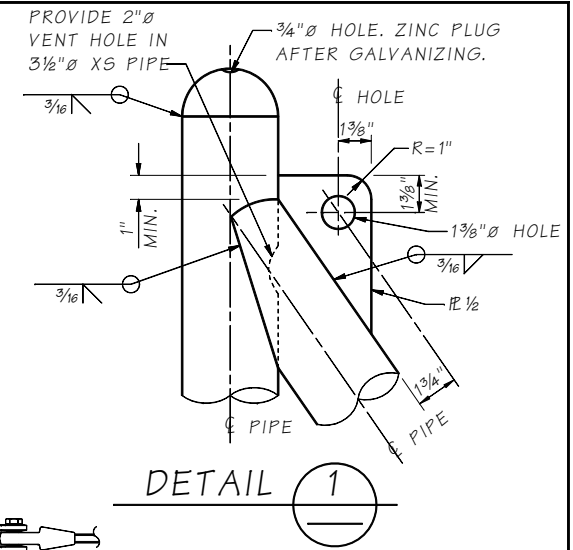
LAST REVISED: 2/6/18

SR JOB NO. SHEET
8-1-A-6-1-18

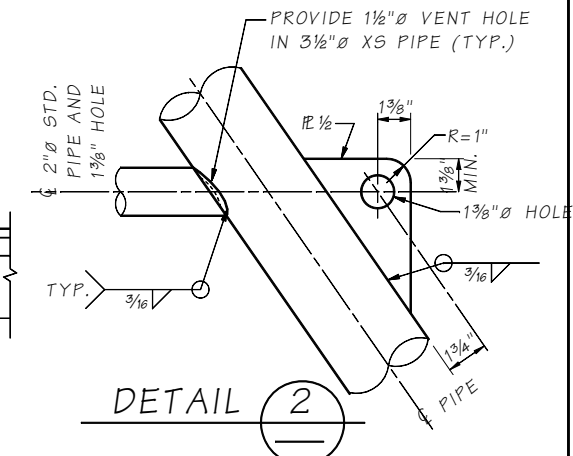


ELEVATION - CABLE FENCE

- * ANGLES VARY WITH THE SLOPE OF THE TOP OF WALL.
- ** MEASURED PARALLEL TO THE POSTS.
- λ MEASURED PERPENDICULAR TO THE TOP OF THE WALL.
- β MEASURED PARALLEL TO THE SLOPE OF THE TOP OF THE WALL.



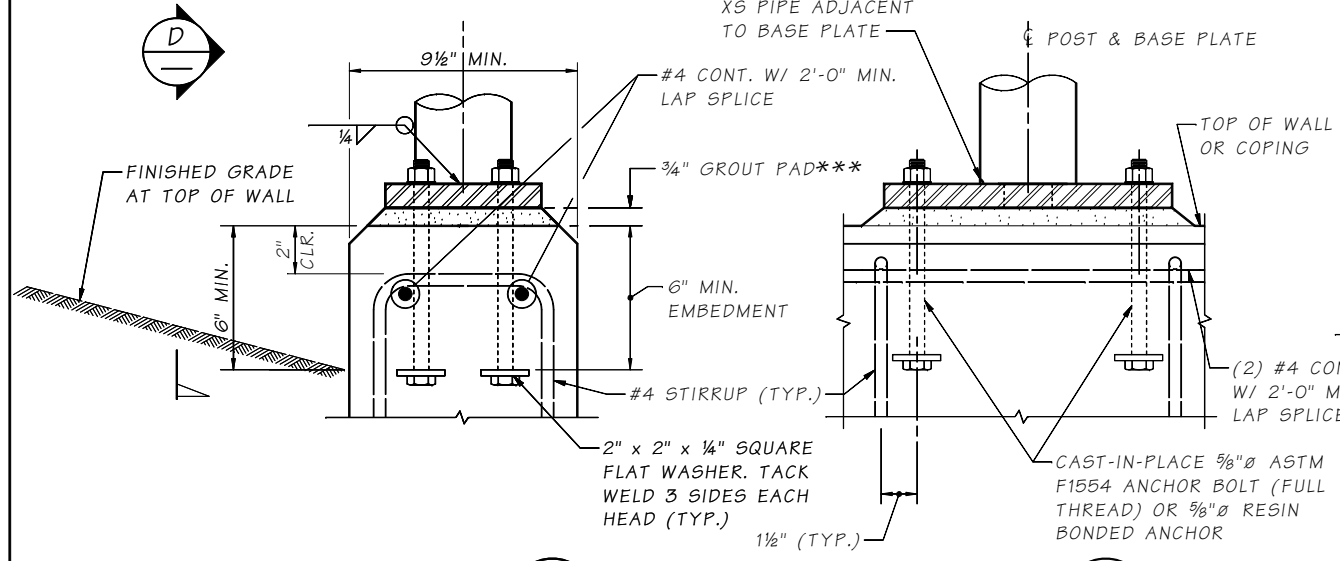
DETAIL 1



DETAIL 2

NOTES:

1. ALL STEEL PIPE SHALL BE ASTM A53 GRADE B, TYPE E OR S, OR EQUIVALENT HSS ROUND TUBE ASTM A500 GRADE B.
2. ALL STEEL PLATES SHALL BE ASTM A36 OR ASTM A572.
3. WIRE ROPE SHALL CONSIST OF ZINC-COATED WIRES CONFORMING TO ASTM A 603, OR ASTM A 1023 WITH A PRESTRETCHED MODULUS OF ELASTICITY OF 15,000 KSI, OR "PHILLYSTRAN" ROPE.
4. ALL PARTS EXCEPT ROPE SHALL BE HOT DIP GALVANIZED IN ACCORDANCE WITH AASHTO M111, M232, OR ASTM F2329 AFTER FABRICATION, UNLESS NOTED OTHERWISE.
5. THE SPELTER SOCKETS AND SOCKETING PROCEDURE SHALL BE IN ACCORDANCE WITH THE SPELTER SOCKET AND ROPE MANUFACTURERS RECOMMENDATIONS.
6. ALL POSTS SHALL BE INSTALLED VERTICAL. ROPE SHALL BE INSTALLED PARALLEL TO TOP OF WALL.
7. ROPE SHALL BE INSTALLED TO 400 LBS TENSION LEAVING A TAKE UP OF 6" STILL AVAILABLE IN THE TURNBUCKLE. THE CONTRACTOR SHALL SUBMIT CABLE TENSIONING DETAILS TO THE ENGINEER FOR ACCEPTANCE.
8. EACH CONTINUOUS LENGTH OF CABLE SHALL HAVE A TURNBUCKLE AT ONE END ONLY AND SHALL BE ANCHORED TO THE END POST OR INTERMEDIATE BRACE.
9. INTERMEDIATE, END POSTS, AND INTERMEDIATE BRACE SHALL NOT BE INSTALLED ACROSS AN EXPANSION JOINT.
10. CABLE FENCE WAS DESIGNED FOR A 200 LB. SERVICE LOAD ON THE TOP RAIL APPLIED IN ANY DIRECTION, IN ACCORDANCE WITH THE WASHINGTON ADMINISTRATIVE CODE 296-155-24615.
11. ROPE, SPELTER SOCKETS, TURNBUCKLES AND THEIR CONNECTIONS SHALL HAVE A MINIMUM BREAKING STRENGTH OF 26 KIPS.
12. SUPPLEMENTAL REQUIREMENTS S2, S3 AND S4 OF ASTM F1554 NEED NOT BE MET FOR THE ANCHOR BOLTS.
13. REINFORCEMENT SHOWN IS FOR ANCHOR BOLT CONNECTION ONLY. CONTRACTOR TO DESIGN ADDITIONAL REINFORCEMENT REQUIRED FOR COPING OR TOP OF WALL.



SECTION C

VIEW D

BASE PLATE DETAIL

*** GROUT SHALL BE IN ACCORDANCE WITH SECTION 9-20.3 (2)

Bridge Design Engr.	M:\STANDARDS\Walls\CABLE FENCE ON HORIZONTAL SURFACE.MAN	REGION NO.	STATE	FED. AID PROJ. NO.	SHEET NO.	TOTAL SHEETS
Supervisor		10	WASH.			
Designed By		JOB NUMBER				
Checked By						
Detailed By						
Bridge Projects Engr.						
Prelim. Plan By						
Architect/Specialist	DATE	REVISION	BY	APPD		

BRIDGE AND STRUCTURES OFFICE



BRIDGE SHEET NO.
SHEET
OF
SHEETS