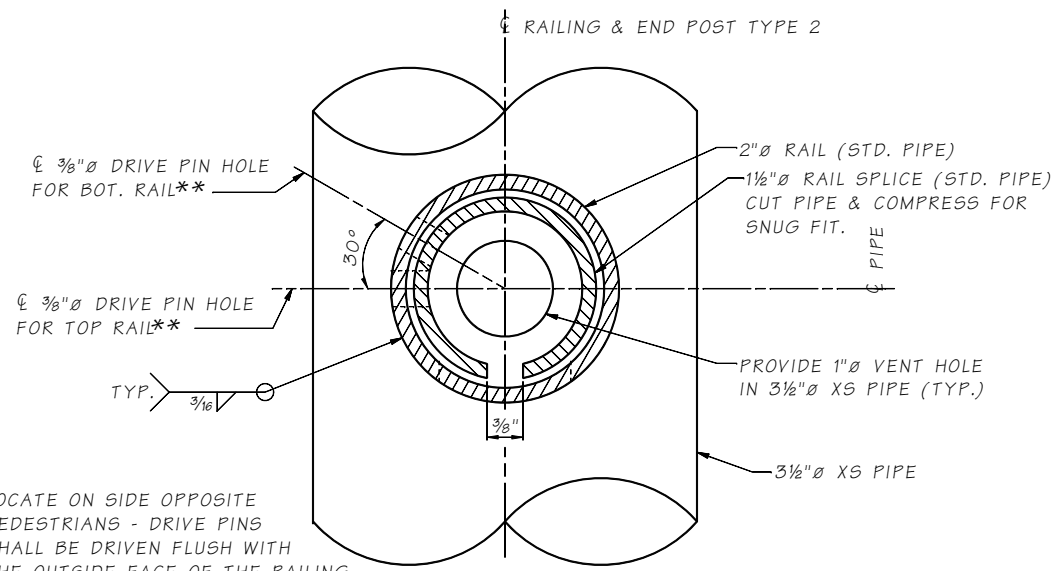


DRIVE PIN DETAIL
SLOTTED TYPE SPRING PIN (ANSI B18.8.2)
ASTM A 276 TYPE 302 STAINLESS STEEL

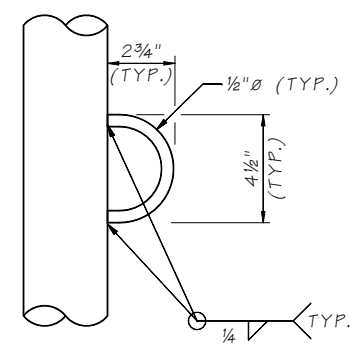
NOTES:

1. PIPE RAILING, POSTS AND, PIPE RAILING SPLICE PIECES SHALL BE ADEQUATELY WRAPPED TO ENSURE PROTECTION DURING HANDLING AND TRANSPORTATION TO THE JOB SITE.

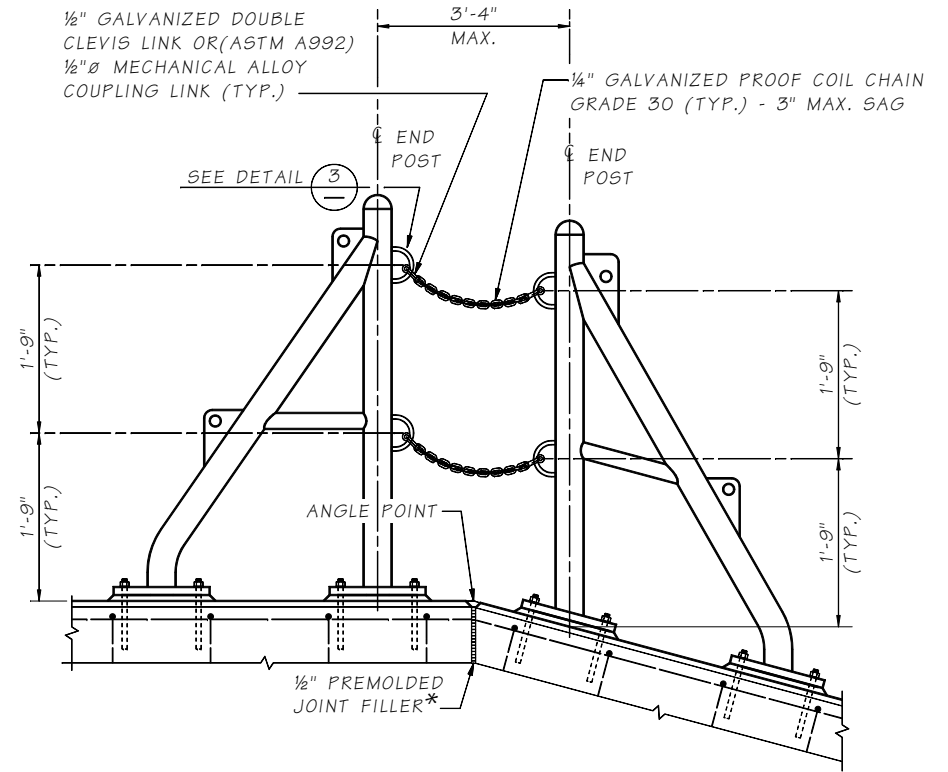
** LOCATE ON SIDE OPPOSITE PEDESTRIANS - DRIVE PINS SHALL BE DRIVEN FLUSH WITH THE OUTSIDE FACE OF THE RAILING. (2 PER SPLICE)



SECTION C

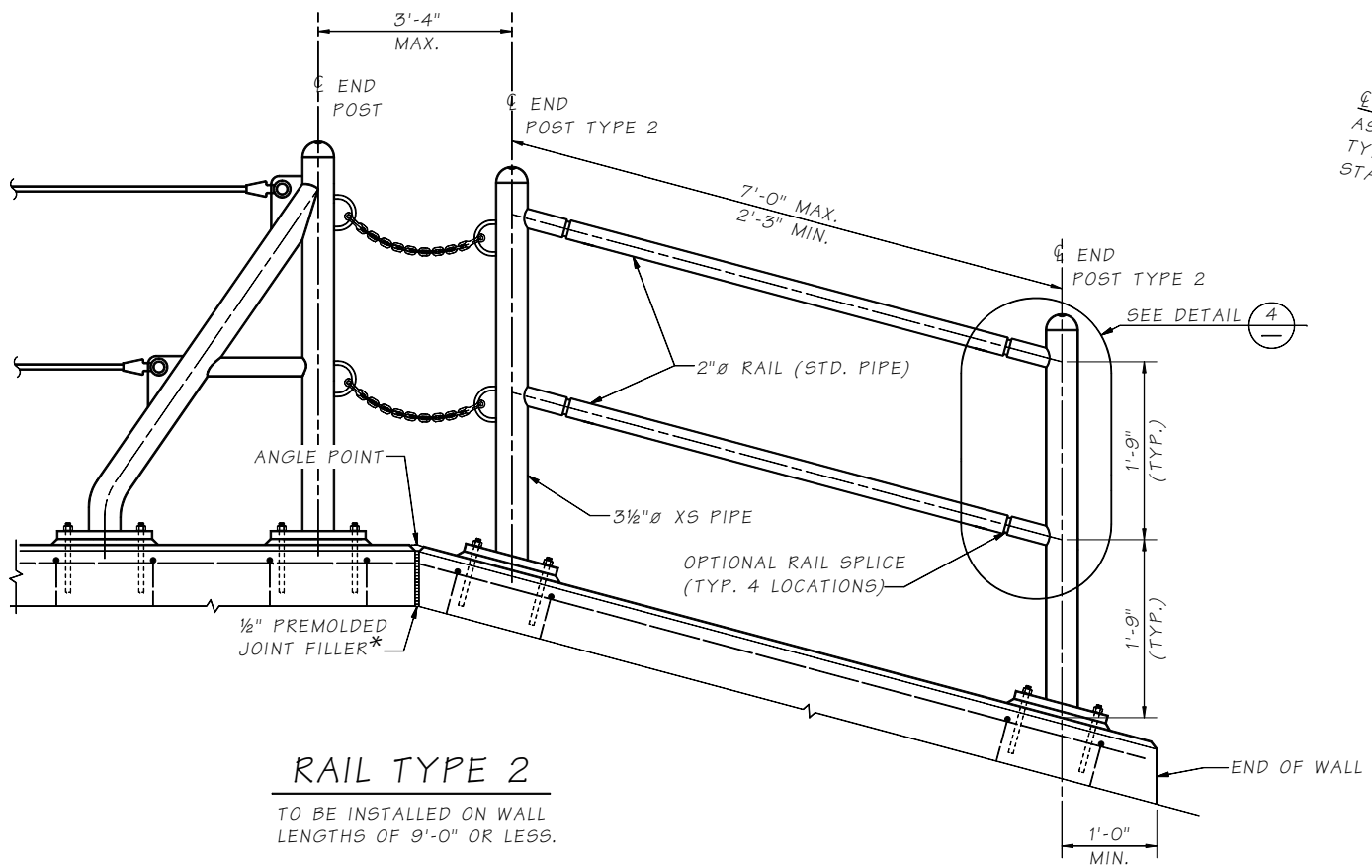


DETAIL 3
RETAINER LOOP

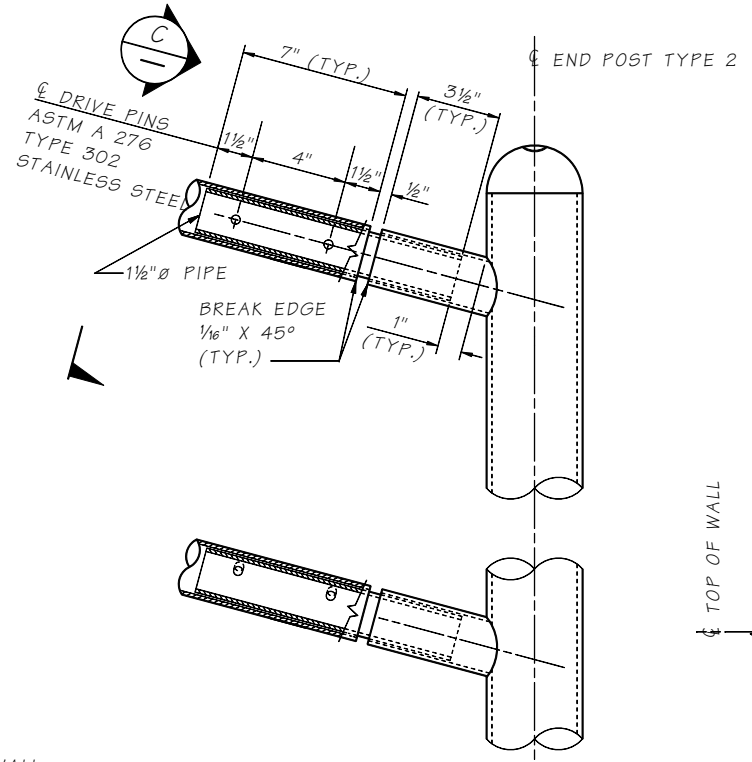


CHAIN CONNECTION ELEVATION

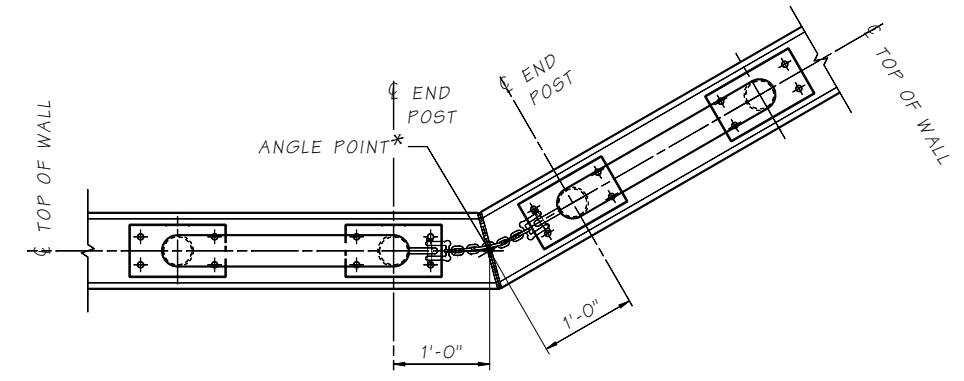
TO BE INSTALLED ACROSS WALL ANGLE POINTS, BOTH VERTICAL AND HORIZONTAL.
* SEE CONTRACT PLANS FOR JOINT LOCATIONS. (WIRE ROPE AND SPelter SOCKETS NOT SHOWN FOR CLARITY)



RAIL TYPE 2
TO BE INSTALLED ON WALL LENGTHS OF 9'-0" OR LESS.



DETAIL 4
OPTIONAL RAIL SPLICE



CHAIN CONNECTION PLAN
ROPE NOT SHOWN FOR CLARITY

LAST REVISED: 2-6-18

SHEET

SR JOB NO. 81-09-18

Bridge Design Engr.	M:\STANDARDS\Walls\CABLE FENCE MISCELLANEOUS DETAILS.MAN					REGION NO.	STATE	FED. AID PROJ. NO.	SHEET NO.	TOTAL SHEETS
Supervisor						10	WASH.			
Designed By						JOB NUMBER				
Checked By										
Detailed By										
Bridge Projects Engr.										
Prelim. Plan By										
Architect/Specialist	DATE	REVISION	BY	APPD						

BRIDGE AND STRUCTURES OFFICE



CABLE FENCE DETAILS
3 OF 3

BRIDGE SHEET NO.
SHEET
OF
SHEETS