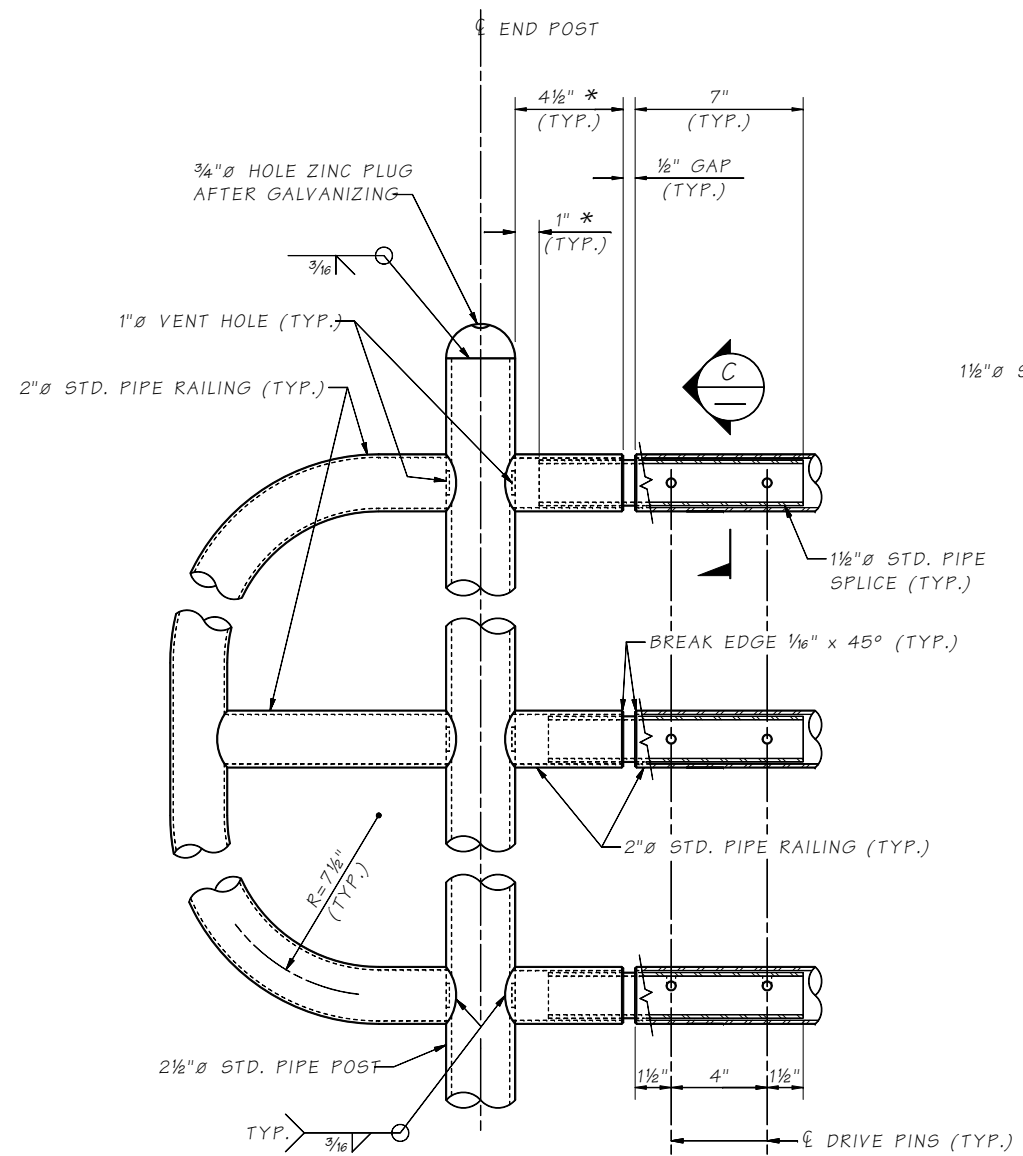


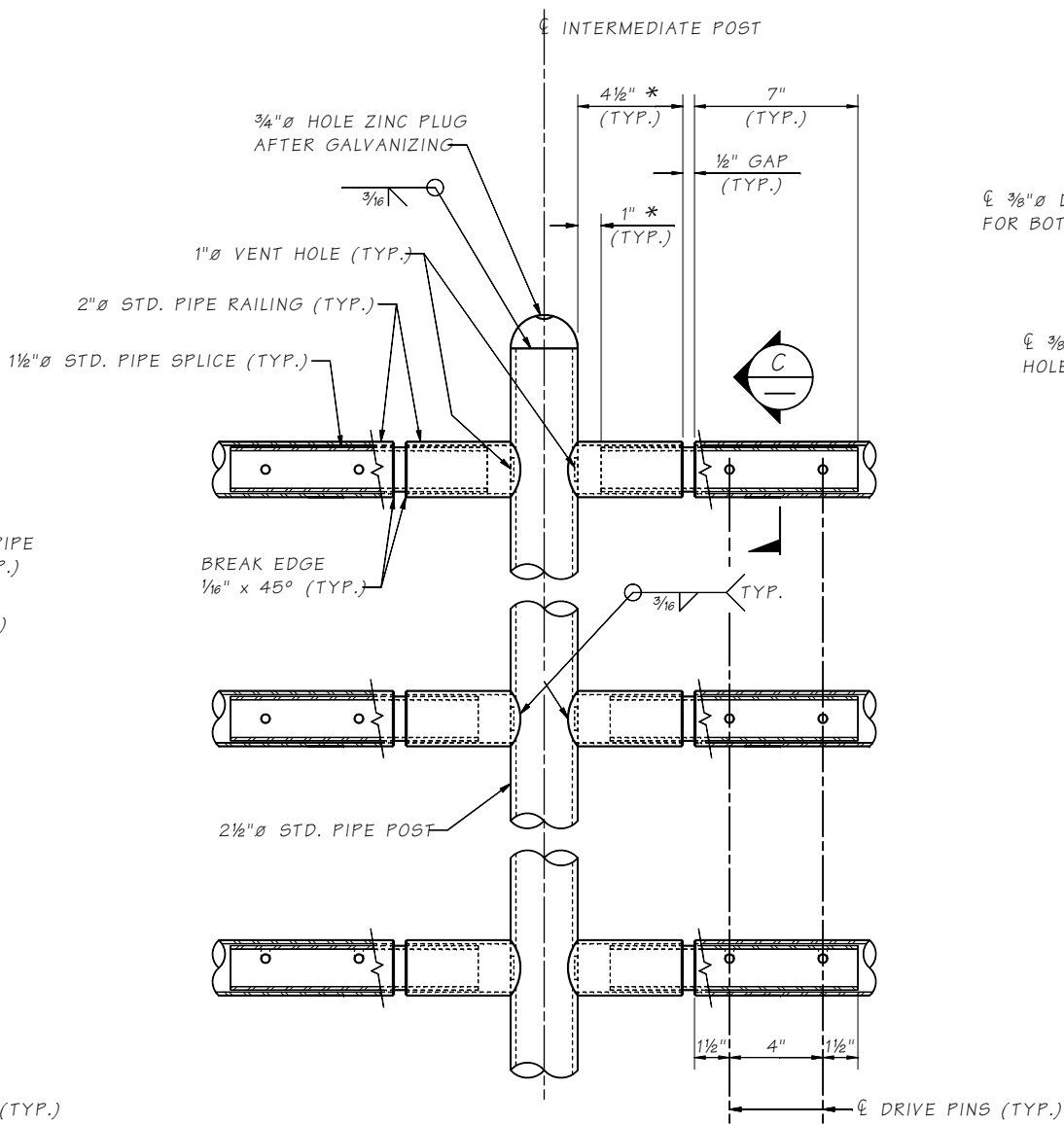
LAST REVISED: 3/7/18

SHEET

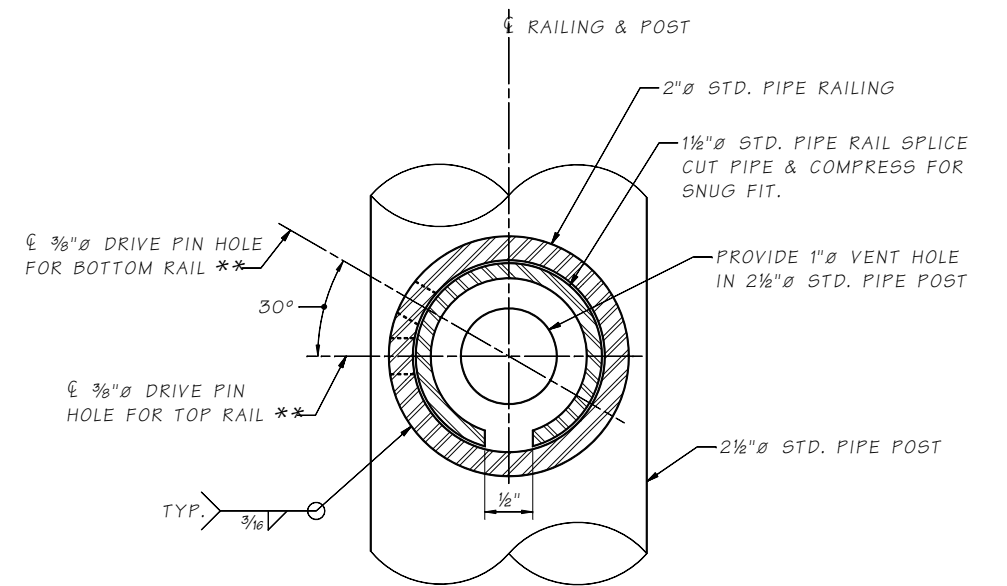
SR JOB NO. 8-1-A7-3



DETAIL 1
1 & 2

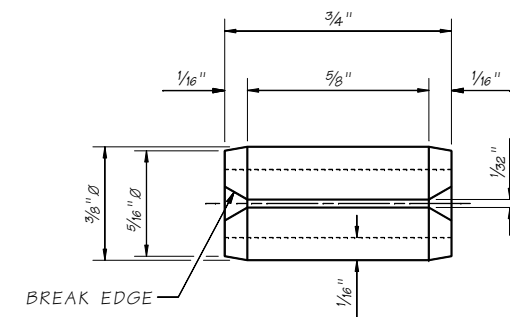


DETAIL 2
1 & 2



SECTION C

** LOCATE ON SIDE OPPOSITE BACKFILL AT TOP OF WALL. DRIVE PINS SHALL BE DRIVEN FLUSH WITH THE OUTSIDE FACE OF THE RAILING (2 PER SPLICE)



DRIVE PIN DETAIL
SLOTTED TYPE SPRING PIN (ANSI B18.8.2)

* MEASURED AT THE TOP OF THE RAIL AND PARALLEL TO THE SLOPE OF THE TOP OF THE WALL.

Bridge Design Engr.	M:\STANDARDS\Wall\PIPE RAILING\8.1-A7-3_PIPE RAILING DETAILS 3 of 3.MAN						
Supervisor			REGION NO.	STATE	FED. AID PROJ. NO.	SHEET NO.	TOTAL SHEETS
Designed By			10	WASH.			
Checked By			JOB NUMBER				
Detailed By							
Bridge Projects Engr.							
Prelim. Plan By							
Architect/Specialist	DATE	REVISION	BY	APPD			

Mon Jul 09 09:17:38 2018

BRIDGE AND STRUCTURES OFFICE



BRIDGE RAILING TYPE PIPE RAILING
DETAILS 3 OF 3

BRIDGE SHEET NO.
SHEET
OF
SHEETS