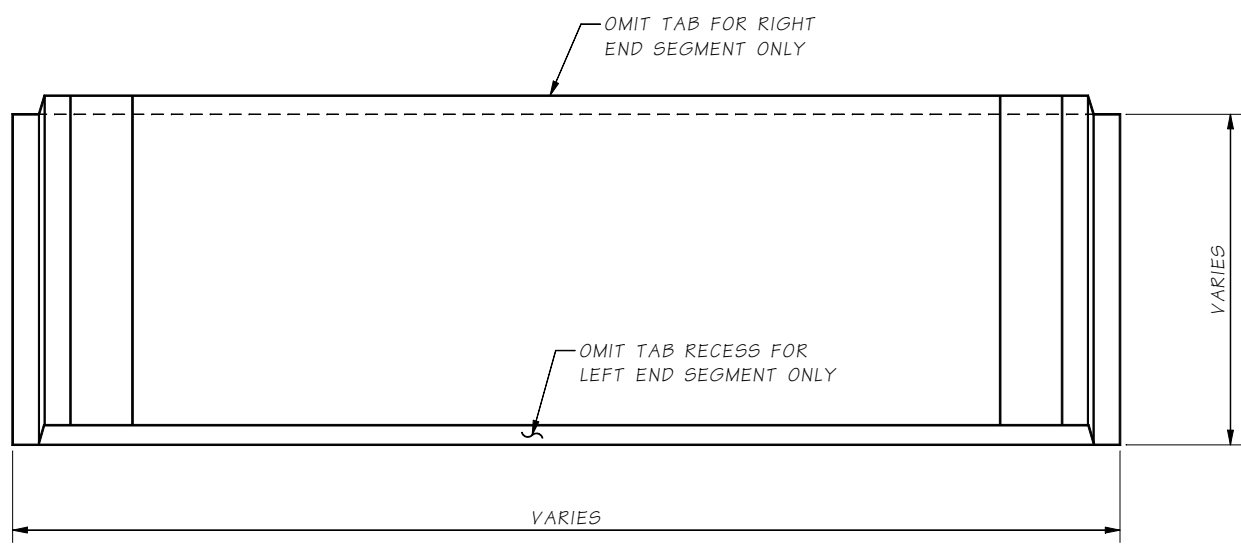
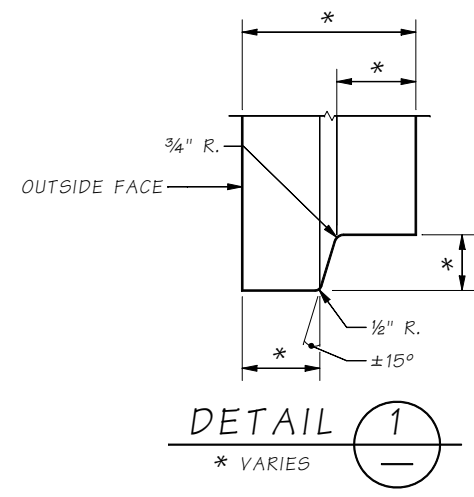


TOP UNIT PLAN VIEW

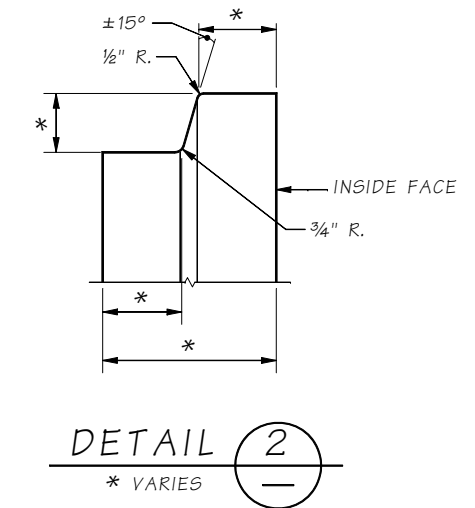
TYPICAL TOP UNIT SHOWN.
 END TOP UNITS SIMILAR UNLESS SHOWN OTHERWISE.
 SEE TABLE ON BRIDGE STD. DRAWING 8.3.2-A2 FOR DIMENSIONS



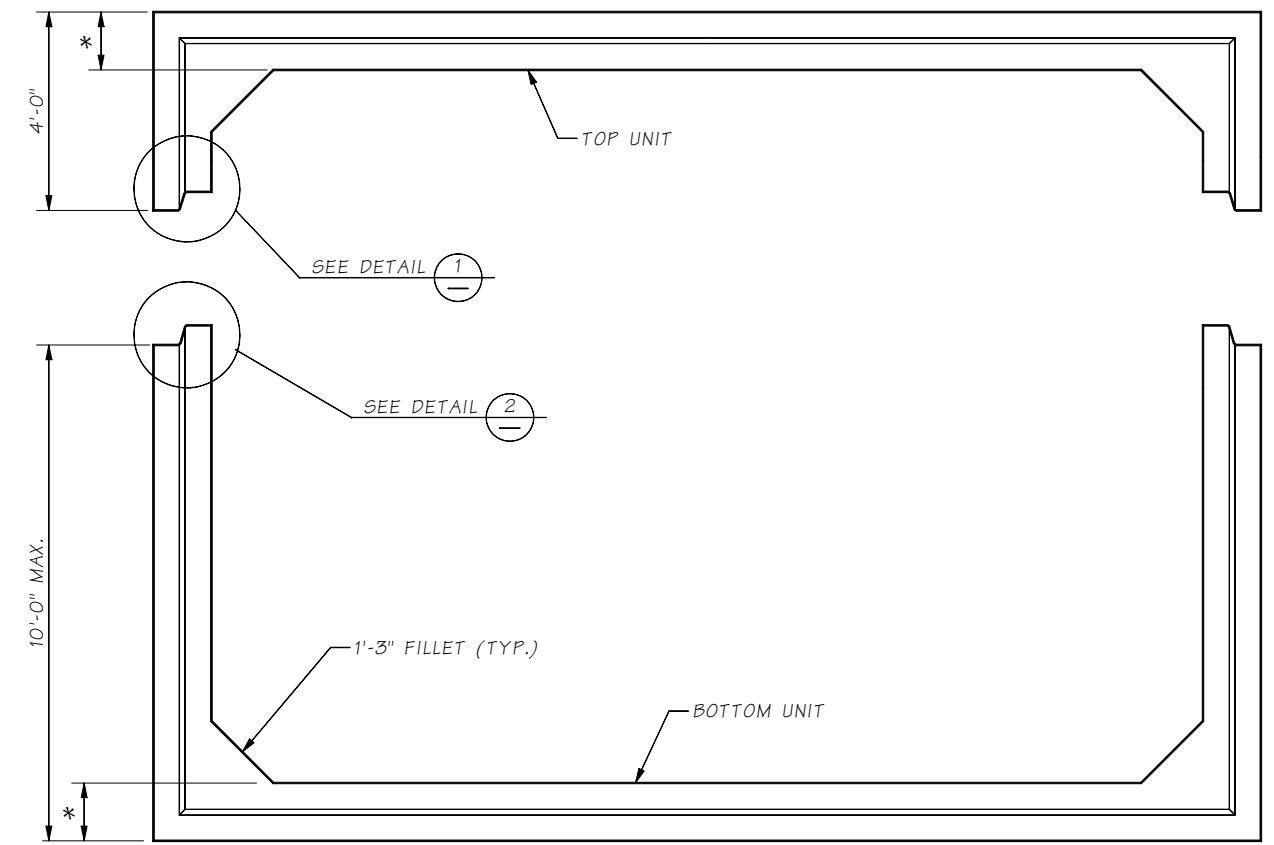
TYPICAL BOTTOM UNIT SHOWN.
 END TOP UNITS SIMILAR UNLESS SHOWN OTHERWISE.
 SEE TABLE ON BRIDGE STD. DRAWING 8.3.2-A2 FOR DIMENSIONS



DETAIL 1
 * VARIES



DETAIL 2
 * VARIES



SEGMENT TYPICAL SECTION

SHOWN LOOKING AHEAD ON STATION.
 END SEGMENTS SIMILAR UNLESS OTHERWISE SHOWN
 * VARIES

8.3.2-A10 SR FILE NO. SHEET

Bridge Design Engr.	M:\STANDARDS\Buried Structures\EXAMPLE PLANS\8.3.2-A10 EXAMPLE OF PRECAST SPLIT BOX CULVERT TYPICAL PLAN-SEC.MAN							
Supervisor				REGION NO.	STATE	FED. AID PROJ. NO.	SHEET NO.	TOTAL SHEETS
Designed By				10	WASH.			
Checked By				JOB NUMBER				
Detailed By								
Bridge Projects Engr.								
Prelim. Plan By								
Architect/Specialist	DATE	REVISION	BY	APPD				

BRIDGE AND STRUCTURES OFFICE



EXAMPLE OF PRECAST SPLIT BOX CULVERT TYPICAL PLAN AND SECTION

BRIDGE SHEET NO.
 SHEET
 OF
 SHEETS