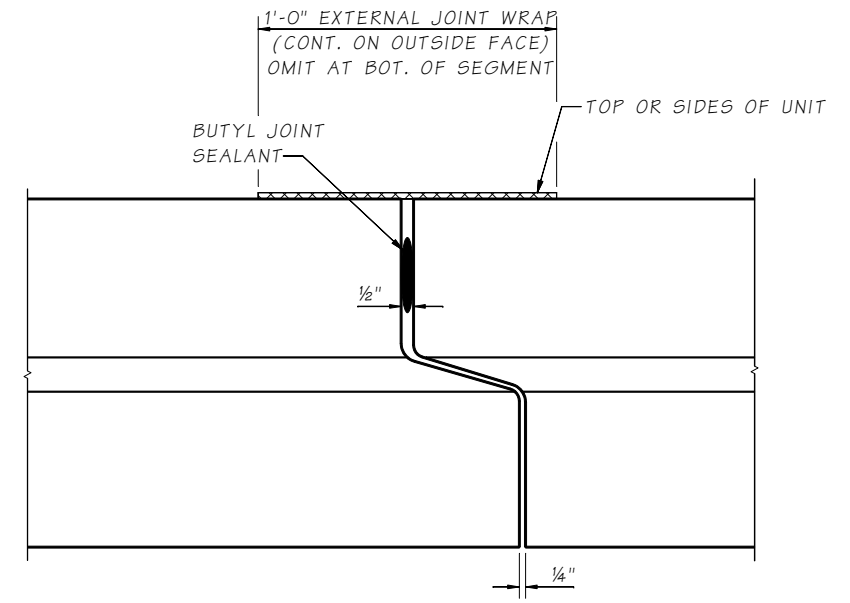
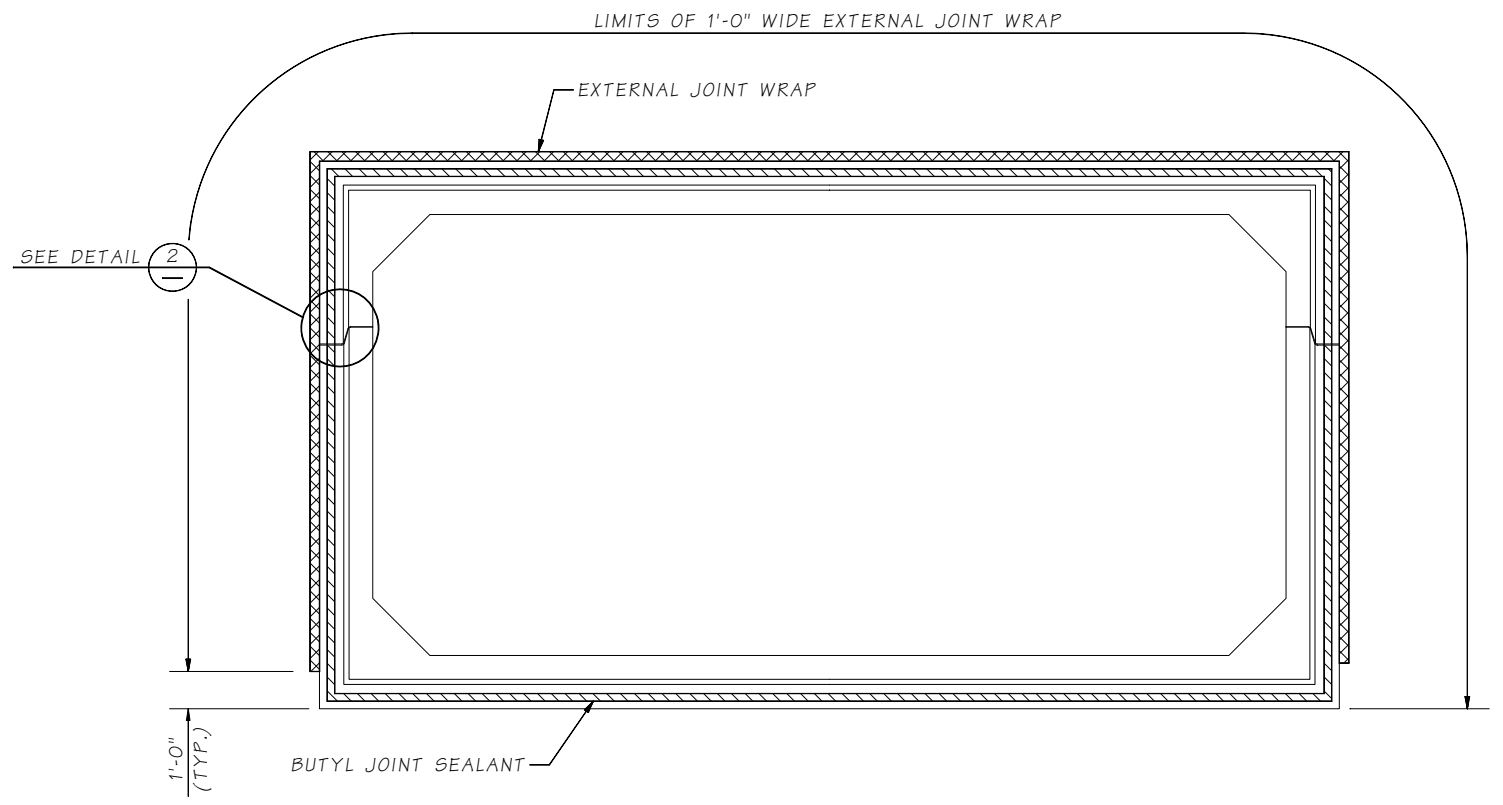


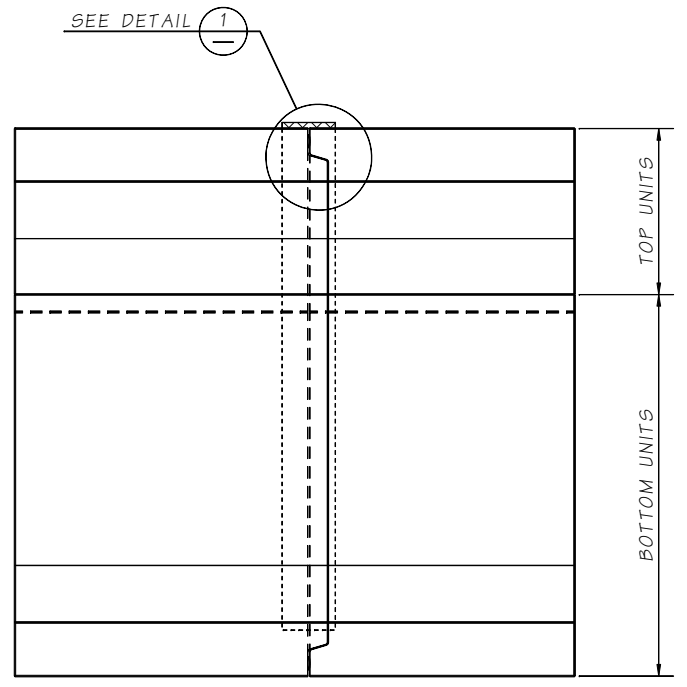
TWO SEGMENTS SHOWN (NOT PROJECT SPECIFIC)



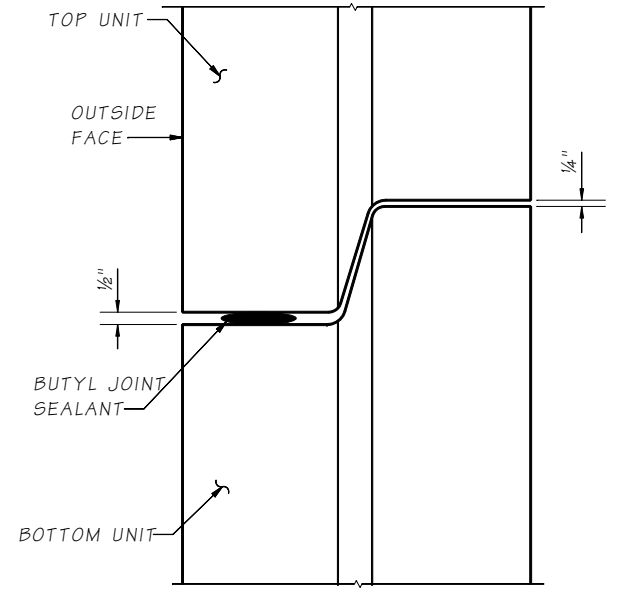
DETAIL 1



SECTION A
TYPICAL EXCEPT END
SIDE OF END UNIT



SECTION B



DETAIL 2

SR JOB NO. SHEET

8.3.2-A8

Bridge Design Engr.	M:\STANDARDS\Buried Structures\SPLIT BOX CULVERT\8.3.2-A8 JOINT SEALING DETAILS.MAN							SHEET NO.	TOTAL SHEETS
Supervisor			REGION NO.	STATE	FED. AID PROJ. NO.				
Designed By			10	WASH.					
Checked By			JOB NUMBER						
Detailed By									
Bridge Projects Engr.									
Prelim. Plan By									
Architect/Specialist	DATE	REVISION	BY	APPD					

BRIDGE AND STRUCTURES OFFICE



BRIDGE SHEET NO.

SHEET

OF

SHEETS

PRECAST SPLIT BOX CULVERT JOINT SEALING DETAILS