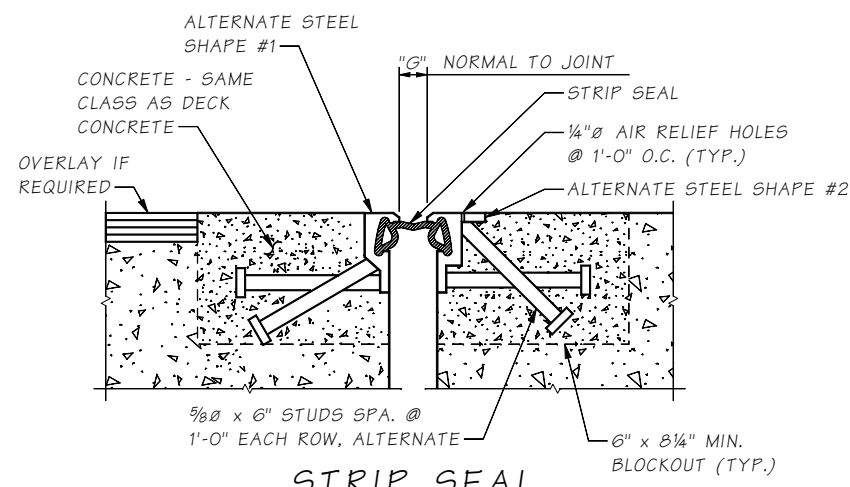
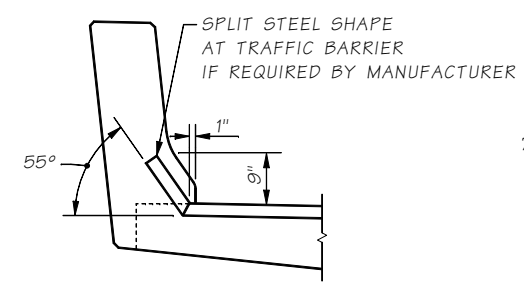


NOTE:
DESIGNER TO USE APPROPRIATE DETAILS FROM THIS SHEET AND CONSULT WITH EXPANSION JOINT SPECIALIST FOR LATEST PLAN SHEET LAYOUT, NOTES, AND UP-TO-DATE DETAILS.



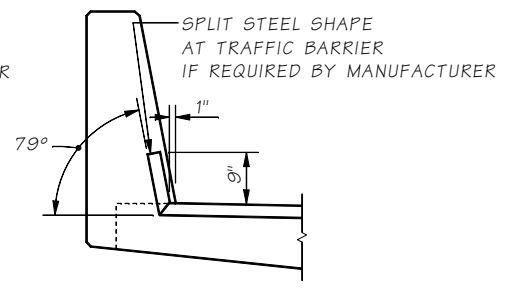
STRIP SEAL

STANDARD ANCHORAGE
USE FOR NORMAL TRAFFIC VOLUME
EXTEND SLAB STEEL INTO THE BLOCKOUT



SECTION A

FOR STRIP SEAL "F" SHAPE BARRIER

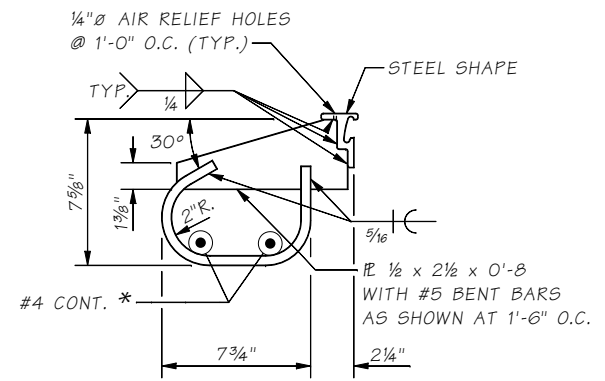


SECTION A

FOR STRIP SEAL SINGLE SLOPE BARRIER

STRIP SEAL NOTES:

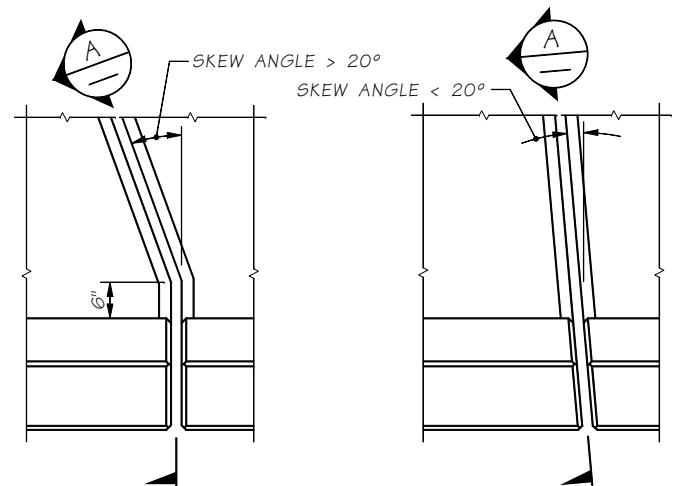
- DESIGNER SHALL INCLUDE APPROPRIATE DETAILS AND TABLES IN THE PLANS.
- SEE BDM SECTION 9.1.4B AND DESIGN EXAMPLE FOR STRIP SEAL DESIGN AND FOR DETERMINING OPENING "G" NORMAL TO THE JOINT. FILL IN AMOUNTS CALCULATED AND STEEL SHAPES SELECTED.
- FOR SKEW ANGLE GREATER THAN 30° SEE JOINT SPECIALIST.
- SEE JOINT SPECIALIST PRIOR TO SPECIFYING A 5" MOTION RANGE STRIP SEAL.
- A GROUP 1 STRIP SEAL DOES NOT ALLOW FULL CLOSURE OF STEEL SHAPES. A GROUP 2 STRIP SEAL ALLOWS FULL CLOSURE OF STEEL SHAPES.
- DO NOT USE STEEL SHAPES WITH HORIZONTAL LEGS IN CURB OR BARRIER REGION.



STRIP SEAL

SPECIAL ANCHORAGE
USE FOR HIGH TRAFFIC VOLUME
REQUIRES 9" x 1'-0" MIN. BLOCKOUT
EXTEND SLAB STEEL INTO THE BLOCKOUT
EXTEND BLOCKOUT TO EDGE OF DECK

* PLACED AFTER EXPANSION JOINT IS IN POSITION. THREAD INTO PLACE FROM THE ENDS.



PLAN EXPANSION JOINT

STEEL SHAPE TYPES

MANUFACTURER	ITEM NAME	BRIDGE DECK		TRAFFIC BARRIERS						
		T	S	TYPE	V	W	TYPE	X	Y	
D. S. BROWN	DSB STRIP SEAL	SSCM2	1 1/4"	3 3/4"	SSA2, α	1 1/4"	2"	SSE2M α	1"	1 1/2"
WATSON BOWMAN ACME	WABO STRIP SEAL	M, R, P	2 3/4"	3 1/4"	A	1 1/4"	2"	E	1 1/2"	1 1/2"
R.J. WATSON, INC.	RJ STRIP SEAL	RJM	2 3/4"	3 1/4"	RJA	1 1/4"	2"	RJE	1 1/4"	1 1/2"

α ALTERNATIVELY, TRIM VERTICAL LEG OF SSCM2 SHAPE FOR USE IN TRAFFIC BARRIER

2" MOTION RANGE

** GROUP	MANUFACTURER	ITEM NAME	OPENING "G" NORMAL TO JT.		MIN. INSTALLATION WIDTH NORMAL TO JOINT	OPENING "G" NORMAL TO JOINT		
			MIN.	MAX.		@40°F	@64°F	@80°F
1	D. S. BROWN	A2R-400 OR E2M-SEAL ψ	1/2"	4 1/2"	2"			
2	WATSON BOWMAN ACME	WABO STRIP SEAL SE-300	0"	3"	1 1/2"			
2	R.J. WATSON, INC.	R.J. STRIP SEAL 200	0"	2"	1 1/2"			

3" MOTION RANGE

** GROUP	MANUFACTURER	ITEM NAME	OPENING "G" NORMAL TO JT.		MIN. INSTALLATION WIDTH NORMAL TO JOINT	OPENING "G" NORMAL TO JOINT		
			MIN.	MAX.		@40°F	@64°F	@80°F
1	D. S. BROWN	A2R-400 OR E2M-SEAL ψ	1/2"	4 1/2"	2"			
2	WATSON BOWMAN ACME	WABO STRIP SEAL SE-300	0"	3"	1 1/2"			
2	R.J. WATSON, INC.	R.J. STRIP SEAL 300	0"	3"	1 1/2"			

4" MOTION RANGE

** GROUP	MANUFACTURER	ITEM NAME	OPENING "G" NORMAL TO JT.		MIN. INSTALLATION WIDTH NORMAL TO JOINT	OPENING "G" NORMAL TO JT.		
			MIN.	MAX.		@40°F	@64°F	@80°F
1	D. S. BROWN	A2R-400 OR E2M-SEAL ψ	1/2"	4 1/2"	2"			
2	WATSON BOWMAN ACME	WABO STRIP SEAL SE-400	0"	4"	1 1/2"			
2	R.J. WATSON, INC.	R.J. STRIP SEAL 400	0"	4"	1 1/2"			

5" MOTION RANGE

** GROUP	MANUFACTURER	ITEM NAME	OPENING "G" NORMAL TO JT.		MIN. INSTALLATION WIDTH NORMAL TO JOINT	OPENING "G" NORMAL TO JT.		
			MIN.	MAX.		@40°F	@64°F	@80°F
1	D. S. BROWN	DSB STRIP SEAL A2R-XTRA, λ	1/2"	5 1/2"	2"			
2	WATSON BOWMAN ACME	WABO STRIP SEAL SE-500	0"	5"	1 1/2"			
1	R.J. WATSON, INC.	R.J. STRIP SEAL 500	1/2"	5"	1 1/2"			

** GROUP COLUMN NOT TO BE SHOWN IN CONTRACT PLANS. FOR DESIGN PURPOSES ONLY.

ψ USE E2M-SEAL WITH SSE2M SHAPE ONLY
λ NO SEAL AVAILABLE FOR SSE2M SHAPE

LAST UPDATED: 7-27-2017

JOB NO. SHEET NO. 9.1-A2-1

Bridge Design Engr.	M:\STANDARDS\Expansion Joints\STRIP SEAL DETAILS.MAN						
Supervisor		REGION NO.	STATE	FED. AID PROJ. NO.	SHEET NO.	TOTAL SHEETS	
Designed By		10	WASH.				
Checked By		JOB NUMBER					
Detailed By							
Bridge Projects Engr.							
Prelim. Plan By							
Architect/Specialist	DATE	REVISION	BY	APP'D			

Thu Jul 27 07:19:29 2017

BRIDGE AND STRUCTURES OFFICE



EXPANSION JOINTS

EXPANSION JOINT DETAILS STRIP SEAL

BRIDGE SHEET NO.
SHEET
OF
SHEETS