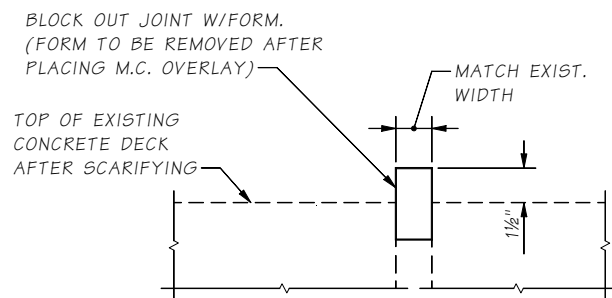
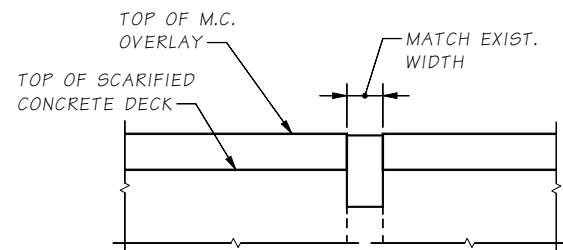


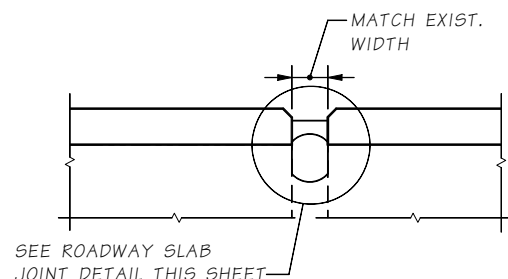
SECTION A
CONSTRUCTION STEP 1
EXISTING EXPANSION JOINT



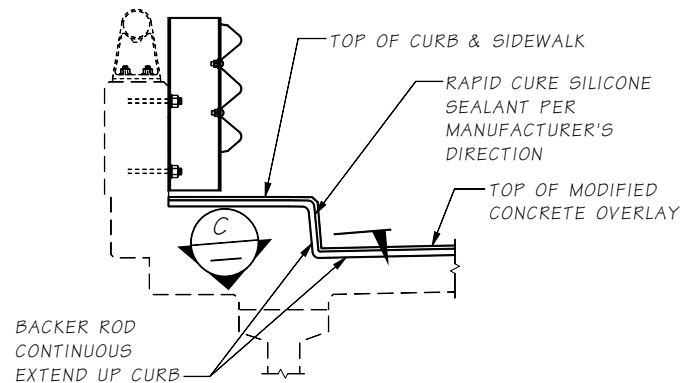
SECTION A
CONSTRUCTION STEP 4



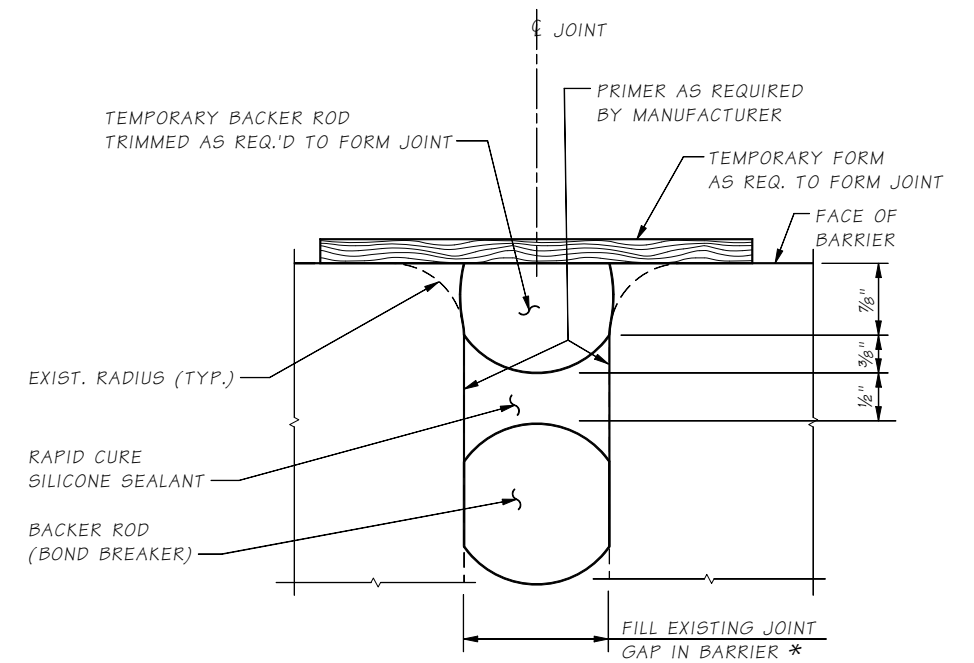
SECTION A
CONSTRUCTION STEP 5



SECTION A
STEPS 6-9



SECTION B
XX
RETROFIT AT CURB & SIDEWALK

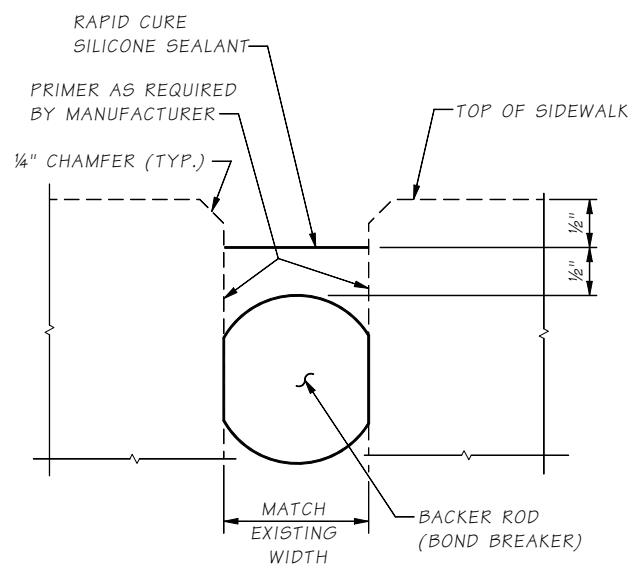


SECTION C
EXPANSION JOINT MODIFICATION AT EXISTING BARRIER OR CURB

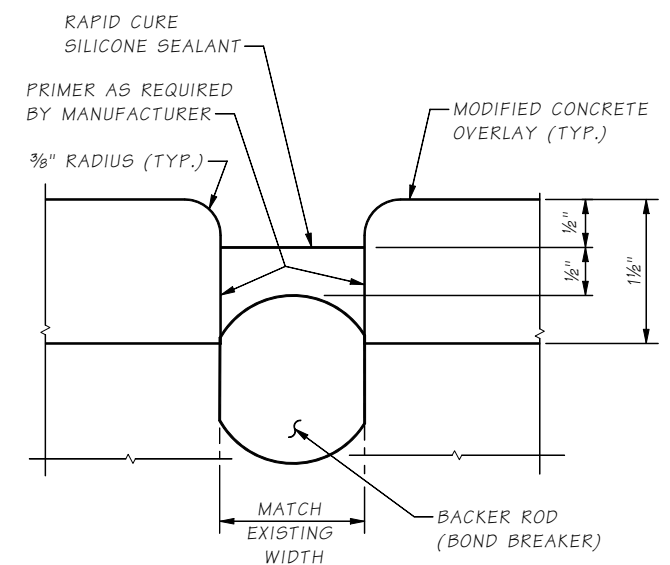
NOTE TO DESIGNER:
CONSTRUCTION STEPS ARE FOR USE WHEN APPLYING A MODIFIED CONCRETE OVERLAY ONLY.

CONSTRUCTION STEPS:

1. REMOVE EXISTING POURED RUBBER & JOINT FILLER MATERIAL FROM EXPANSION JOINT.
2. CLEAN SIDES AND BOTTOM OF JOINT OPENING TO CLEAN AND SOUND CONCRETE.
3. BLOW JOINT OPENING WITH OIL-FREE COMPRESSED AIR TO REMOVE LAITANCE AND DEBRIS FROM REMOVAL OPERATIONS.
4. PLACE FORM IN EXISTING JOINT OPENING TO A HEIGHT LEVEL WITH THE FINAL ROADWAY ELEVATION.
5. PLACE MODIFIED CONCRETE OVERLAY TO FINAL RDW'Y ELEVATION.
6. REMOVE FORM FROM JOINT OPENING AND LIGHTLY SANDBLAST TO REMOVE ALL RESIDUE.
7. PLACE AN APPROPRIATELY SIZED BACKER ROD TO THE CORRECT DEPTH IN JOINT OPENING IN ACCORDANCE WITH SEALANT MANUFACTURER'S DIRECTIONS.
8. PLACE RAPID CURE SILICON SEALANT IN ACCORDANCE WITH MANUFACTURER'S DIRECTIONS.



EXPANSION JOINT DETAIL
EXPANSION JOINT MODIFICATION AT SIDEWALK



EXPANSION JOINT DETAIL
EXPANSION JOINT MODIFICATION AT ROADWAY SLAB

| | | | | | | | |
|-----------------------|---|----------|------------|-------|--------------------|-----------|--------------|
| Bridge Design Engr. | M:\STANDARDS\Expansion Joints\SILICONE SEAL DETAILS.MAN | | | | | | |
| Supervisor | | | REGION NO. | STATE | FED. AID PROJ. NO. | SHEET NO. | TOTAL SHEETS |
| Designed By | | | 10 | WASH. | | | |
| Checked By | | | JOB NUMBER | | | | |
| Detailed By | | | | | | | |
| Bridge Projects Engr. | | | | | | | |
| Prelim. Plan By | | | | | | | |
| Architect/Specialist | DATE | REVISION | BY | APP'D | | | |

BRIDGE AND STRUCTURES OFFICE



EXPANSION JOINTS

SILICONE SEAL EXPANSION JOINT DETAILS

BRIDGE SHEET NO.
SHEET
OF
SHEETS

SR JOB NO. SHEET 9.1-A3-1