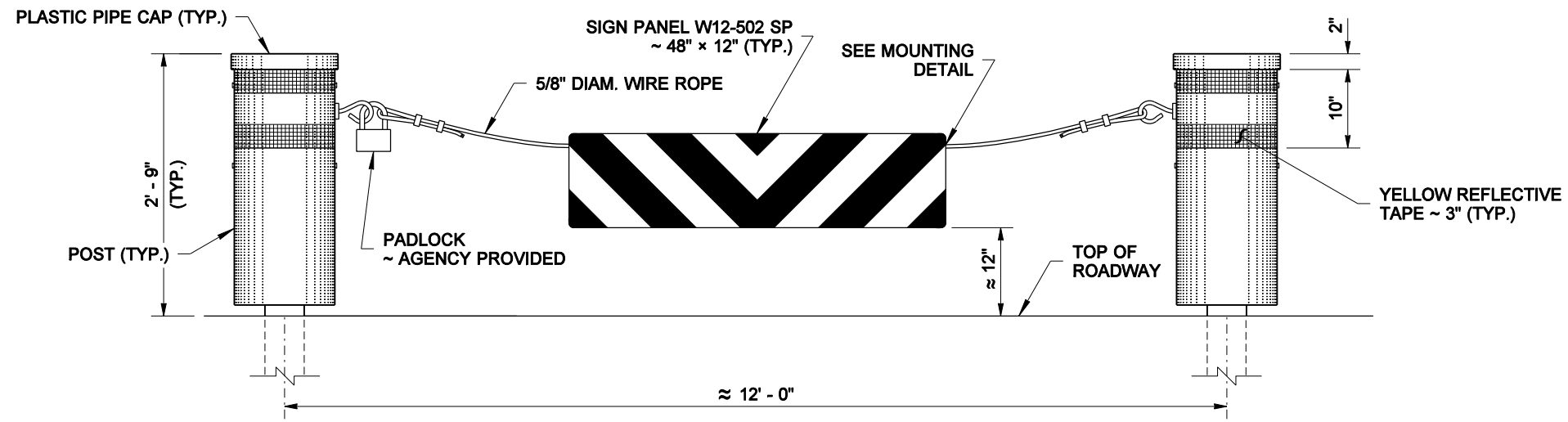


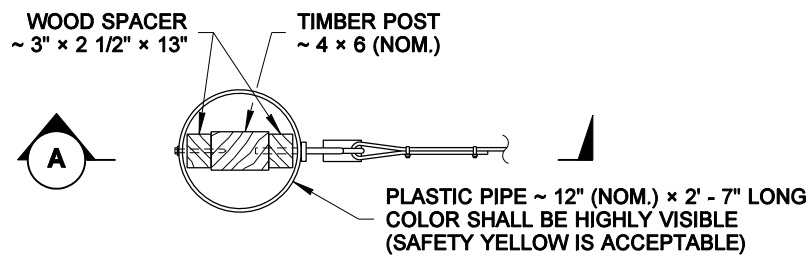
DRAWN BY: BILL BERENS



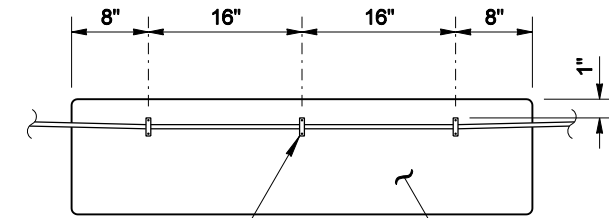
ELEVATION

NOTE

Hardware shall be stainless steel or galvanized in accordance with AASHTO M232.

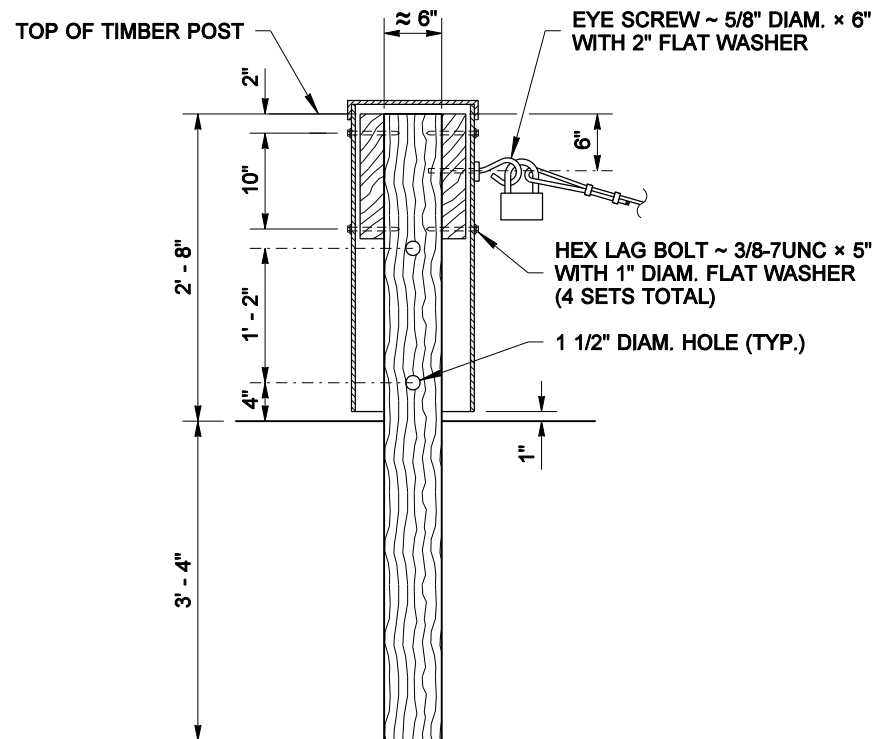


TOP VIEW
(CAP NOT SHOWN)
END POST



5/8" S.S. EYE STRAP ~ FASTENED TO THE SIGN PANEL WITH 2 1/8" DIAM. SCREWS AND 2 HEX NUTS (TYP.)
SIDE OPPOSITE STRIPES

SIGN PANEL MOUNTING DETAIL



SECTION A



EXPIRES JUNE 19, 2008

NOTE: THIS PLAN IS NOT A LEGAL ENGINEERING DOCUMENT UNLESS IT IS APPROVED AND SIGNED BY THE ENGINEER WHO PREPARED IT. FOR COUNTERS, SEE ON FILE AT THE WASHINGTON STATE DEPARTMENT OF TRANSPORTATION. A COPY MAY BE OBTAINED UPON REQUEST.

ACCESS CONTROL GATE

STANDARD PLAN L-70.10-01

SHEET 1 OF 1 SHEET

APPROVED FOR PUBLICATION

Pasco Bakotich III 05-21-08
STATE DESIGN ENGINEER DATE

