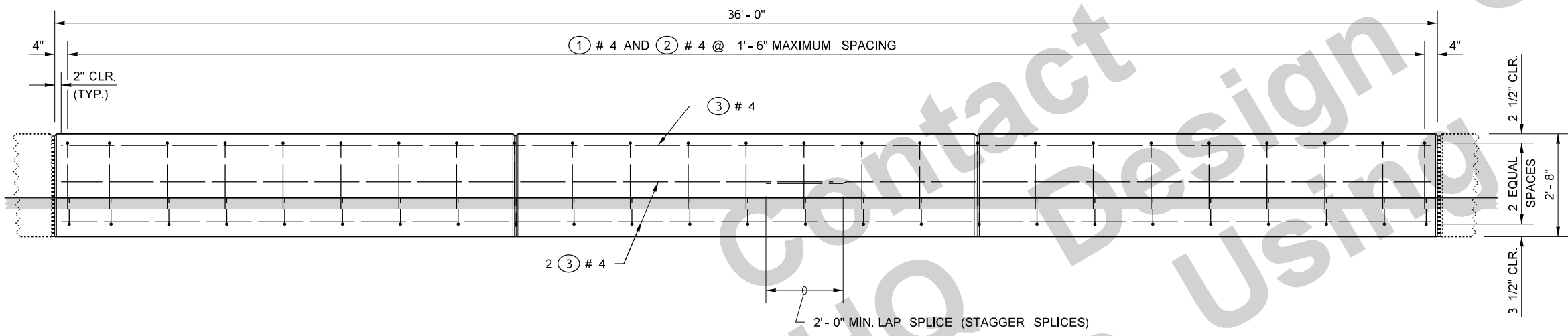
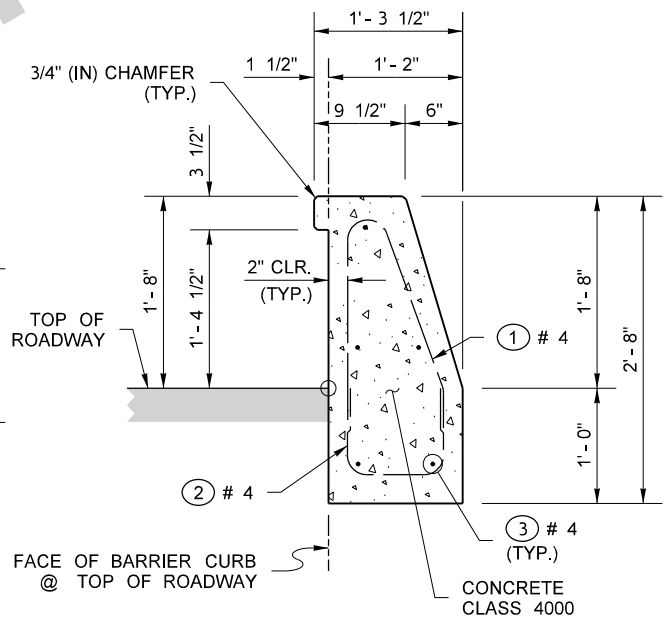


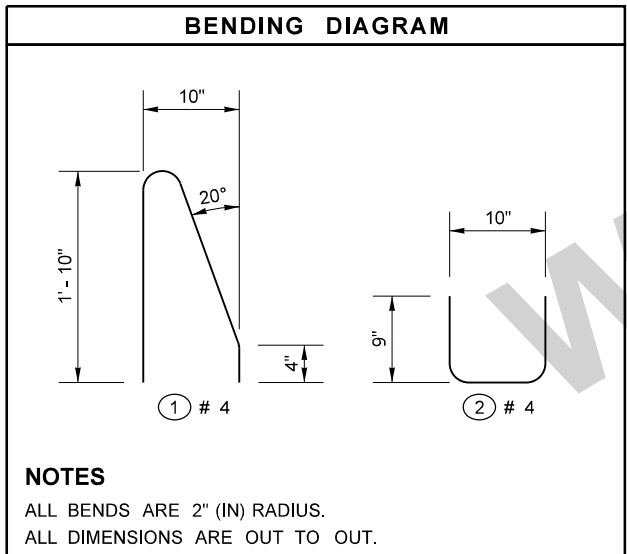
PLAN



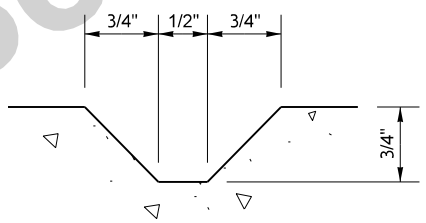
ELEVATION



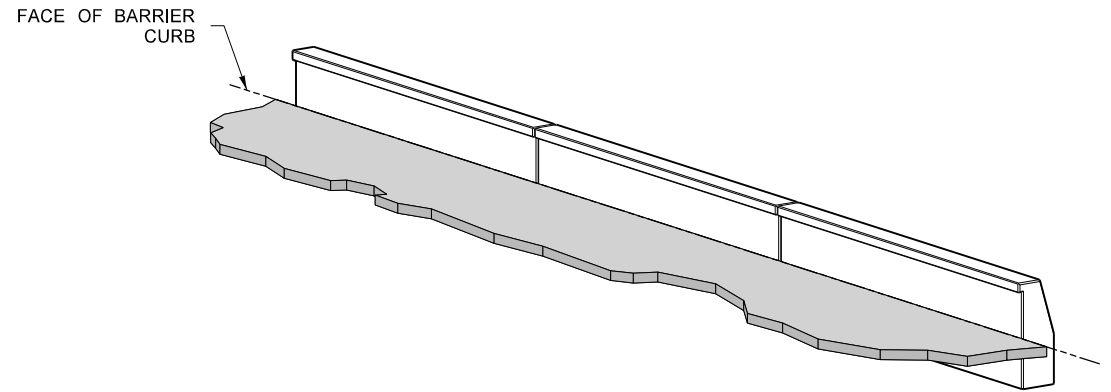
TYPICAL SECTION



**NOTES**  
 ALL BENDS ARE 2" (IN) RADIUS.  
 ALL DIMENSIONS ARE OUT TO OUT.




DUMMY JOINT



OBLIQUE VIEW

**LOW PROFILE BARRIER CURB TYPE 2 (CAST-IN-PLACE)**

FILE NAME	S:\Design R P& S\4-Standards\2-Plan Sheet Library\01-Master PSL\TB Traffic Barrier\TB-14\TB-14.dgn	REGION NO.	STATE	FED.AID PROJ.NO.	 Washington State Department of Transportation	Plot 1
TIME	8:21:02 AM	WASH				PLAN REF NO
DATE	10/10/2023					TB-14
PLOTTED BY	liddelf	JOB NUMBER				SHEET 1 OF 1 SHEETS
DESIGNED BY		CONTRACT NO.		LOCATION NO.		
ENTERED BY						
CHECKED BY						
PROJ. ENGR.						
REGIONAL ADM.		REVISION	DATE	BY		LOW PROFILE BARRIER CURB TYPE 2