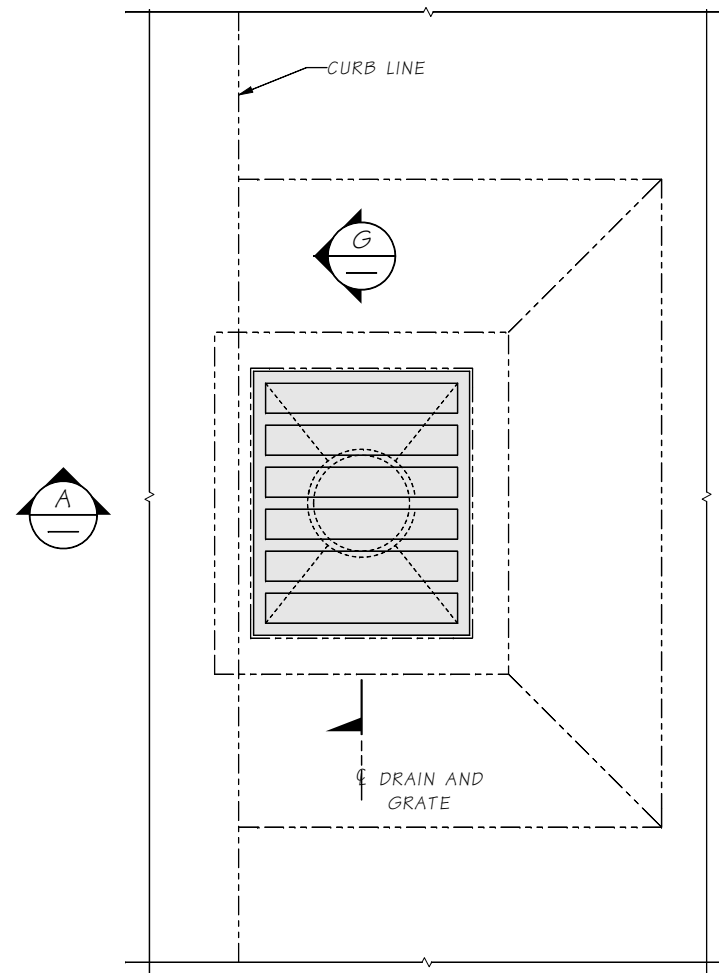


LAST REVISED: 01/04/15

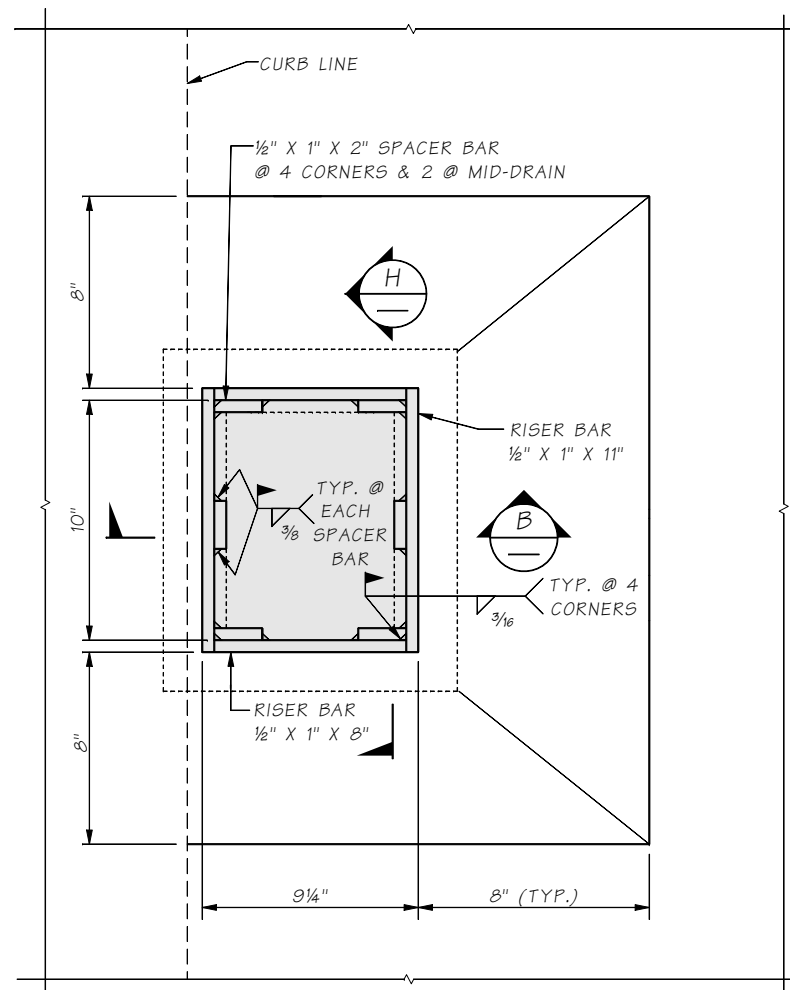
1 SHEET

SR JOB NO.

10.11-A1-2

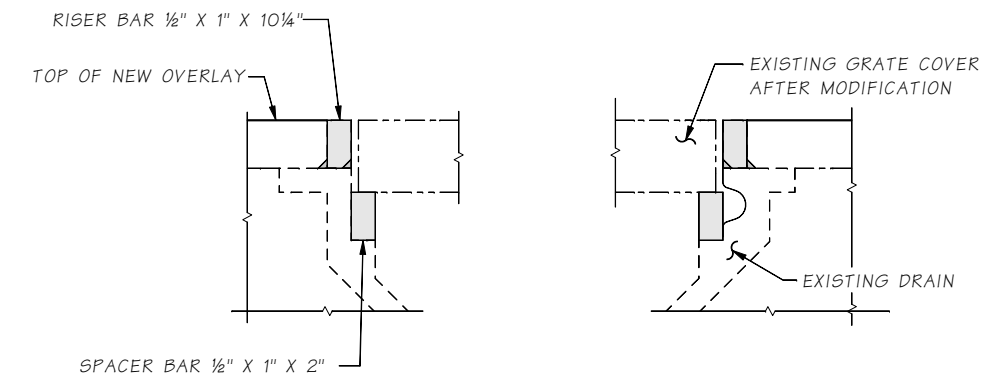


PLAN - EXISTING DRAIN

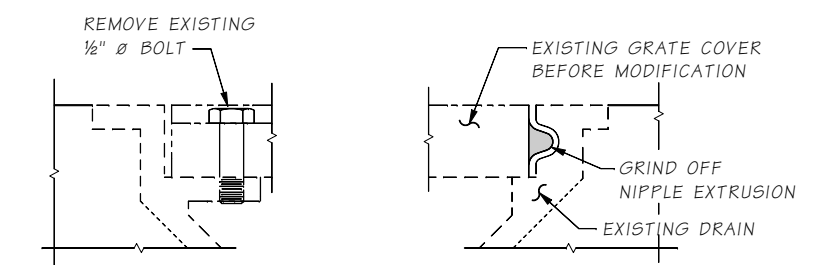


PLAN AFTER RETROFIT

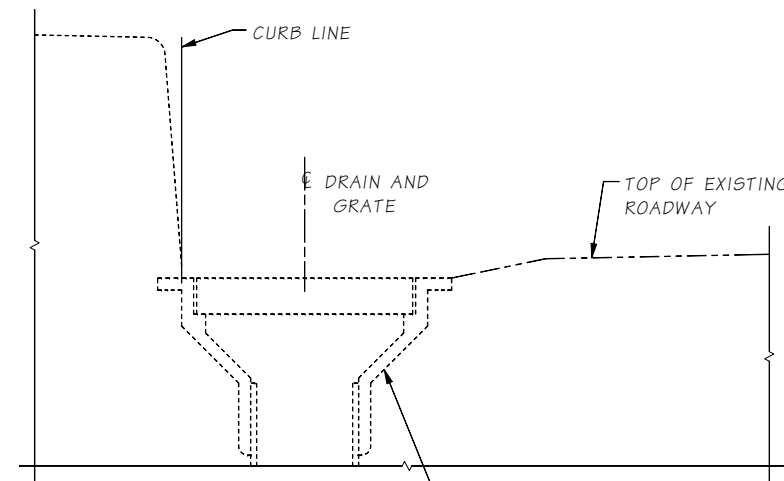
EXISTING DRAIN GRATE NOT SHOWN
REUSE GRATE AFTER MODIFICATION



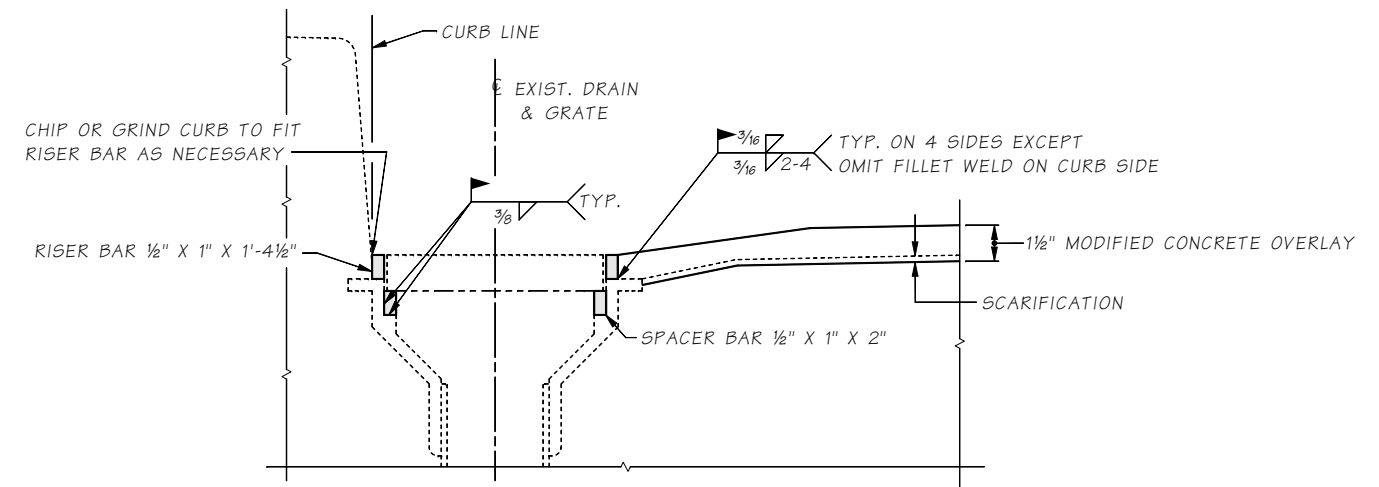
SECTION H



SECTION G



SECTION A
EXISTING CONDITION
16 REQUIRED



SECTION B
MODIFIED CONDITION

Bridge Design Engr.	M:\STANDARDS\Drainage\RAIN TYPE 2 THRU 5 MOD DETAIL.MAN					REGION NO.	STATE	FED. AID PROJ. NO.	SHEET NO.	TOTAL SHEETS
Supervisor		10	WASH.							
Designed By										
Checked By										
Detailed By										
Bridge Projects Engr.										
Prelim. Plan By										
Architect/Specialist	DATE	REVISION	BY	APP'D						

Wed Jun 24 12:46:37 2015

BRIDGE AND STRUCTURES OFFICE



BRIDGE DRAIN MODIFICATION

BRIDGE DRAIN TYPES 2 THRU 5
MODIFICATION FOR OVERLAY

BRIDGE SHEET NO.
SHEET
OF
SHEETS