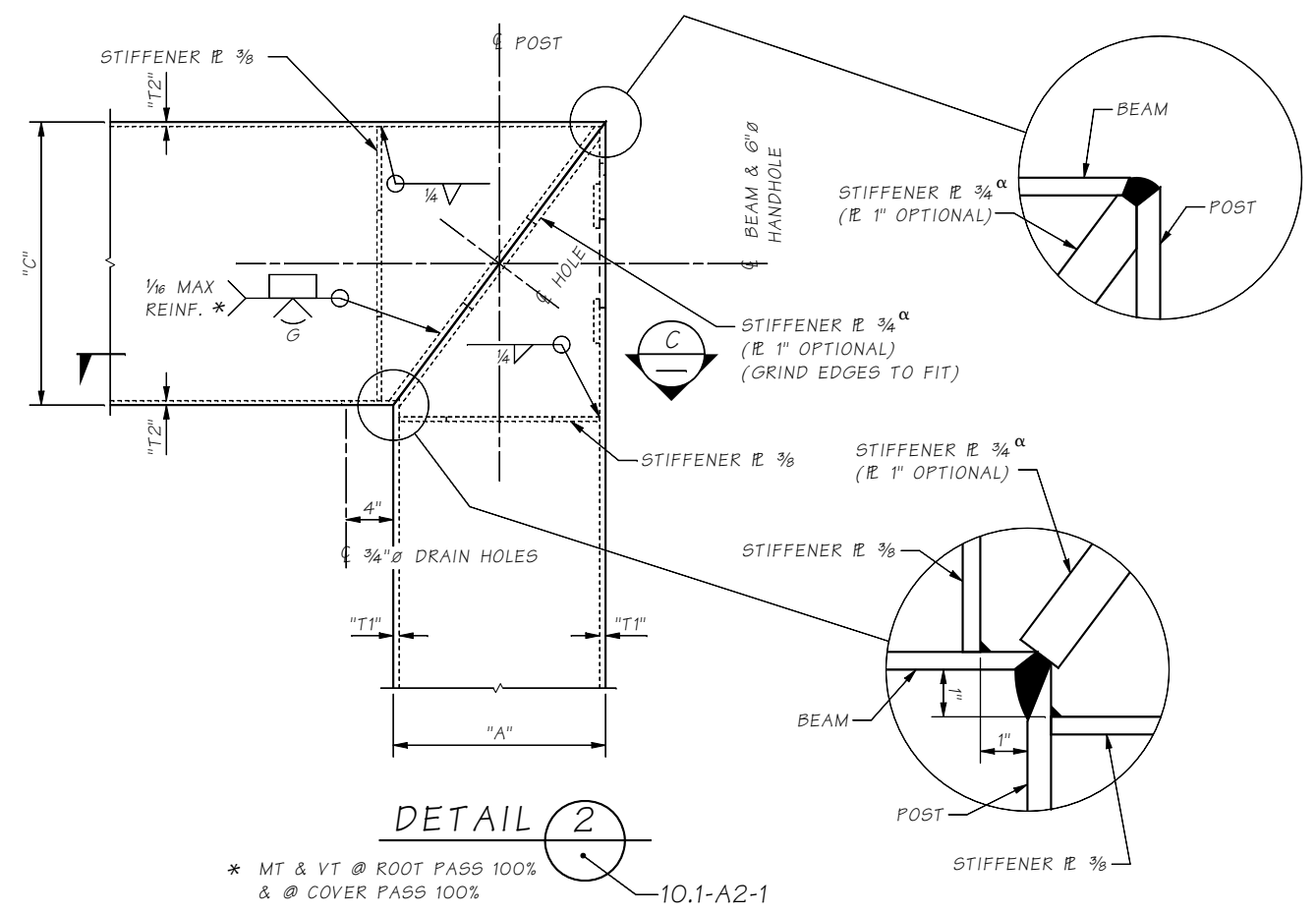
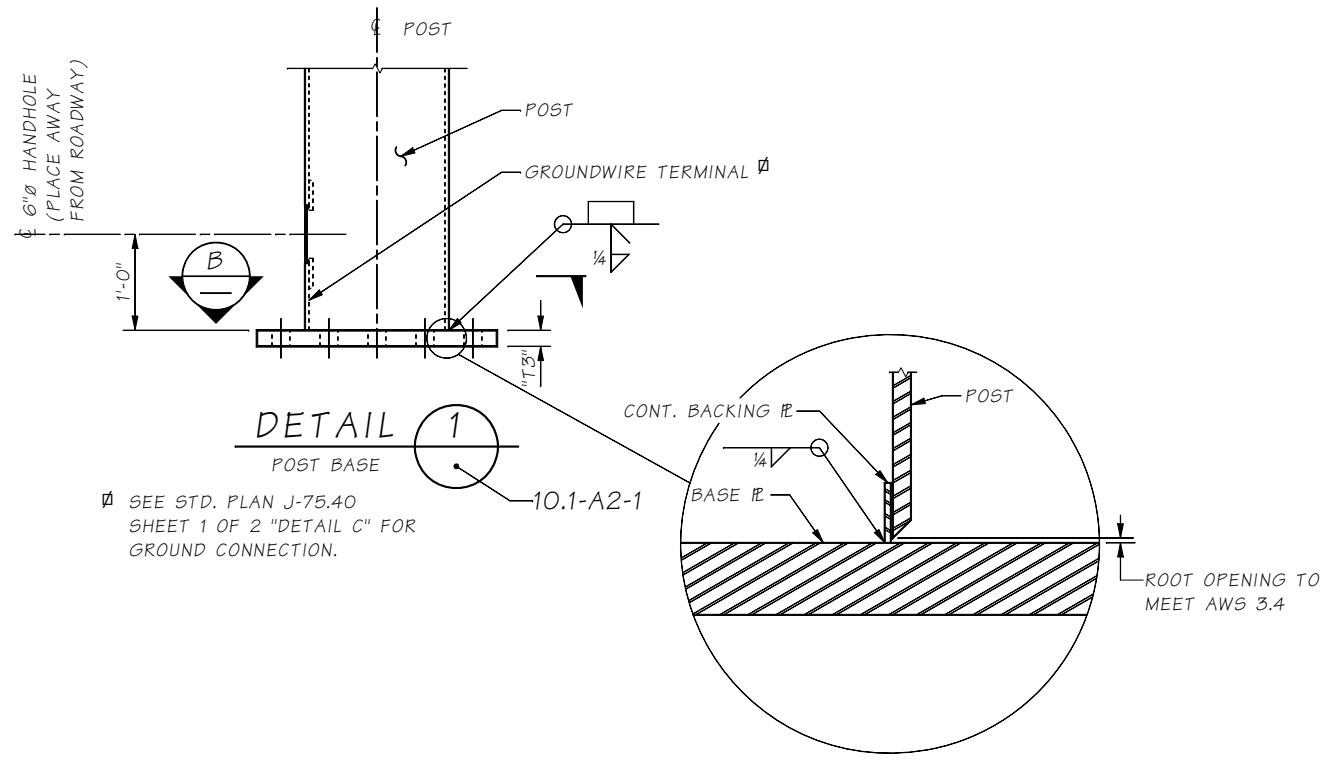


Last revised on : 04/19/2019

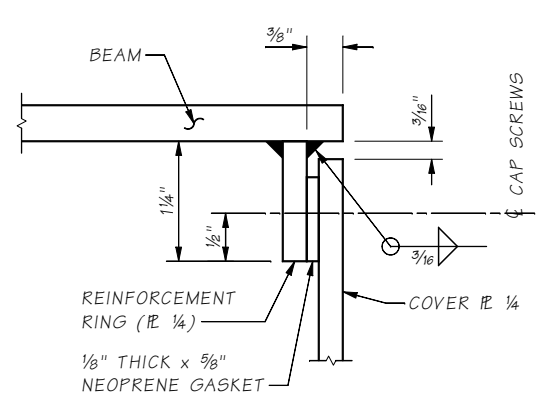
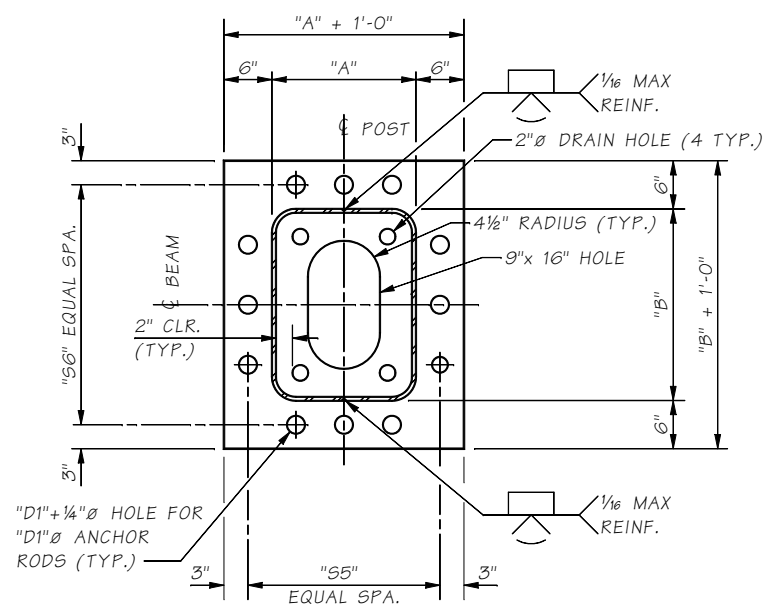
10.1-A2-2

SHEET NO.

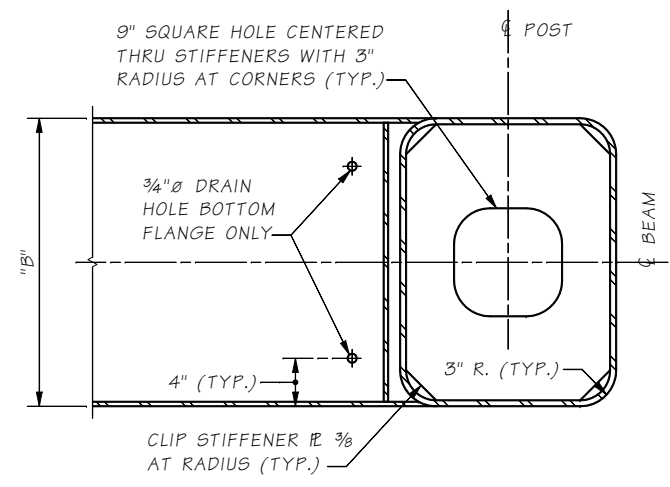


* MT & VT @ ROOT PASS 100%
& @ COVER PASS 100%

α PLACE VENT HOLES IN CORNERS
OF STIFFENER 1/4 AS REQUIRED
FOR GALVANIZING PROCESS.



FOR CANTILEVER STRUCTURES ONLY.
1/4" CAP SCREWS ASTM F-593 ~
TAP REINFORCEMENT RING WITH 8
TOTAL EQUALLY SPACED AROUND COVER 1/4



Bridge Design Engr.	M:\STANDARDS\Sign Bridges\MT_CANT_STRUCT_DETAILS_1.MAN	REGION NO.	STATE	FED. AID PROJ. NO.	SHEET NO.	TOTAL SHEETS
Supervisor		10	WASH.			
Designed By		JOB NUMBER				
Checked By						
Detailed By						
Bridge Projects Engr.						
Prelim. Plan By						
Architect/Specialist	DATE	REVISION	BY	APPD		

Wed Apr 24 13:17:30 2019

BRIDGE
AND
STRUCTURES
OFFICE



STANDARD MONOTUBE
SIGN STRUCTURES

MONOTUBE CANTILEVER
STRUCTURAL DETAILS 1

BRIDGE
SHEET
NO.

SHEET

OF

SHEETS